

SSF102.40

Lavoce

10" SUBWOOFER

FERRITE MAGNET
STEEL BASKET DRIVER



- 2.4 INCH CCAW VOICE COIL
- 87 dB/SPL SENSITIVITY
- 500 WATT PROGRAM POWER HANDLING
- 24.6 mm (0.9 INCH) PEAK TO PEAK MAXIMUM EXCURSION
- FEM OPTIMIZED MOTOR AND SUSPENSIONS
- 83 mm INSTALLATION DEPTH
- RESONANCE FREE AND HEAVY DUTY BASKET DESIGN
- RUBBER SURROUND MATERIAL

GENERAL SPECIFICATIONS

| | | |
|----------------------------------|---------------------------|-------------------------------------|
| Nominal diameter | mm (in.) | 250 (10) |
| Nominal impedance | Ω | 8 |
| Minimum impedance | Ω | 7,7 |
| Program power (1) | W | 500 |
| AES Power rating (2) | W | 250 |
| Sensitivity (3) | dB | 87 |
| Frequency range | Hz | 40 ÷ 500 |
| Voice coil diameter | mm (in.) | 61 (2.4) |
| Chassis material | Steel | |
| Magnet material | Ferrite | |
| Magnet dimensions OD x ID x h | mm (in.) | 140 x 70 x 20 (5.5 x 2.8 x 0.79) |
| Coil material | CCAW | |
| Former material | Glass Fiber | |
| Cone material | Water Proof Treated Paper | |
| Surround material | Rubber | |
| Xmax (4) | mm (in.) | 8,3 (0.33) |
| Xmech (5) | mm (in.) | 12,3 (0.48) |
| Gap height | mm (in.) | 8 (0.31) |
| Voice coil winding height | mm (in.) | 20,5 (0.81) |
| Driver displacement volume | l (ft ³) | 1,5 (0.03) |

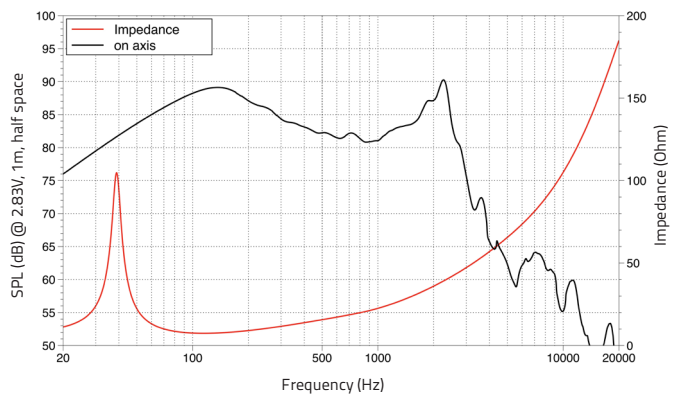
SMALL SIGNAL PARAMETERS

| | | | |
|-----------------------|-------|-------------------------------------|------------|
| DC resistance | Re | Ohm | 6,7 |
| Resonance frequency | Fs | Hz | 38 |
| Moving mass | Mms | g (oz) | 73,4 (2.6) |
| Compliance | Cms | mm/N | 0,22 |
| Force factor | BxL | N/A | 14 |
| Mechanical Q-factor | Qms | | 8,9 |
| Electrical Q-factor | Qes | | 0,61 |
| Total Q-factor | Qts | | 0,57 |
| Equivalent air volume | Vas | l (ft ³) | 42 (1.5) |
| Voice coil Inductance | Le | mH | 2,4 |
| Diaphragm area | Sd | cm ² (in. ²) | 363 (14.3) |
| Reference efficiency | Eta 0 | % | 0,4 |

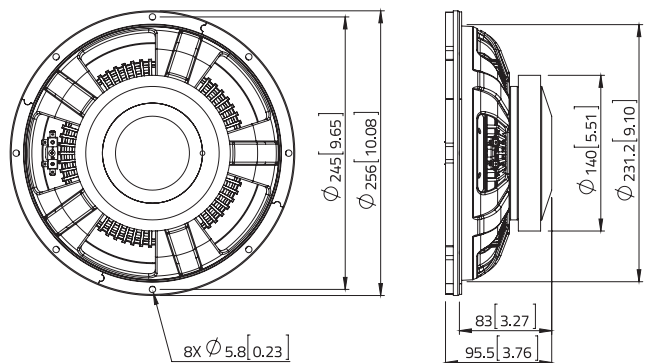
SHIPPING INFORMATION

| | | |
|--------------------|----------|--------------------------------------|
| Net weight | kg (lb.) | 3,5 (7.6) |
| Multipack size (1) | mm (in.) | 300 x 300 x 126 (11.8 x 11.8 x 5) |
| Multipack weight | kg (lb.) | 4,3 (9.4) |

FREQUENCY RESPONSE



DIMENSIONS mm (in.)



(1) Program power is defined as 3 dB greater than AES Power. (2) Tested for two hours using a continuous, band-limited pink noise signal as per AES 2-1984 Rev. 2003. Loudspeaker tested in free air. (3) From T/S parameters, measured with Klippel DA LPM module. (4) The Xmax is calculated as: $(Hvc - Hg)/2 + Hg/4$. Hvc is the voice coil height and Hg the gap height. (5) The Xmech is calculated as: $(Hvc - Hg)/2 + (Hg - 2)$. Hvc is the voice coil height and Hg the gap height. (6) Thiele-Small parameters are measured after preconditioning: a) at 20°C - 22°C, 50% humidity for 2 hours; b) by Klippel LSI measurement.

All specifications subject to change without notice_B.a

