

# TN100.70

Lavoce

## 1" SOFT DOME TWEETER

NEODYMIUM MAGNET



- 0.75 INCH CCAW VOICE COIL
- 90 dB/SPL SENSITIVITY
- 15 WATT PROGRAM POWER HANDLING
- FEM OPTIMIZED MOTOR AND SUSPENSIONS
- TEXTILE DIAPHRAGM

### GENERAL SPECIFICATIONS

|  |          |              |
|--|----------|--------------|
| Nominal diameter                       | mm (in.) | 25 (1)       |
| Nominal impedance                      | $\Omega$ | 8            |
| Minimum impedance                      | $\Omega$ | 6,3          |
| Program power (1)                      | W        | 15           |
| AES power above 2.5 kHz (12dB/oct) (2) | W        | 7,5          |
| Sensitivity (3)                        | dB       | 90           |
| Frequency range                        | Hz       | 1500 ÷ 30000 |
| Voice coil diameter                    | mm (in.) | 20 (0.75)    |
| Magnet material                        |          | Neodymium    |
| Coil material                          |          | CCA W        |
| Former material                        |          | Polyimide    |
| Diaphragm and Surround material        |          | Textile      |
| Ferrofluid                             |          | YES          |

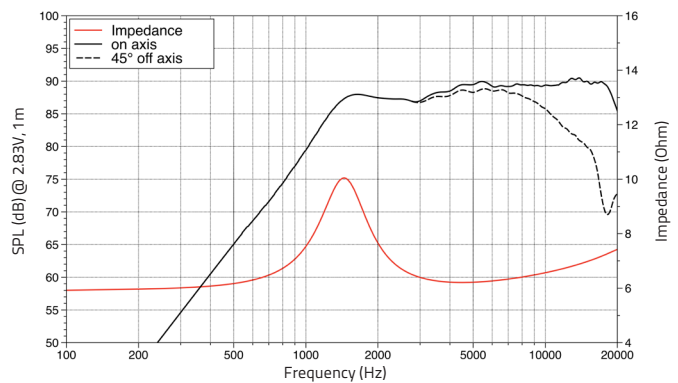
### SMALL SIGNAL PARAMETERS

|                       |     |                                     |             |
|-----------------------|-----|-------------------------------------|-------------|
| DC resistance         | Re  | Ohm                                 | 5,9         |
| Resonance frequency   | Fs  | Hz                                  | 1500        |
| Moving mass           | Mms | g (oz)                              | 0,16 (0.01) |
| Compliance            | Cms | mm/N                                | 0,070       |
| Force factor          | BxL | N/A                                 | 1,75        |
| Mechanical Q-factor   | Qms |                                     | 2           |
| Electrical Q-factor   | Qes |                                     | 2,9         |
| Total Q-factor        | Qts |                                     | 1,2         |
| Voice coil inductance | Le  | mH                                  | 0,030       |
| Diaphragm area        | Sd  | cm <sup>2</sup> (in. <sup>2</sup> ) | 8 (1.24)    |

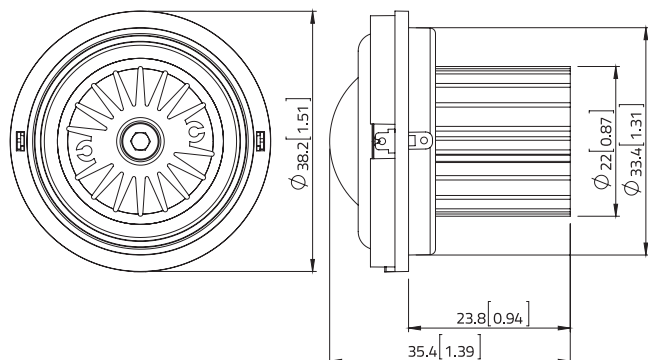
### SHIPPING INFORMATION

|                      |          |                                     |
|----------------------|----------|-------------------------------------|
| Net weight           | kg (lb.) | 0,05 (0.1)                          |
| Multipack size (100) | mm (in.) | 307 x 307 x 200 (12.1 x 12.1 x 7.9) |
| Multipack weight     | kg (lb.) | 7,1 (15.6)                          |

### FREQUENCY RESPONSE



### DIMENSIONS mm (in.)



(1) Program power is defined as 3 dB greater than AES Power. (2) Tested with heat sink for two hours using a continuous, band-limited pink noise signal as per AES 2-1984 Rev. 2003. (3) Measured on axis at 2.83V, 1m, halfspace, average SPL in the frequency range

All specifications subject to change without notice\_B.a

