



MARKAUDIO TOZZI ONE KIT

The Tozzi One is a compact high-fidelity pure point source loudspeaker system that is easy to self-assemble and when completed, becomes a high-class product that stands above other loudspeaker kits.

Tozzi One was designed by Mark Fenlon, and its styling echoes his interest in professional style photography. The colour co-ordinated cabinets are formed from three sub-assemblies created with an ultra-high pressure injection moulding process used for components that require a high level of engineering accuracy such as (insert interesting example here). Three colour combinations (black, red and white) are available.

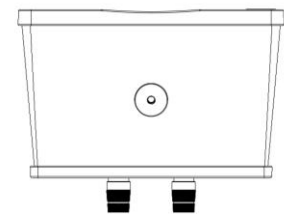
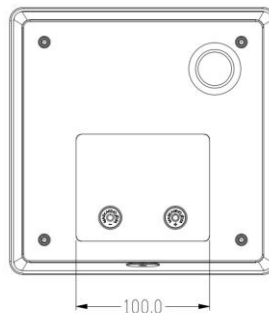
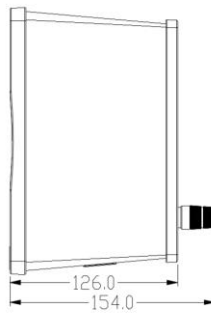
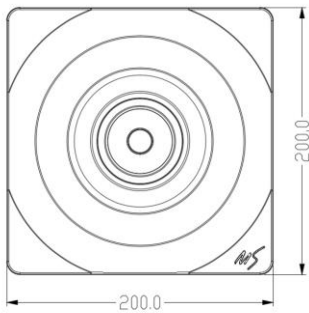
The front and back panels have their colour tones built into the composite material, which with the stylish leatherette centre creates an attractive and tactile combination. Tozzi One's fit and finish is what buyers would expect from a high quality finished product costing significantly more in retail stores.

The CHN50 (sold separately) used in the Tozzi One is a high performance affordable full-range drive unit which directly mounts into the kit's front panel, and the Tozzi One enclosure was developed and tuned by Mark to operate optimally with this high-technology driver. Rubber feet are included for desktop and shelf positioning, and the enclosure also has a built-in tripod mount for use with photo-stands.

The self-assembly process was carefully designed to be as easy as possible, requiring only basic skills and a few simple tools that most homes keep for general maintenance. Markaudio have made a step by step assembly video for buyers to follow:

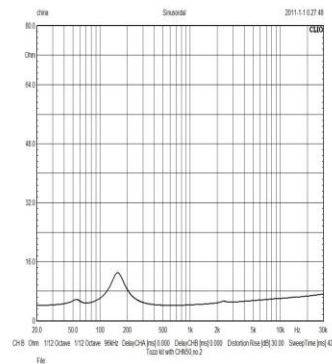
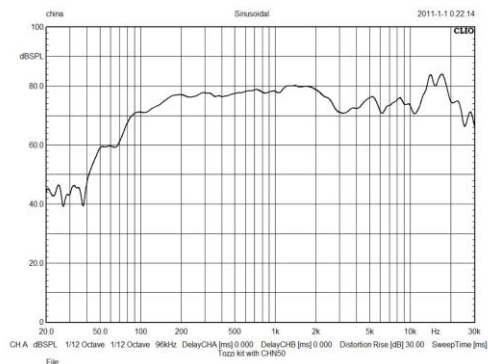
<https://www.youtube.com/watch?v=rEFQMu9khcE>

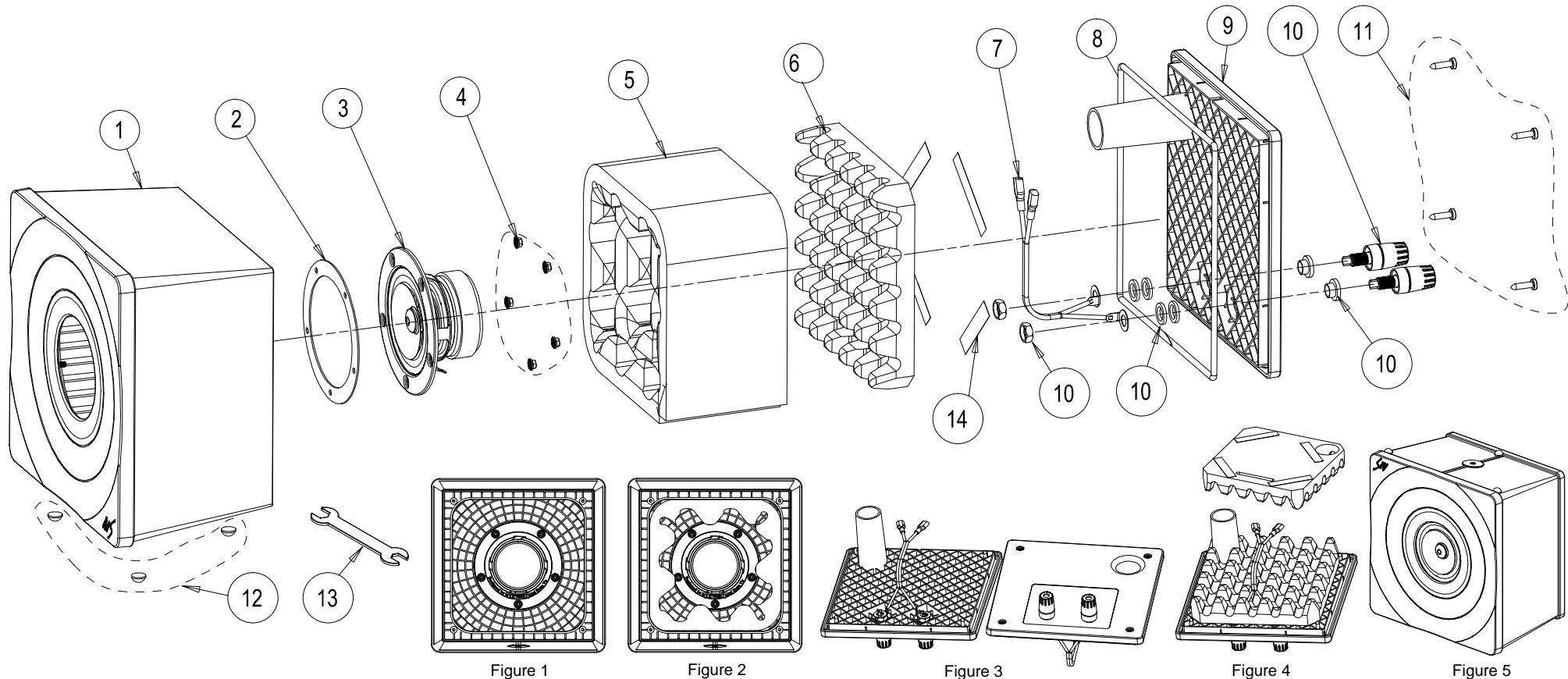




The Tozzi One kit is designed to take Markaudio's CHN50 full range audio-driver (sold separately). The driver is mounted on the inside of the front panel on an adaptor plate with screws for easy assembly.

Performance of the Tozzi One is 80Hz to 25kHz (+/-6dB) with a rising response in the high range to allowing easy positioning on desks, shelves and stands without loss of clarity. In-box power handling is rate at 20 watts peak. With an average sensitivity of 84dB 1m/w the Tozzi One is suitable for most amplifiers of 10w or greater output.





Installation procedure:

- A. Install driver gasket (Item 2) by lining the pre punched holes up with the metal studs in the front case (Item 1) with self-adhesive side facing toward you. Lower the gasket and remove the release paper. Lower the speaker driver over the studs onto the self-adhesive of the speaker gasket you added in step A, push firmly to ensure the gasket adheres to the speaker driver, this operation ensures perfect alignment.
- B. Attach the driver (item 3) to the front case (item 1). Using M3 flange nuts (Item 4) and the spanner provided (Item 13) to tighten the M3 flange nuts. (Please refer to Figure 1).
- C. Insert the egg foam (Item 5) to the internal side wall of the front case (Item 1). (Please refer to Figure 2.)
- D. Attach the speaker cables (item 7) and the binding posts (item 10) to the rear case (item 9). Tighten the binding posts (item 10). Please refer to (Figure 3) for the correct assembly method.
- E. Adhere the double sided tape x 4 pcs provided (Item 14), to the rear side of the egg foam (item 6), and put the egg foam (item 6) to the internal surface of the rear case panel (item 9). Lay the speaker cables (item 7) on the egg foam surface (item 6). (Please refer to Figure 4.)
- F. Install sealing strip (item 8) in the rebate around the edge of the rear panel (item 9). Make sure the sealing strip is fully inserted and the ends are properly contacting each other.
- G. Connect the speaker cable terminals (item 7) to the driver connectors (Item 3). Red color terminal connects to positive side of driver. Black color terminal connects to negative side of driver.
- H. Put the rear case (item 9) to the back of the front case (item 1) carefully. Make sure the orientation is correct and the sealing strip does not fall out. Tighten the rear panel using the 4x16 screws provided (item 11).
- I. Adhere rubber feet (item 12) to the bottom of the front case (item 1). (Please refer to figure 5).

**** Note:** 3" full range drivers are not included with the Tozzi One kit. Please purchase separately.

Item	Name	Specification	Qty.
1	Front case	Assembly parts, ABS+Leather	1 set
2	Driver gasket	EVA, Ø102x0.5mm, black	1 pcs
3	Driver	3" full range driver	1 pc
4	M3 Flange nut	M3x3.5mm, Steel plating Ni	5 pcs
5	Egg Foam	Foam, 620x90mm, T=30mm, black	1 pc
6	Egg Foam	Foam, 150x150mm, T=30mm, black	1 pc
7	Speaker cable	#16 AWG cable+Golden terminal	1 pc
8	Sealing strip	Foam silicone, Ø4.0x700mm	1 set
9	Rear case	ABS Rear case+PET Rating plate	5 pcs
10	Binding post	A set of red + A set of black	1 pair
11	Screw 4x16	ST4x16mm, black	4 pcs
12	Rubber foot	Silicone, Ø11.8x4.6mm	3 pcs
13	Spanner	Double open end spanner, T1.5, M5.5-7	1 pc
14	Double sticky tape	60x12mm, 3M	1 set