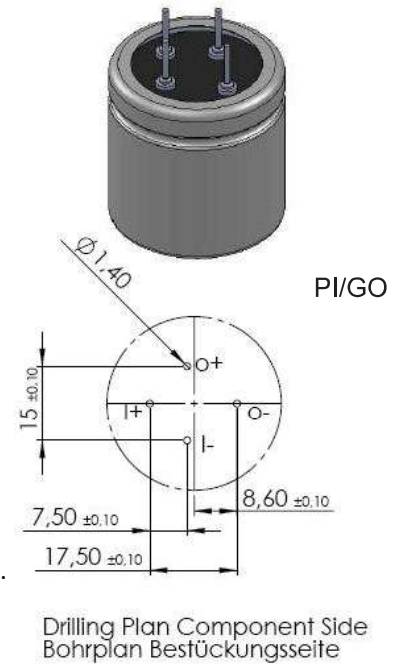


Filter Capacitors MLytic +



The **MLytic®+ 4-pole Filter Capacitor** series offers all benefits of Mundorf's unique MLYtic® technology as described in detail on page 6 plus the following features:

| | |
|---|--|
| Supply availability | Typically immediately ex stock for all types listed on page 27 4-6 weeks for your individual combination of features · from 144pcs only |
| Versatile applicable | RoHS-compliant · lead free REACH compliant Finest UL-listed ingredients only Sectional specification DIN 41332 · IEC 60384-4 Climatic category IEC 60068 40/105/56 |
| Indication of origin | Made in Germany with greatest care |
| 4-Pole Technology | Separated in- and outputs for minimized ESR and ESL, no magnetic loss and exceptional filter characteristics. Note: Usable only in low-current applications! |
| Capacitance range | 300µF to 3 300 000µF |
| DC voltage range | 16 · 25 · 35 · 40 · 50 · 63 · 80 · 100 · 160 250 · 350 · 400 · 450 · 500 · 550 |
| Temperature range | -40°C/-40°F to 125°C/+255°F [16V to 63V] -25°C/-13°F to 105°C/+220°F [80V to 450V] -40°C/-40°F to 85°C/+185°F [500V to 550V] |
| Useful lifetime [U _R · I _{R~}] | 3 000 hours at +125°C/+255°F [16V to 63V] 8 000 hours at +105°C/+220°F [16V to 450V] 16 000 hours at +85°C/+185°F [16V to 450V] 8 000 hours at +85°C/+185°F [500V to 550V] |
| Rated lifetime [U _R] | 1 000 hours at +125°C/+255°F [16V to 63V] 2 000 hours at +105°C/+220°F [16V to 450V] 2 000 hours at +85°C/+185°F [500V to 550V] |
| Case diameter [mm] | 35 |
| Case heights [mm] | Customized from 30 to 100 [typically in 5mm steps] |
| Case diameters [inch] | 1.38 |
| Case heights [inch] | Customized from 1.38 to 3.94 [typically in 0.2inch steps] |
| External insulation | Lead free PVC sleeve with end disk · voltage proof ≥2500 AC |
| Leakage current [I _l] | ≤ 0,008 * C _R [µF] * U _R [V] + 6µA after 5 minutes at U _R |
| [ESL] | 20nH equivalent series inductance |
| Maximal reverse voltage | 2V |



The **MLytic®+ 4-pole Filter Capacitor** series is especially engineered for use in small but excellent power and pre amplifiers as well as in innovative first class tube amplifiers.

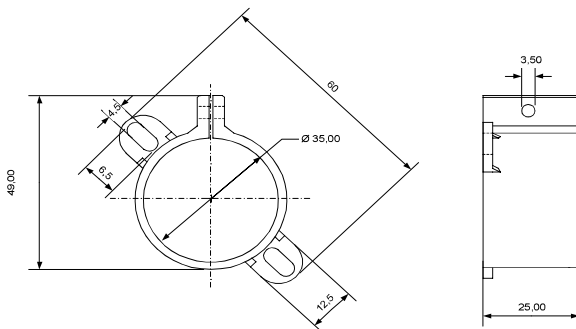
Due to their superior filter characteristics they are first choice for ambitious audio engineers. See previous page and key point **1.1.2** on page 6.

MLGO+ • glue-on capacitors offer non-magnetic, straight, tinned copper wires Ø 1.2mm ≈ AWG17. Additionally they own a vibration-reducing, traction-relieving, self-adhesive **Mounting Pad**.



MLGO+
Audio Grade Power Cap, Glue-On, 4Pin

| Rated Voltage [VDC] | Capacitance [µF] ±20% | Case Size Ø * L [mm] | Wire Size Ø * L [mm] | Rated Ripple Current IR~ at Tmax and 100Hz [A] | Surge Voltage [VDC] | ESR at 100 Hz [mOhm] | Tan δ @ 100Hz | Nominal Current IR for 5 Min. [µA] | [€] |
|---------------------|-----------------------|----------------------|----------------------|--|---------------------|----------------------|---------------|------------------------------------|-------|
| 550 | 100 | 35 * 55 | 1,2 * 8 | 0,6 | 600 | 1273 | 8 | 330 | 24,90 |
| 550 | 220 | 35 * 55 | 1,2 * 8 | 0,8 | 600 | 579 | 8 | 724 | 29,90 |
| 550 | 470 | 35 * 70 | 1,2 * 8 | 1,0 | 600 | 508 | 10 | 1552 | 39,90 |
| 160 | 1000 | 35 * 35 | 1,2 * 8 | 1,3 | 184 | 159 | 10 | 960 | 19,90 |
| 160 | 1500 | 35 * 40 | 1,2 * 8 | 1,5 | 184 | 127 | 12 | 1440 | 24,90 |
| 100 | 2200 | 35 * 35 | 1,2 * 8 | 2,1 | 115 | 65 | 9 | 1320 | 21,90 |
| 100 | 3300 | 35 * 40 | 1,2 * 8 | 2,6 | 115 | 43 | 9 | 1980 | 24,90 |
| 100 | 4700 | 35 * 60 | 1,2 * 8 | 3,7 | 115 | 30 | 9 | 2820 | 29,90 |
| 80 | 6800 | 35 * 40 | 1,2 * 8 | 2,9 | 92 | 35 | 15 | 3264 | 21,90 |
| 80 | 10000 | 35 * 50 | 1,2 * 8 | 3,4 | 92 | 32 | 20 | 4800 | 24,90 |
| 63 | 15000 | 35 * 60 | 1,2 * 8 | 3,5 | 72 | 29 | 27 | 5670 | 34,90 |
| 63 | 22000 | 35 * 70 | 1,2 * 8 | 4,9 | 72 | 20 | 27 | 8316 | 44,90 |



MPSA
3M Mounting Pad, self-adhesive

| Capacitor Ø [mm] | pc [€] |
|------------------|--------|
| 25 | 1,39 |
| 30 | 1,49 |
| 35 | 1,59 |

MCNV
Mounting Clamp, nylon, vertical, black

| Capacitor Ø [mm] | pc [€] |
|------------------|--------|
| 35 | 1,49 |
| 40 | 1,99 |
| 50 | 2,49 |
| 65 | 2,99 |
| 75 | 3,99 |