



KEY FEATURES:

- 1.4" Throat diameter**
- 72 mm (2.85 in.) voice coil**
- 150 W Program Power Capacity (1-20 kHz)**
- 109 dB Sensitivity (2-15 kHz)**
- Frequency range 0.8 - 16 kHz**
- Neodymium magnetic structure**

The **ND3671** is powerful 1.4" neodymium driver features an integral dome and suspension made of special polyester, providing exceptional high output with low distortion and frequency response with high linearity. The voice coil assembly is easily field replaceable without soldering. It is designed for a wide variety of applications in high quality, high power professional reinforcement systems and stage monitors.

SPECIFICATION

Throat diameter	36 mm (1.4 in.)
Nominal impedance	8/16 Ohms
Minimum impedance	7.8/12 Ohms
D.C. resistance	6.5/10 Ohms
Power capacity (1-20 kHz)	75 W
Program Power Capacity (1-20 kHz)	150 W
Sensitivity (2-15 kHz)	109 dB
Frequency range	0,8 - 16 kHz
Recommended crossover	1 kHz or higher 12 dB/oct.min
Voice coil diameter	72 mm (2,85 in.)
Flux density	1.95 T

MATERIALS OF CONSTRUCTION

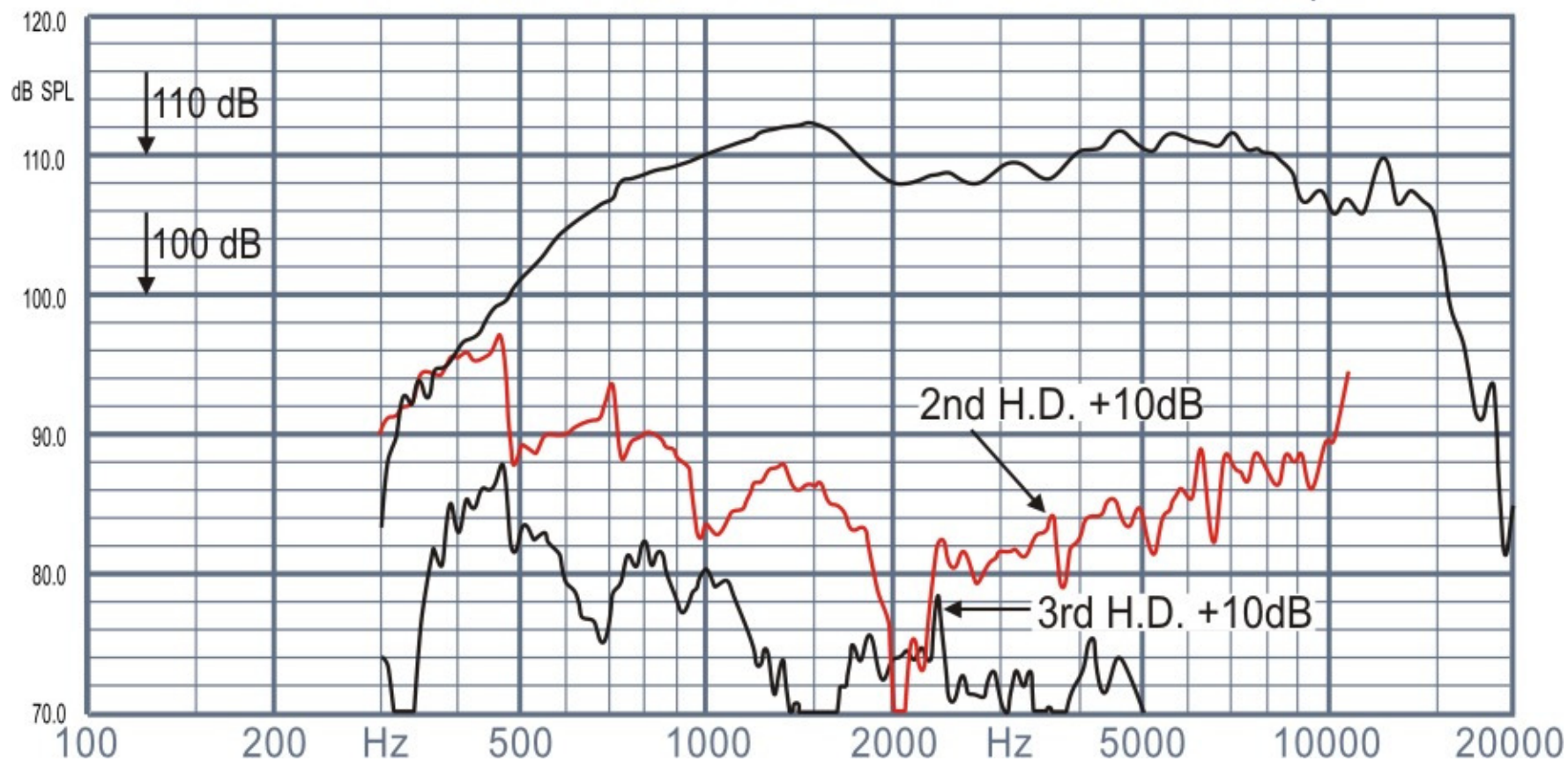
Diaphragm	sandwich polyester
Voice coil material	Aluminium
Voice coil former	Kapton™

MOUNTING INFORMATION

Overall diameter	130 mm
Depth	89 mm
Mounting	4 x M6 on 101,6 mm (4 in.) diameter
Net weight	2,85 kg

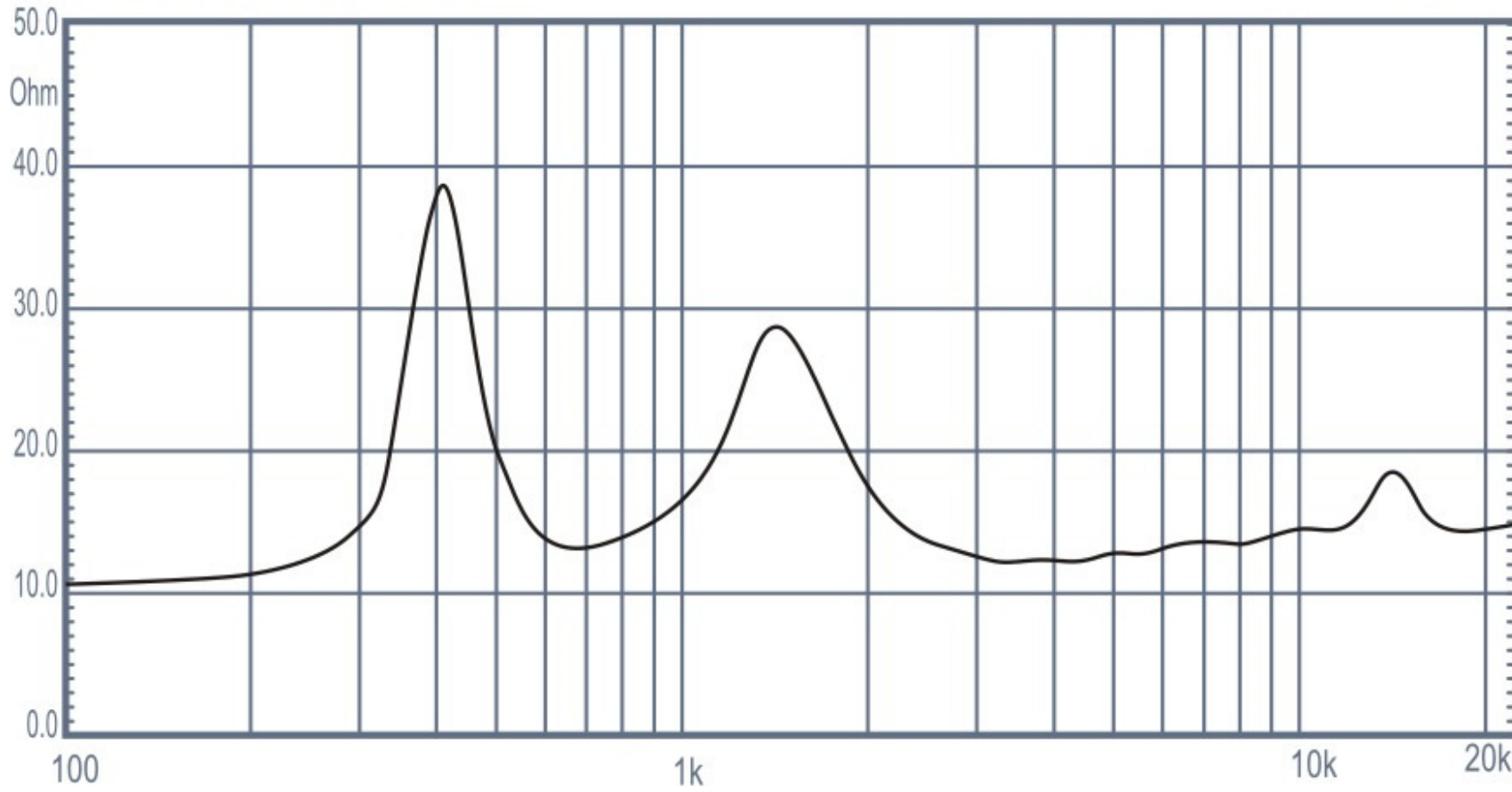
Positive voltage on red terminal moves diaphragm toward the phasing plug

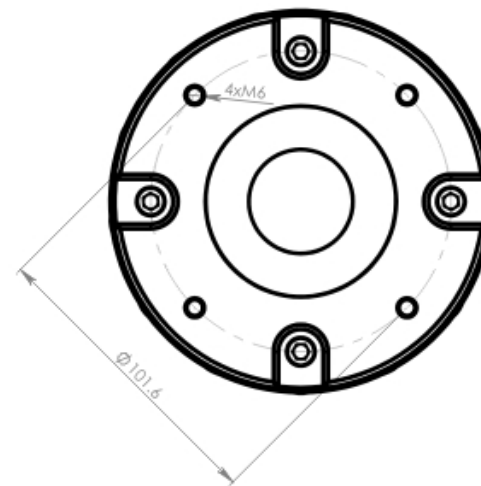
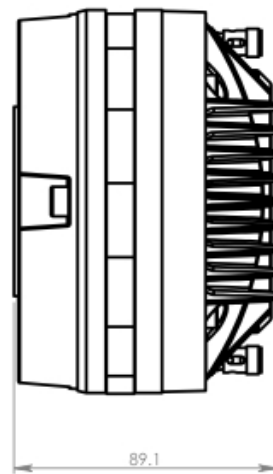
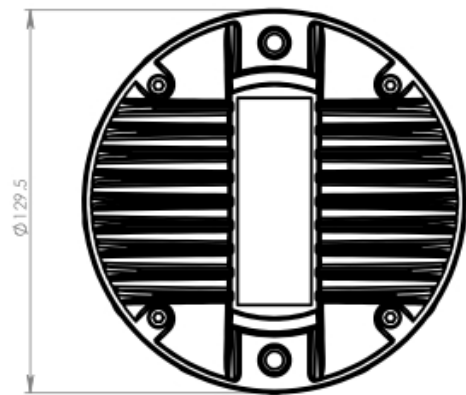
SPL1W/1m ND3671A 16Ohm DAS BP-1 horn with A-50 adapter



OBERTON ND3571A/16 Ohm

Impedance





OBERTON

model: ND3671A

Dimensions are in mm

Scale: 1:2