

Model No.: FSL-1830R09-04
 Product Line: Tymphany

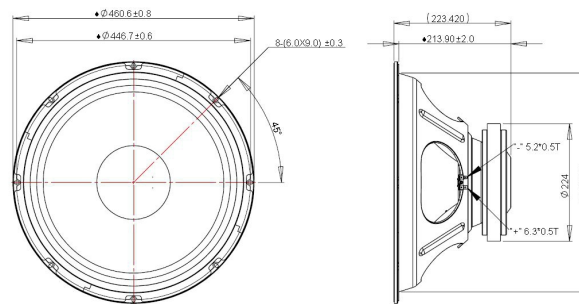
Rev: 1
 Last Update: 2017-12-06 21:56:21

Product Description

This 18 inch 4 ohm speaker features a FEA optimized ferrite magnet motor, 3inch voice coil, cloth surround, paper cone, a vented yoke for motor cooling, and a high strength stamped steel frame. Kevlar loaded non-pressed paper cone to help dampen and control cone resonance. The multi-roll surround and spider have been optimized to reduce distortion over the excursion range of this transducer.



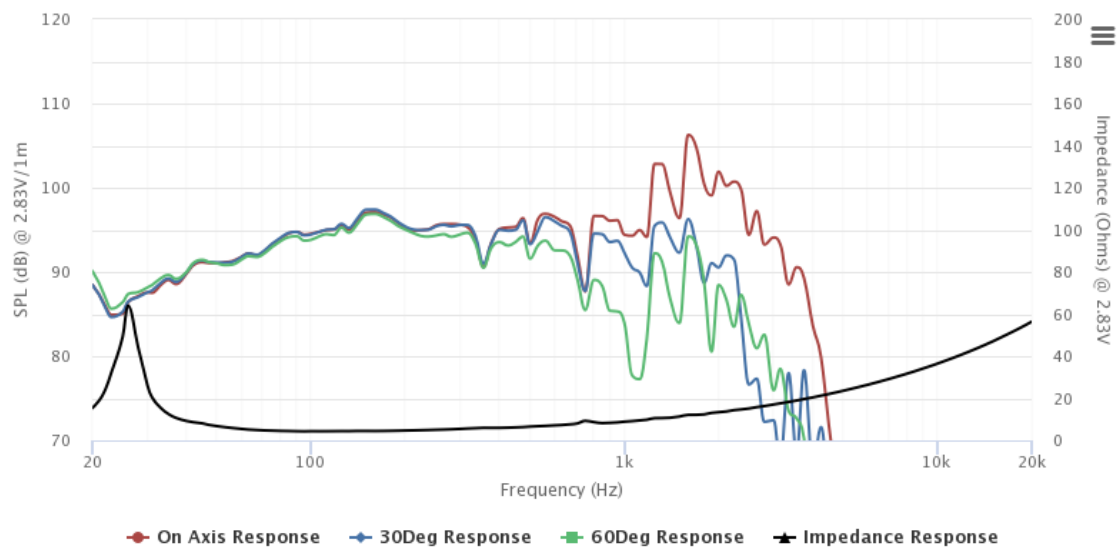
Mechanical Drawing



Specifications

| | | | | | | | |
|-------------------------------|-------------|--------|-------|-----------|----------------------------|---------|--------------------------|
| DC Resistance | Revc | Ohms | 3.67 | 5.0% | Energy Bandwidth Product | EBP | (1/Qes)*fs |
| Minimum Impedance | Zmin | Ohms | 4.3 | 7.5% | Moving Mass | Mms | g |
| Voice Coil Inductance | Le | mH | 1.05 | | Suspension Compliance | Cms | um/N |
| Resonant Frequency | Fs | Hz | 27.8 | 15% | Effective Cone diameter | D | cm |
| Mechanical Q Factor | Qms | | 14.98 | | Effective Piston Area | Sd | cm ² |
| Electrical Q Factor | Qes | 0.44 | | | Effective Volume | Vas | L |
| Total Q Factor | Qts | 0.42 | | | Motor Force Factor | BL | Tm |
| Ratio Fs/Qts | F | Fs/Qts | 66.19 | | Motor Efficiency Factor | β | (T*M ²)/Ohms |
| Half Space Sensitivity @2.83V | db@2.83V/1M | dB | 94.62 | +/- 1.0db | Voice coil former Material | VCfm | TIL-P |
| Half Space Sensitivity @1W/1M | db@1W/1M | dB | 91.9 | +/- 1.0db | Voice coil inner diameter | VCd | mm |
| Gap Height | Gh | mm | 10 | | Rated Noise Power | P | W |
| Maximum Linear Excursion | Xmax | mm | 12 | | Test Spectrum Bandwidth | | 40Hz ~400 Hz |
| Ferofluid Type | FF | | | | Driver Size | Inch | 18 in |
| Driver Mass | Kg | 12.06 | | | | | |

Frequency and Impedance Response



Highcharts.com