

Model No.: FSL-1830R09-08  
Product Line: Tymphany

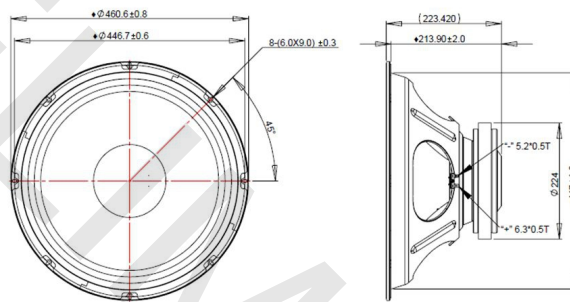
Rev: 1  
Last Update: 2018-09-14 03:08:10

**Product Description**

FSL woofer, 18inch, paper cone, ferrite motor, Al ring steel basket, 8ohm



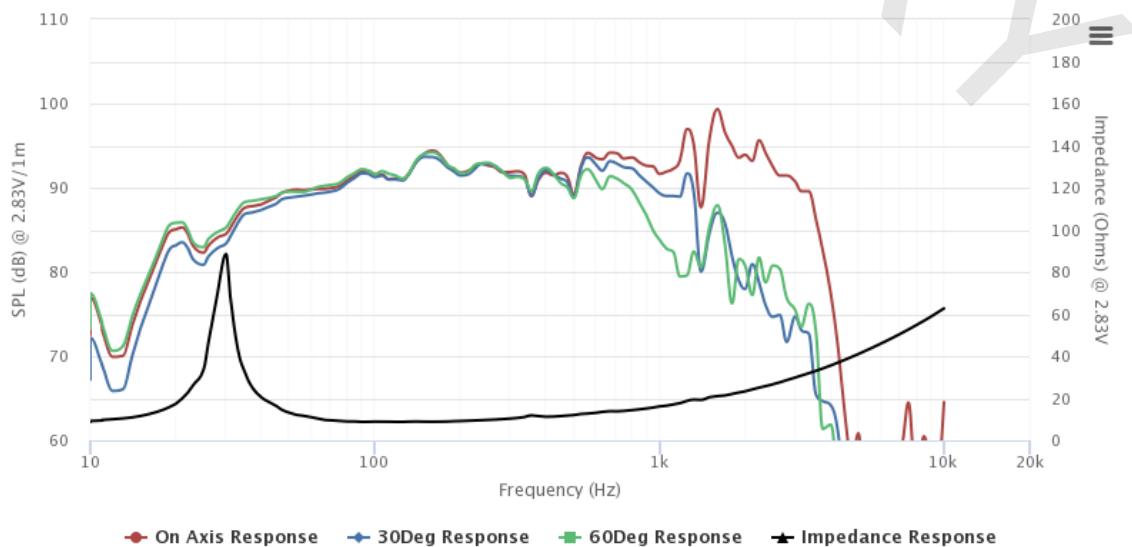
**Mechanical Drawing**



**Specifications**

DC Resistance	Revc	Ohms	7.14	5.0%	Energy Bandwidth Product	EBP	(1/Qes)*fs
Minimum Impedance	Zmin	Ohms	8.8	7.5%	Moving Mass	Mms	g
Voice Coil Inductance	Le	mH	1		Suspension Compliance	Cms	um/N
Resonant Frequency	Fs	Hz	32.7	15%	Effective Cone diameter	D	cm
Mechanical Q Factor	Qms		15.46		Effective Piston Area	Sd	cm <sup>2</sup>
Electrical Q Factor	Qes	0.61			Effective Volume	Vas	L
Total Q Factor	Qts		0.58		Motor Force Factor	BL	Tm
Ratio Fs/Qts	F	Fs/Qts	56.09		Motor Efficiency Factor	$\beta$	(T*M <sup>2</sup> )/Ohms
Half Space Sensitivity @2.83V	db@2.83V/1M	dB	91.56	+/- 1.0db	Voice coil former Material	VCfm	TIL-P
Half Space Sensitivity @1W/1M	db@1W/1M	dB	92	+/- 1.0db	Voice coil inner diameter	VCd	mm
Gap Height	Gh	mm	10		Rated Noise Power	P	W
Maximum Linear Excursion	Xmax	mm	12.6		Test Spectrum Bandwidth	Fo~400 Hz	
Ferrofluid Type	FF				Driver Size	Inch	18 in
Driver Mass	Kg	12.02					

**Frequency and Impedance Response**



Highcharts.com