

Model No: NCP-1540R01-08
Product Line:

Rev 1
Last Update: 2018-07-18 10:17:32

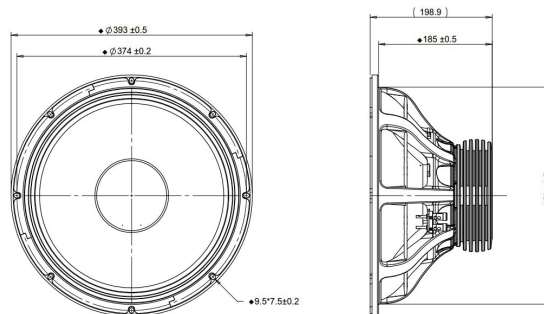
Product Description

This 15 inch 8 ohm speaker features a FEA optimized Neo magnet motor, a 4in high-temperature CCAW voice coil, and a high strength cast aluminum frame, specially designed motor cooling system incorporate with the cast aluminum heatsink can dramatically increase the power handling and reduce the power compression, the multi-roll surround and spider have been optimized to reduce distortion over the excursion range of this transducer.

NOTE THIS DRIVER IS NOT APPROVED AND/OR IS NOT IN MASS PRODUCTION YET.
AS SUCH IT MAY BE SUBJECT TO CHANGE.
SPEC IS ONLY FOR INFORMATION.
PLEASE CHECK STATUS WITH THE ENGINEER



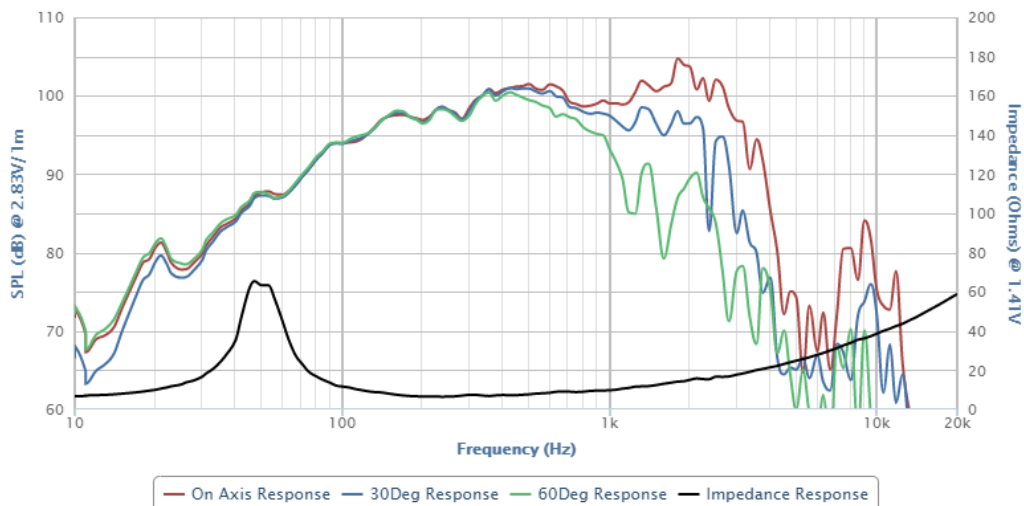
Mechanical Drawing



Specifications

DC Resistance	Revc	Ohms	5.23	5.0%	Energy Bandwidth Product	EBP	(1/Qes)*fs	162.69
Minimum Impedance	Zmin	Ohms	6.52	7.5%	Moving Mass	Mms	g	117.42
Voice Coil Inductance	Le	mH	0.68		Suspension Compliance	Cms	um/N	76
Resonant Frequency	Fs	Hz	53.2	15%	Effective Cone diameter	D	cm	33.3
Mechanical Q Factor	Qms		8.66		Effective Piston Area	Sd	cm ²	870.9
Electrical Q Factor	Qes		0.33		Effective Volume	Vas	L	82.91
Total Q Factor	Qts		0.32		Motor Force Factor	BL	Tm	25.07
Ratio Fs/Qts	F	Fs/Qts	168.89		Motor Efficiency Factor	β	(T*M ²)/Ohms	120.13
Half Space Sensitivity @2.83V	db@2.83V/1M	dB	98.01	+/- 1.0db	Voice coil former Material	VCfm		TGL
Half Space Sensitivity @1W/1M	db@1W/1M	dB	97.11	+/- 1.0db	Voice coil inner diameter	VCd	mm	99.97
Gap Height	Gh	mm	12		Rated Noise Power	P	W	1200
Maximum Linear Excursion	Xmax	mm	7		Test Spectrum Bandwidth	50Hz -500Hz		
Ferrofluid Type	FF				Transducer Size	Inch	15	
Transducer Mass	Kg	7.2						

Frequency and Impedance Response



Highcharts.com