

Model No.: SLS-P830667

Rev: 1

Product Line: Peerless

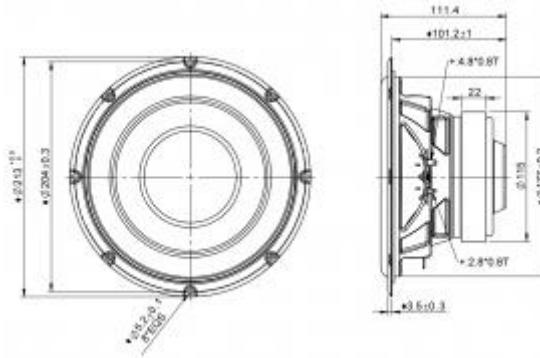
Last Update: 2017-04-25 14:32:09

## Product Description

The SLS line combines high quality performance with an affordable design. This 8 inch 8 ohm member of the SLS family features a rigid steel basket, a coated paper cone, and a ferrite magnet motor with aluminium shorting ring for improved distortion performance.



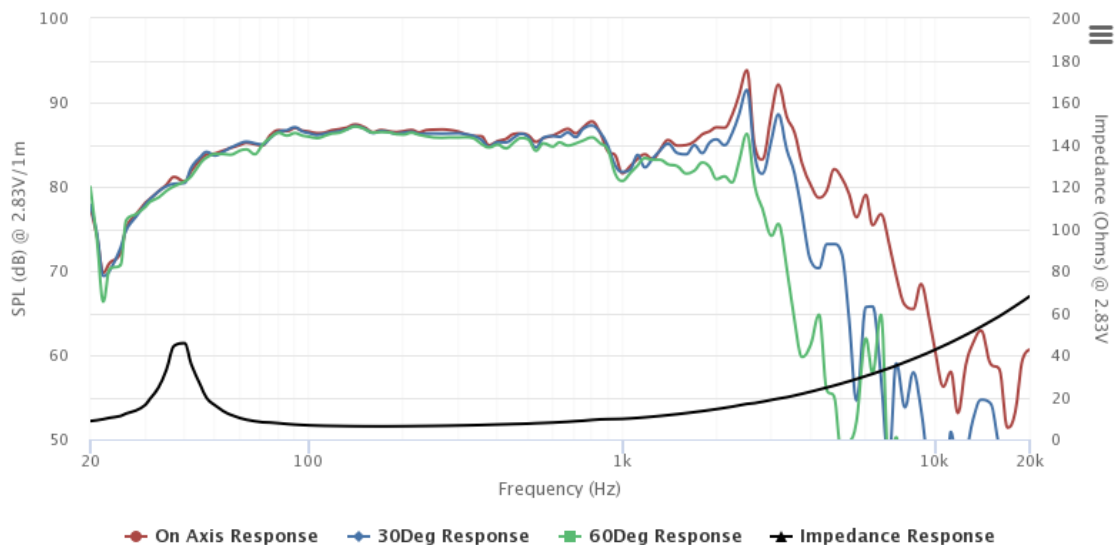
## Mechanical Drawing



## Specifications

DC Resistance	Revc	Ohms	5.53	5.0%	Energy Bandwidth Product	EBP	(1/Qes)*fs
Minimum Impedance	Zmin	Ohms	6.21	7.5%	Moving Mass	Mms	g
Voice Coil Inductance	Le	mH	0.78		Suspension Compliance	Cms	um/N
Resonant Frequency	Fs	Hz	42.19	15%	Effective Cone diameter	D	cm
Mechanical Q Factor	Qms		5.73		Effective Piston Area	Sd	cm^2
Electrical Q Factor	Qes		0.75		Effective Volume	Vas	L
Total Q Factor	Qts		0.66		Motor Force Factor	BL	Tm
Ratio Fs/Qts	F	Fs/Qts	63.83		Motor Efficiency Factor	β	(T*M^2)/Ohms
Half Space Sensitivity @2.83V	db@2.83V/1M	dB	86.67	+/- 1.0db	Voice coil former Material	VCfm	GSV
Half Space Sensitivity @1W/1M	db@1W/1M	dB	85.6	+/- 1.0db	Voice coil inner diameter	VCd	mm
Gap Height	Gh	mm	8		Rated Noise Power	P	W
Maximum Linear Excursion	Xmax	mm	8.4		Test Spectrum Bandwidth		20Hz - 20kHz
Ferrofluid Type	FF				Driver Size	Inch	8 in
Driver Mass	Kg		2.52				

## Frequency and Impedance Response



Highcharts.com