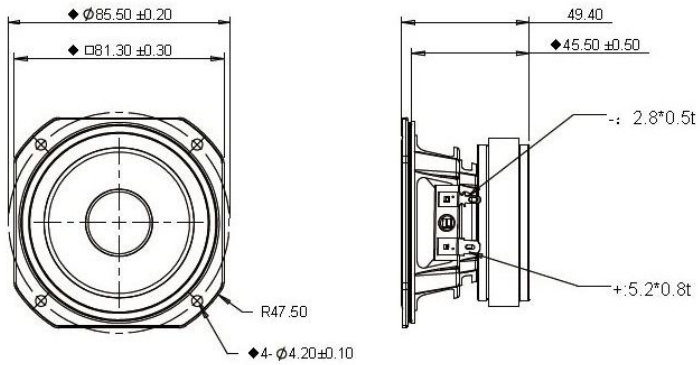


- Pressed Steel Basket
- High Sensitivity
- High Power and Thermal Handling
- Fabric Surround
- Ferrite Magnet

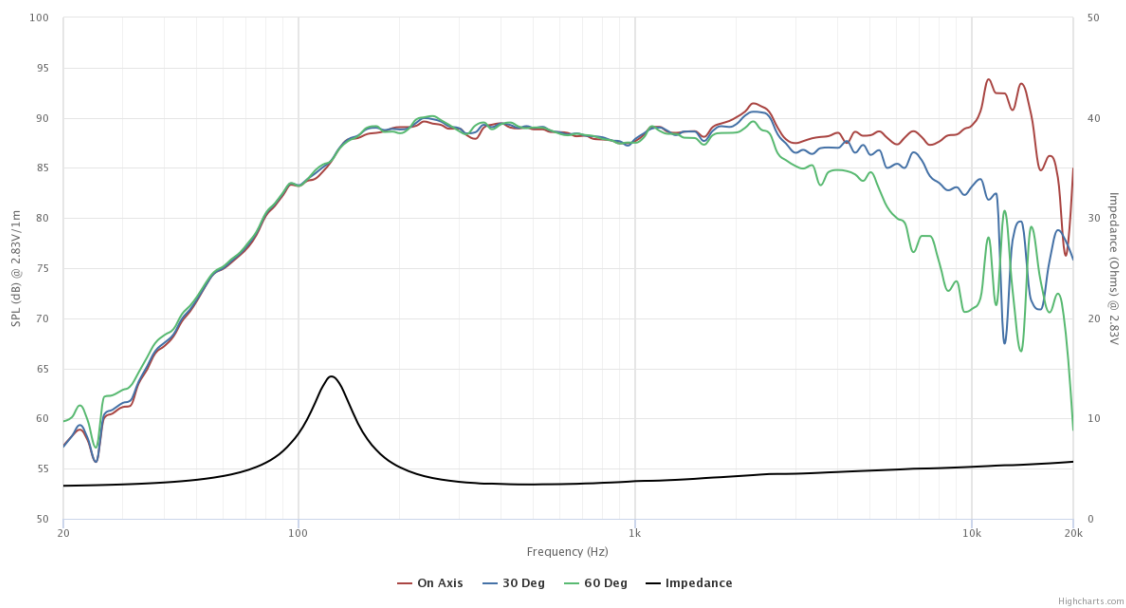


SPECIFICATIONS

Transducer Size	3	in
Impedance	4	Ω
Frequency Range ¹	100 - 20000	Hz
Sensitivity ² (2.83V 1W @ 1m)	88.9 85.9	dB
Power Rating (IEC 268-5)	25	W
Voice Coil Size	19.4	mm
Air Gap Winding Height	$H_{ag} H_{vc}$	4 6.8 mm
Net Weight	0.4	kg

PARAMETERS ³

Eff. Piston Area	S_d	33.2	cm ²
DC Resistance	R_e	3	Ω
Minimum Impedance	Z_{min}	3.4	Ω
Inductance	L_e	0.059	mH
Resonance Frequency ⁴	F_s	170	Hz
Mechanical Q Factor	Q_{ms}	4.55	-
Electrical Q Factor	Q_{es}	1.19	-
Total Q Factor	Q_{ts}	0.95	-
Moving Mass	M_{ms}	2.33	g
Compliance	C_{ms}	370	$\mu\text{m}/\text{N}$
Equivalent Volume	V_{as}	0.574	L
Motor Force Factor	Bl	2.53	Tm
Motor Efficiency	β	2.11	$(Bl)^2 / R_e$
Linear Excursion ⁵	X_{max}	2.73	mm
Max Mechanical Excursion ⁶	X_{mech}	-	mm



Details on this spec sheet are for reference only and should not be used for setting production limits. Specifications and product cosmetics are subject to change without notice. Peerless is a registered trademark of Tympany Enterprises. All measurements conducted in test lab at 25°C ±10°C, 50%RH ±10%. ¹ Specified by Engineering as linear working range of transducer. ² Measured at 2.83V at 1m and normalized to 1W with respect to nominal impedance. ³ Measured in Free Air without preconditioning, therefore subject to some deviation. ⁴ Impedance and F_s value measured under different conditions. ⁵ Equal/Overhung: $(H_{vc} - H_{ag})/2 + H_{ag}/3$. Underhung: $(H_{ag} - H_{vc})/2 + H_{vc}/3$. ⁶ Mechanically limited excursion (e.g. bottoming, spider crash).