

Driver Specification Sheet

Model No.: TPY05W08O0088
 Product Line: Tymphany

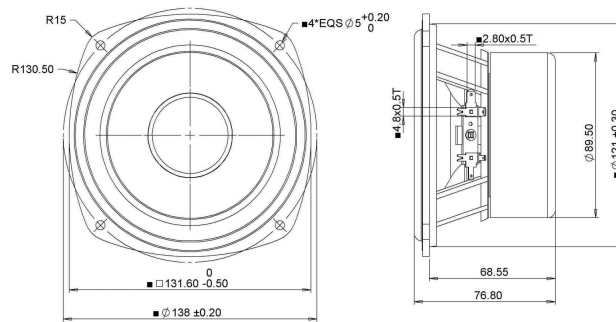
Rev: 1
 Last Update: 2017-04-25 21:32:09

Product Description

This 5.25 inch 8 ohm driver is a member of the Heritage family.



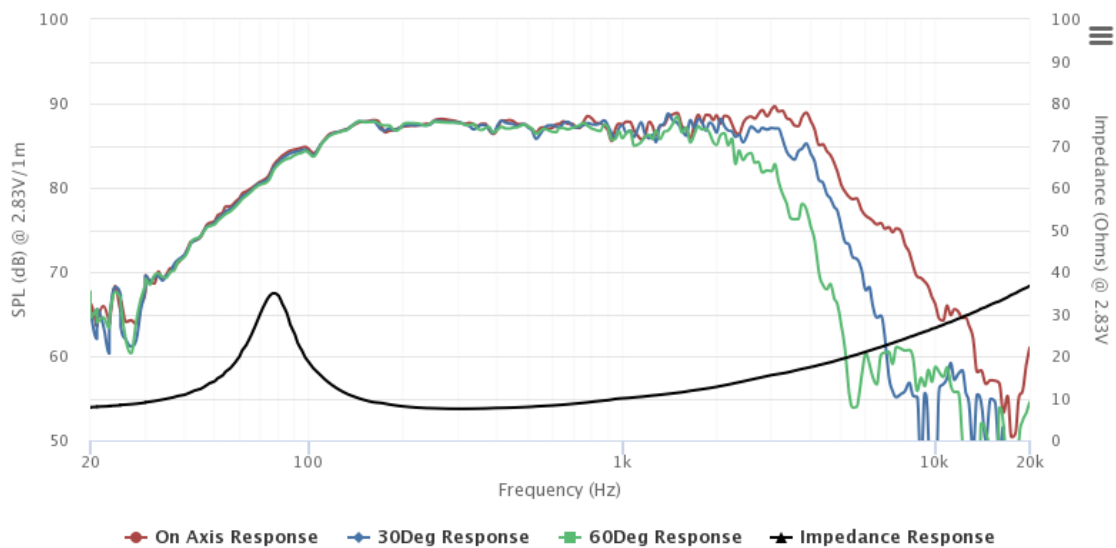
Mechanical Drawing



Specifications

DC Resistance	Revc	Ohms	5.9	5.0%	Energy Bandwidth Product	EBP	(1/Qes)*fs
Minimum Impedance	Zmin	Ohms	7.51	7.5%	Moving Mass	Mms	g
Voice Coil Inductance	Le	mH	0.26		Suspension Compliance	Cms	um/N
Resonant Frequency	Fs	Hz	85	15%	Effective Cone diameter	D	cm
Mechanical Q Factor	Qms		3.01		Effective Piston Area	Sd	cm ²
Electrical Q Factor	Qes		0.7		Effective Volume	Vas	L
Total Q Factor	Qts		0.57		Motor Force Factor	BL	Tm
Ratio Fs/Qts	F	Fs/Qts	149.38		Motor Efficiency Factor	β	(T*M ²)/Ohms
Half Space Sensitivity @2.83V	db@2.83V/1M	dB	87.74	+/- 1.0db	Voice coil former Material	VCfm	ASV
Half Space Sensitivity @1W/1M	db@1W/1M	dB	87.5	+/- 1.0db	Voice coil inner diameter	VCd	mm
Gap Height	Gh	mm	6		Rated Noise Power	P	W
Maximum Linear Excursion	Xmax	mm	3.5		Test Spectrum Bandwidth		20Hz-5KHz
Ferrofluid Type	FF				Driver Size	Inch	5.25 in
Driver Mass	Kg		0.96				

Frequency and Impedance Response



Highcharts.com