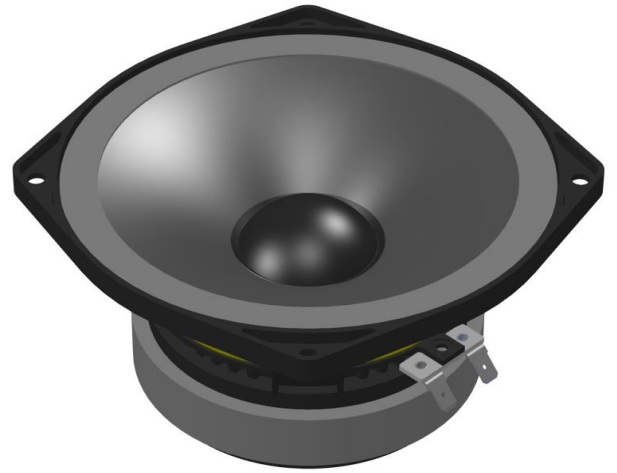




1130

Nominal Diameter	6.5" / 17 cm
Rated Impedance	16
Sensitivity	94.5 dB SPL
Power Handling Capacity	130 W AES
SPL max (continuous)	112 dB SPL
Usable frequency range	300 - 5000 Hz
Speaker net mass	2.15 kg

6.5 inches midrange driver



Architecture highlights :

- Midrange unit with critical damping diaphragm
- Ultra light vented CCAR voice coil
- Natural convection Intercooler System
- Flat foam surround

Motor architecture

Magnet material	-	Fe
Voice coil diameter	mm	38
Voice coil length	mm	10
Air gap height	mm	6

Typical characteristics

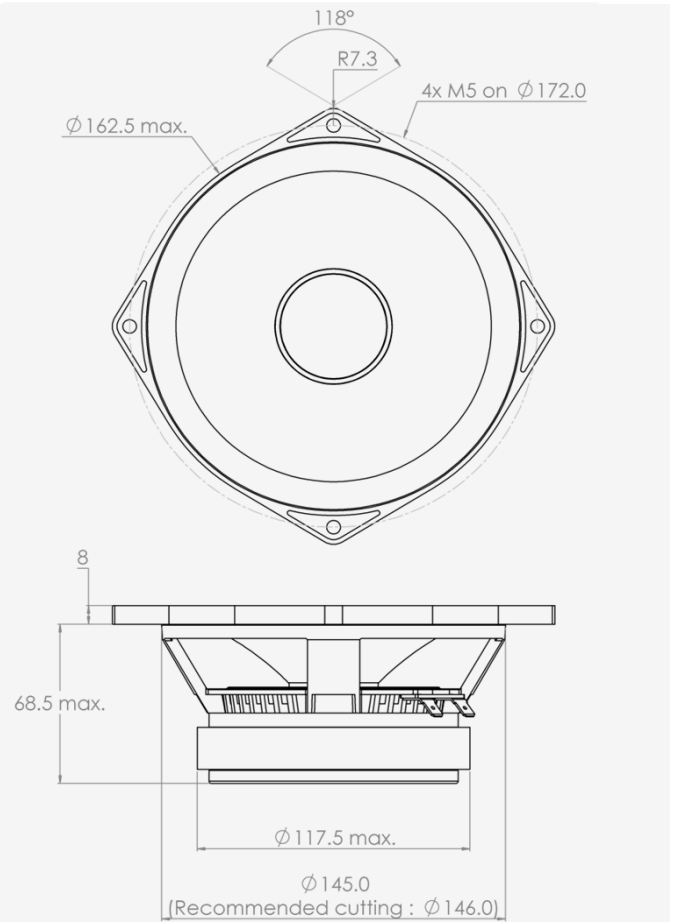
Rated impedance	Z	Ω	16
Half space sensitivity (1W@1m)	-	dB SPL	94.5
Usable freq. range	-	Hz	300 - 5000
Power handling capacity (AES)	-	W	130
Max Sound Pressure Level	SPL _{max}	dB SPL	112
Min. impedance modulus	Z _{min}	Ω @Hz	12.7@680
Voice-coil inductance @ 1kHz	Le _{1k}	mH	1.130
Voice-coil inductance @ 10kHz	Le _{10k}	mH	0.471
BL product	BL	N/A	12.7
Moving mass	Mms	kg	0.0100

Thiele-Small parameters

Resonance frequency	Fs	Hz	134 (± 25)
DC Resistance	Re	Ω	11.6 (± 1.2)
Mechanical quality factor	Qms	1	5.27
Electrical quality factor	Qes	1	0.61
Total quality factor	Qts	1	0.54
Suspension compliance	Cms	10^{-6} .m/N	140
Effective piston area	Sd	m ²	0.0150
Equivalent Cas air load	Vas	m ³	0.0044
Max linear excursion	Xmax	mm	± 2.0
Linear displacement volume	Vd	10^{-3} .m ³	0.0299
Reference efficiency	η_0	%	1.7
Unity load volume	Vas.Qts ²	10^{-3} .m ³	1.3

Absolute maximum ratings

Short term max. input voltage	Vmax	V	90
Max.excursion before damage	Xdam	mm	± 4.0
Ambient operating temperature	Ta	$^{\circ}$ C	-10 to +50
Storage temperature		$^{\circ}$ C	-20 to +70
Environmental withstanding			tropical



Mounting information

Air volume occupied by the driver	10^{-3} .m ³	0.46
Speaker net mass	kg	2.15
Baffle cut-out diameter (front mounting)	mm	146.0
Bolt number & Metric diameter	-	4x M5
Bolt circle diameter	mm	172.0
Max overall dimension (on ears)	mm	187.5
Max overall dimension (out of ears)	mm	162.5
Flange height	mm	8.0
Max magnet diameter	mm	117.5
Max depth (front mounting)	mm	68.5
Recommended reflex box	Lts / Hz	-
Electrical connection		6.35x0.8 FAS

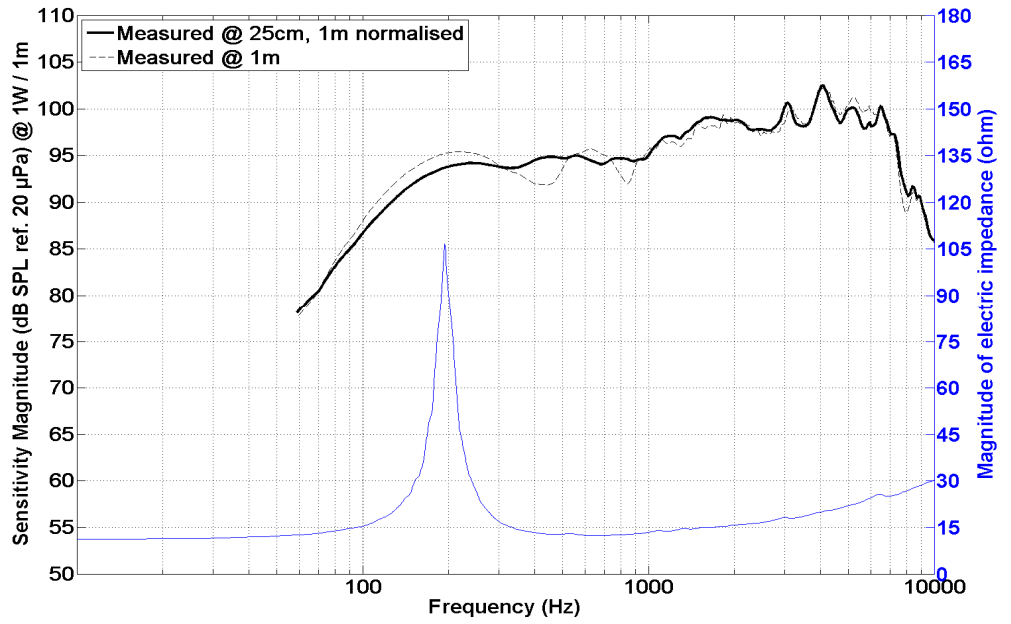


1130

6.5 inches midrange driver

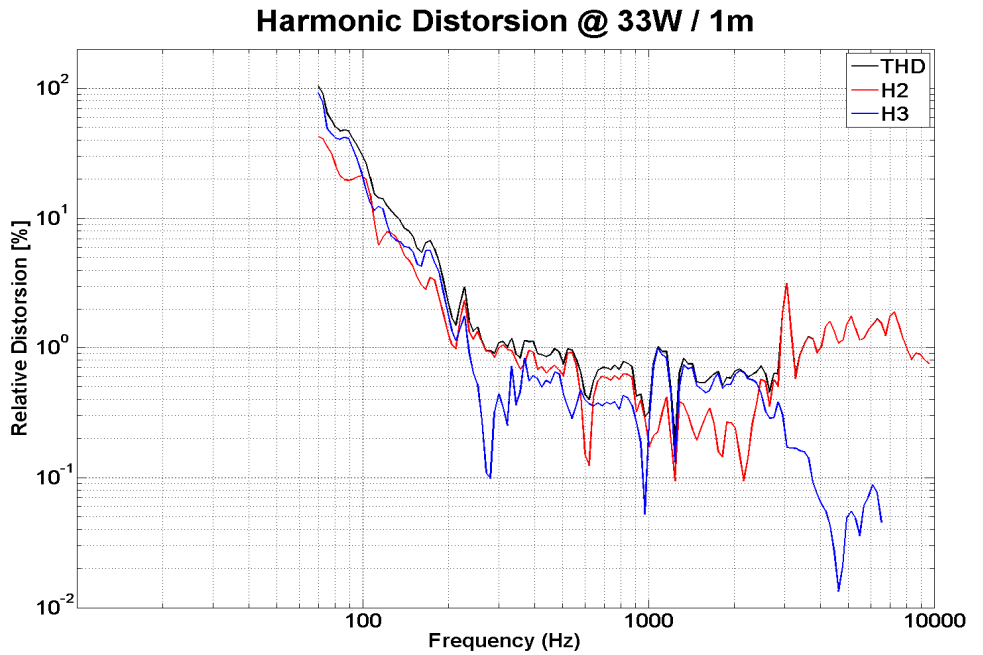
SPL curves measured on CEI standard baffle :

- . at 25 cm, normalised 1 m
- . at 1 m for reference
- . Graph amplitude = 60 dB (PHL Audio standard)



HD curve measured on CEI standard baffle :

- . at 1 meter
- . at power = $P_{AES} / 4$



Non linear curves measured thanks to Klippel software and hardware, in free air

