



2730

Nominal Diameter	8" / 20 cm
Rated Impedance	8
Sensitivity	91.5 dB SPL
Power Handling Capacity	300 W AES
SPL max (continuous)	112 dB SPL
Usable frequency range	40 - 3000 Hz
Speaker net mass	3.65 kg

8" bass driver



Architecture highlights :

- High excursion rubber surround with linear behavior for large signal
- 2.80 kg lightweight ferrite magnet system with symmetric BL(x)
- Noiseless natural convection Intercooling System

Motor architecture

Magnet material	-	Fe
Voice coil diameter	mm	51
Voice coil length	mm	22
Air gap height	mm	9

Typical characteristics

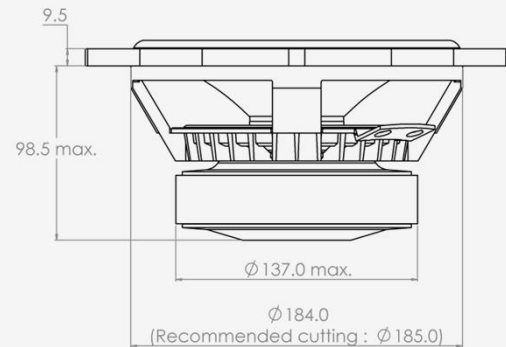
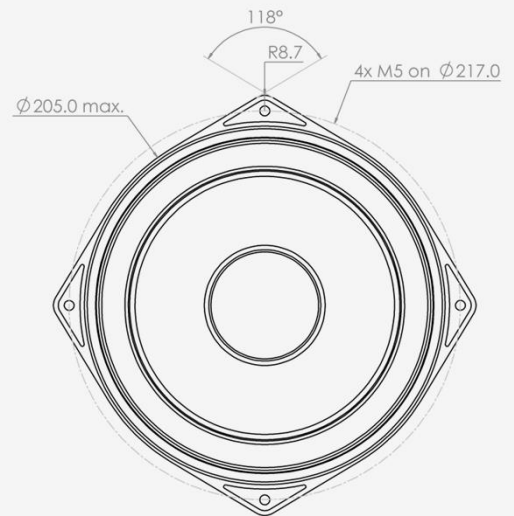
Rated impedance	Z	Ω	8
Half space sensitivity (1W@1m)	-	dB SPL	91.5
Usable freq. range	-	Hz	40 - 3000
Power handling capacity (AES)	-	W	300
Max Sound Pressure Level	SPL _{max}	dB SPL	112
Min. impedance modulus	Z _{min}	Ω @Hz	-
Voice-coil inductance @ 1kHz	Le _{1k}	mH	-
Voice-coil inductance @ 10kHz	Le _{10k}	mH	-
BL product	BL	N/A	12.6
Moving mass	Mms	kg	0.0294

Thiele-Small parameters

Resonance frequency	Fs	Hz	42 (± 6)
DC Resistance	Re	Ω	5.6 (± 0.6)
Mechanical quality factor	Qms	1	5.33
Electrical quality factor	Qes	1	0.27
Total quality factor	Qts	1	0.26
Suspension compliance	Cms	10 ⁻⁶ .m/N	490
Effective piston area	Sd	m ²	0.0222
Equivalent Cas air load	Vas	m ³	0.0341
Max linear excursion	Xmax	mm	± 7.0
Linear displacement volume	Vd	10 ⁻³ .m ³	0.1995
Reference efficiency	η_0	%	0.9
Unity load volume	Vas.Qts ²	10 ⁻³ .m ³	2.3

Absolute maximum ratings

Short term max. input voltage	Vmax	V	100
Max. excursion before damage	Xdam	mm	± 18.0
Ambient operating temperature	Ta	$^{\circ}\text{C}$	-10 to +50
Storage temperature		$^{\circ}\text{C}$	-20 to +70
Environmental withstanding			Tropical



Mounting information

Air volume occupied by the driver	10 ⁻³ .m ³	0.9
Speaker net mass	kg	3.65
Baffle cut-out diameter (front mounting)	mm	185.0
Bolt number & Metric diameter	-	4x M5
Bolt circle diameter	mm	217.0
Max overall dimension (on ears)	mm	234.5
Max overall dimension (out of ears)	mm	205.0
Flange height	mm	9.5
Max magnet diameter	mm	137.0
Max depth (front mounting)	mm	98.5
Recommended reflex box	Lts / Hz	-
Electrical connection		6.35x0.8 + 4.8x0.5 FASTON