



# 3861

Nominal Diameter	10" / 25 cm
Rated Impedance	8 Ω
Sensitivity	98 dB SPL
Power Handling Capacity	250 W AES
SPL max (continuous)	118 dB SPL
Usable frequency range	120 - 3000 Hz
Speaker net mass	8,2 kg

# 10 inches midrange driver



### Architecture highlights :

- Very high sensitivity & SPLmax 10" Midrange driver with low THD level
- Midrange unit with critical damping diaphragm
- High definition CCAR vented voice-coil
- Natural convection Intercooler System
- Both sides coated Curvilinear cone (Tropical withstanding)

### Motor architecture

Magnet material	-	Fe
Voice coil diameter	mm	77
Voice coil length	mm	12
Air gap height	mm	10

### Typical characteristics

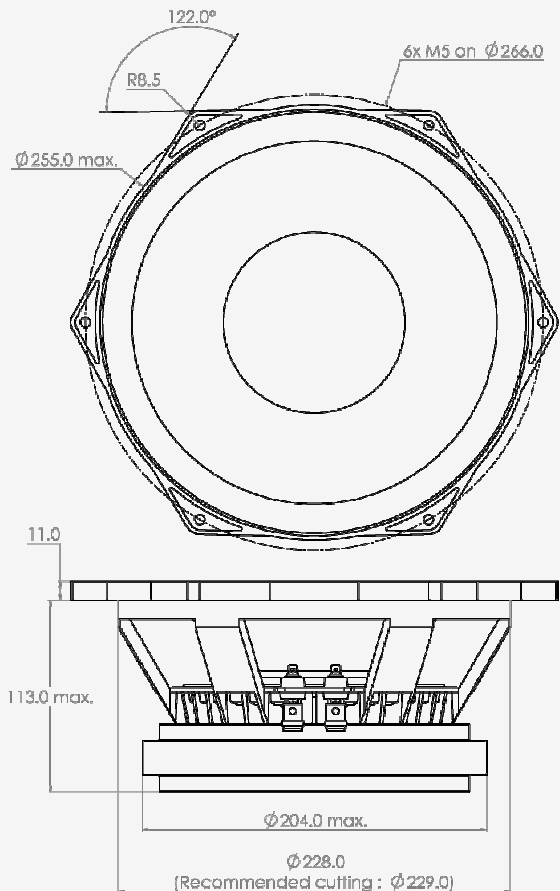
Rated impedance	Z	Ω	8
Half space sensitivity (1W@1m)	-	dB SPL	98,0
Usable freq. range	-	Hz	120 - 3000
Power handling capacity (AES)	-	W	250
Max Sound Pressure Level	SPL <sub>max</sub>	dB SPL	118
Min. impedance modulus	Z <sub>min</sub>	Ω@Hz	6.4@410
Voice-coil inductance @ 1kHz	Le <sub>1k</sub>	mH	1,229
Voice-coil inductance @ 10kHz	Le <sub>10k</sub>	mH	0,667
BL product	BL	N/A	20,5
Moving mass	Mms	kg	0,040

### Thiele-Small parameters

Resonance frequency	Fs	Hz	88 (±18)
DC Resistance	Re	Ω	5.7 (±0.6)
Mechanical quality factor	Qms	1	3,07
Electrical quality factor	Qes	1	0,30
Total quality factor	Qts	1	0,27
Suspension compliance	Cms	10 <sup>-6</sup> .m/N	80
Effective piston area	Sd	m <sup>2</sup>	0,0377
Equivalent Cas air load	Vas	m <sup>3</sup>	0,0163
Max linear excursion	Xmax	mm	± 2,5
Linear displacement volume	Vd	10 <sup>-3</sup> .m <sup>3</sup>	0,0942
Reference efficiency	η <sub>0</sub>	%	3,6
Unity load volume	Vas.Qts <sup>2</sup>	10 <sup>-3</sup> .m <sup>3</sup>	1,2

### Absolute maximum ratings

Short term max. input voltage	Vmax	V	90
Max.excursion before damage	Xdam	mm	± 4,0
Ambient operating temperature	Ta	°C	-10 to +50
Storage temperature		°C	-20 to +70
Environmental withstanding			Tropical



### Mounting information

Air volume occupied by the driver	10 <sup>-3</sup> .m <sup>3</sup>	2,00
Speaker net mass	kg	8,2
Baffle cut-out diameter (front mounting)	mm	229,0
Bolt number & Metric diameter	-	6x M5
Bolt circle diameter	mm	266,0
Max overall dimension (on ears)	mm	283,5
Max overall dimension (out of ears)	mm	255,0
Flange height	mm	11,0
Max magnet diameter	mm	204,0
Max depth (front mounting)	mm	113,0
Recommended reflex box	Lts / Hz	4 - 6L sealed
Electrical connection		Ø4 mm Push buttons