



4061

Nominal Diameter	12 " / 30 cm
Rated Impedance	16
Sensitivity	97 dB SPL
Power Handling Capacity	350 W AES
SPL max (continuous)	118 dB SPL
Usable frequency range	50 - 3000 Hz
Speaker net mass	8.9 kg

12" low-mid driver



Architecture highlights :

- Natural convection Intercooling System
- High compliance double half-roll fabric surround

Motor architecture

Magnet material	-	Fe
Voice coil diameter	mm	77
Voice coil length	mm	15
Air gap height	mm	10

Typical characteristics

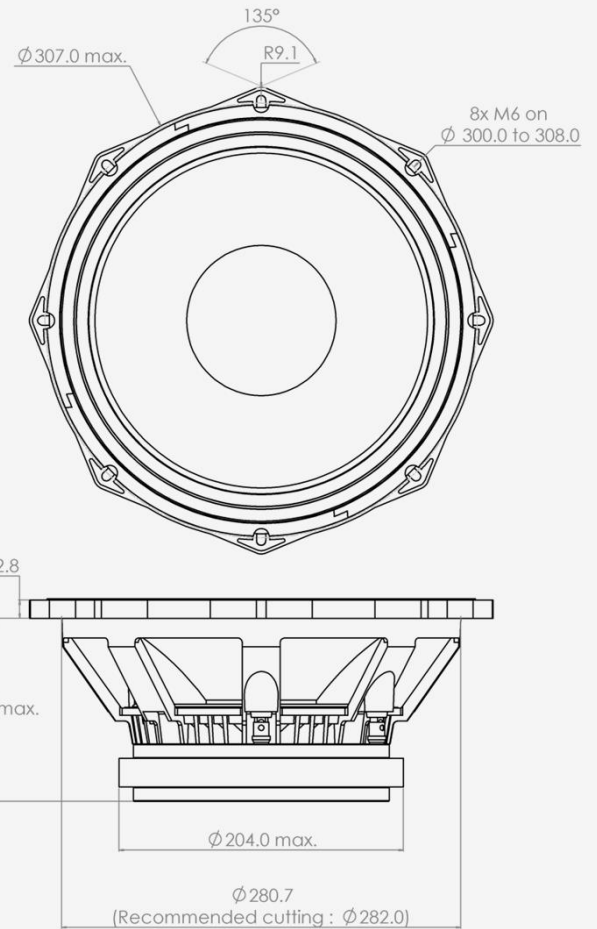
Rated impedance	Z	Ω	16
Half space sensitivity (1W@1m)	-	dB SPL	97.0
Usable freq. range	-	Hz	50 - 3000
Power handling capacity (AES)	-	W	350
Max Sound Pressure Level	SPL _{max}	dB SPL	118
Min. impedance modulus	Z _{min}	Ω @Hz	15.4@420
Voice-coil inductance @ 1kHz	Le _{1k}	mH	2.522
Voice-coil inductance @ 10kHz	Le _{10k}	mH	1.157
BL product	BL	N/A	28.8
Moving mass	Mms	kg	0.0580

Thiele-Small parameters

Resonance frequency	Fs	Hz	49 (± 6)
DC Resistance	Re	Ω	12.2 (± 1.2)
Mechanical quality factor	Qms	1	3.74
Electrical quality factor	Qes	1	0.26
Total quality factor	Qts	1	0.25
Suspension compliance	Cms	$10^{-6} \cdot \text{m/N}$	180
Effective piston area	Sd	m^2	0.0539
Equivalent Cas air load	Vas	m^3	0.0741
Max linear excursion	Xmax	mm	± 5.0
Linear displacement volume	Vd	$10^{-3} \cdot \text{m}^3$	0.2696
Reference efficiency	η_0	%	3.3
Unity load volume	Vas.Qts ²	$10^{-3} \cdot \text{m}^3$	4.5

Absolute maximum ratings

Short term max. input voltage	Vmax	V	150
Max. excursion before damage	Xdam	mm	± 16.0
Ambient operating temperature	Ta	$^{\circ}\text{C}$	-10 to +50
Storage temperature		$^{\circ}\text{C}$	-20 to +70
Environmental withstanding			Humidity proof



Mounting information

Air volume occupied by the driver	$10^{-3} \cdot \text{m}^3$	2.70
Speaker net mass	kg	8.90
Baffle cut-out diameter (front mounting)	mm	282.0
Bolt number & Metric diameter	-	8x M6
Bolt circle diameter	mm	300 to 308
Max overall dimension (on ears)	mm	326.5
Max overall dimension (out of ears)	mm	307.0
Flange height	mm	12.8
Max magnet diameter	mm	204.0
Max depth (front mounting)	mm	128.5
Recommended reflex box	Lts / Hz	-
Electrical connection		Ø4 mm Push button

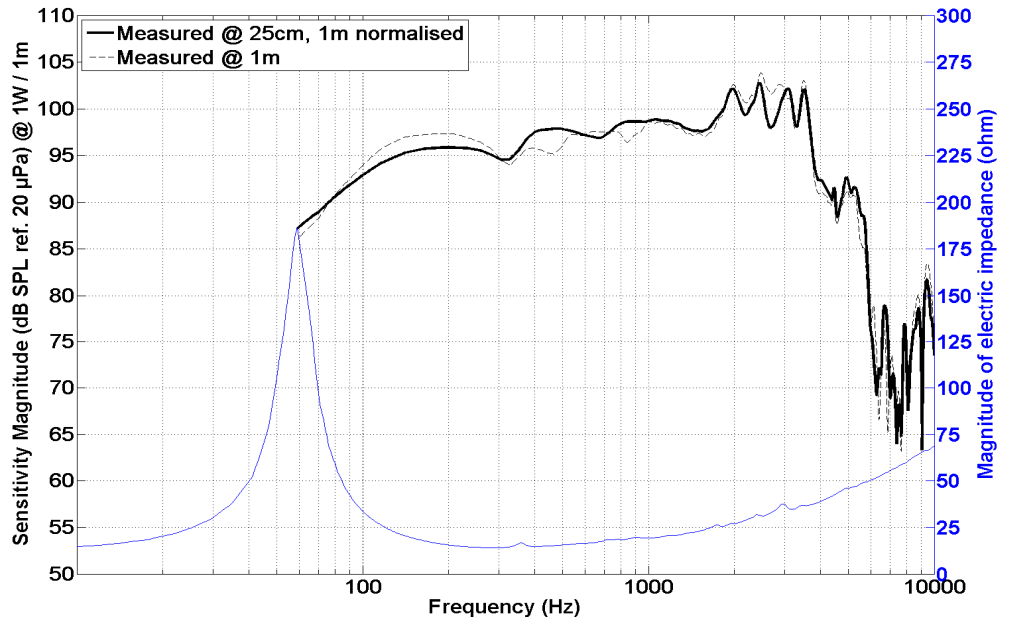


4061

12" low-mid driver

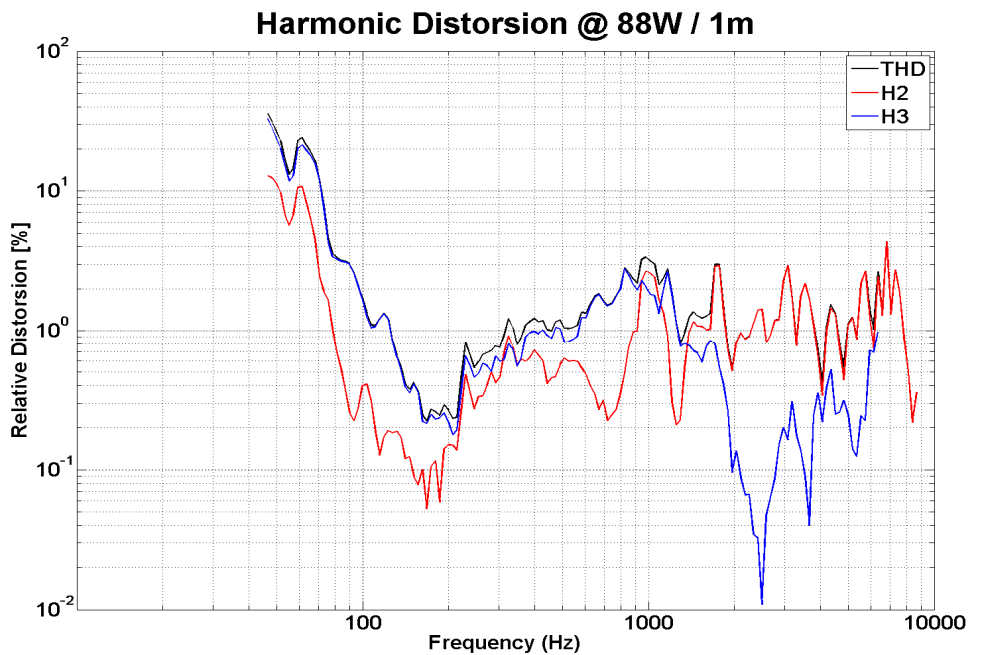
SPL curves measured on CEI standard baffle :

- . at 25 cm, normalised 1 m
- . at 1 m for reference
- . Graph amplitude = 60 dB (PHL Audio standard)



HD curve measured on CEI standard baffle :

- . at 1 meter
- . at power = $P_{AES} / 4$
- . Graph amplitude 0.01 % to 100 % (PHL Audio standard for $P_{AES}/4$)



Non linear curves measured thanks to Klippel software and hardware, in free air

