



4630

12" low-mid driver / 1" coaxial

Nominal Diameter	12" / 30 cm
Rated Impedance	8 Ω
Sensitivity	96 dB SPL
Power Handling Capacity	300 W AES
SPL max (continuous)	117 dB SPL
Usable frequency range	40-4000 Hz
Speaker net mass	6,4 kg



Architecture highlights :

- Natural convection Intercooling System
- Front side coated curvilinear cone designed for 2 way systems operation
- High compliance double half-roll fabric surround
- Coaxial hole for 1" throat compression driver

Motor architecture

Magnet material	-	Fe
Voice coil diameter	mm	64
Voice coil length	mm	14,5
Air gap height	mm	8

Typical characteristics

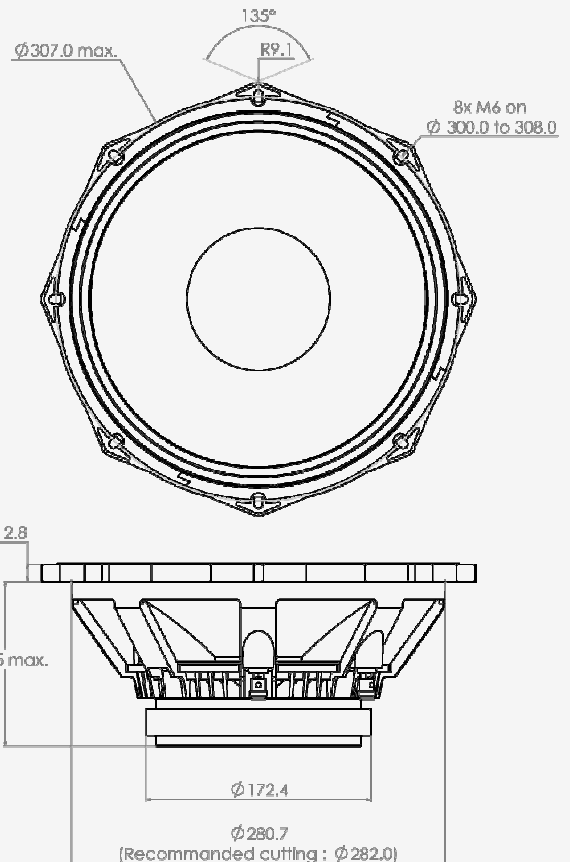
Rated impedance	Z	Ω	8
Half space sensitivity (1W@1m)	-	dB SPL	96,0
Usable freq. range	-	Hz	40-4000
Power handling capacity (AES)	-	W	300
Max Sound Pressure Level	SPL _{max}	dB SPL	117
Min. impedance modulus	Z _{min}	Ω@Hz	6.0@340
Voice-coil inductance @ 1kHz	Le _{1k}	mH	-
Voice-coil inductance @ 10kHz	Le _{10k}	mH	-
BL product	BL	N/A	15,2
Moving mass	Mms	kg	0,050

Thiele-Small parameters

Resonance frequency	Fs	Hz	50 (±5)
DC Resistance	Re	Ω	5.3 (±0.5)
Mechanical quality factor	Qms	1	3,49
Electrical quality factor	Qes	1	0,36
Total quality factor	Qts	1	0,33
Suspension compliance	Cms	10 ⁻⁶ .m/N	200
Effective piston area	Sd	m ²	0,0499
Equivalent Cas air load	Vas	m ³	0,0706
Max linear excursion	Xmax	mm	± 5,5
Linear displacement volume	Vd	10 ⁻³ .m ³	0,2743
Reference efficiency	η ₀	%	2,4
Unity load volume	Vas.Qts ²	10 ⁻³ .m ³	7,5

Absolute maximum ratings

Short term max. input voltage	Vmax	V	100
Max.excursion before damage	Xdam	mm	± 12,0
Ambient operating temperature	Ta	°C	-10 to +50
Storage temperature		°C	-20 to +70
Environmental withstanding			Humidity proof



Mounting information

Air volume occupied by the driver	10 ⁻³ .m ³	2,20
Speaker net mass	kg	6,40
Baffle cut-out diameter (front mounting)	mm	282,0
Bolt number & Metric diameter	-	8x M6
Bolt circle diameter	mm	300 to 308
Max overall dimension (on ears)	mm	326.5
Max overall dimension (out of ears)	mm	307.0
Flange height	mm	12,8
Max magnet diameter	mm	172,5
Max depth (front mounting)	mm	124,5
Recommended reflex box	Lts / Hz	50L/48Hz
Electrical connection		Ø4 mm Push buttons