



## 5062M

Nominal Diameter	15" / 38 cm
Rated Impedance	8 Ω
Sensitivity	98 dB SPL
Power Handling Capacity	500 W AES
SPL max (continuous)	121 dB SPL
Usable frequency range	40 - 2000 Hz
Speaker net mass	7.7 kg

## 15" bass driver



### Architecture highlights :

- Natural convection Intercooling System
- Front side coated curvilinear cone
- High compliance double half-roll fabric surround
- Ultra light injection molded basket

### Motor architecture

Magnet material	-	Fe
Voice coil diameter	mm	77
Voice coil length	mm	20
Air gap height	mm	10

### Typical characteristics

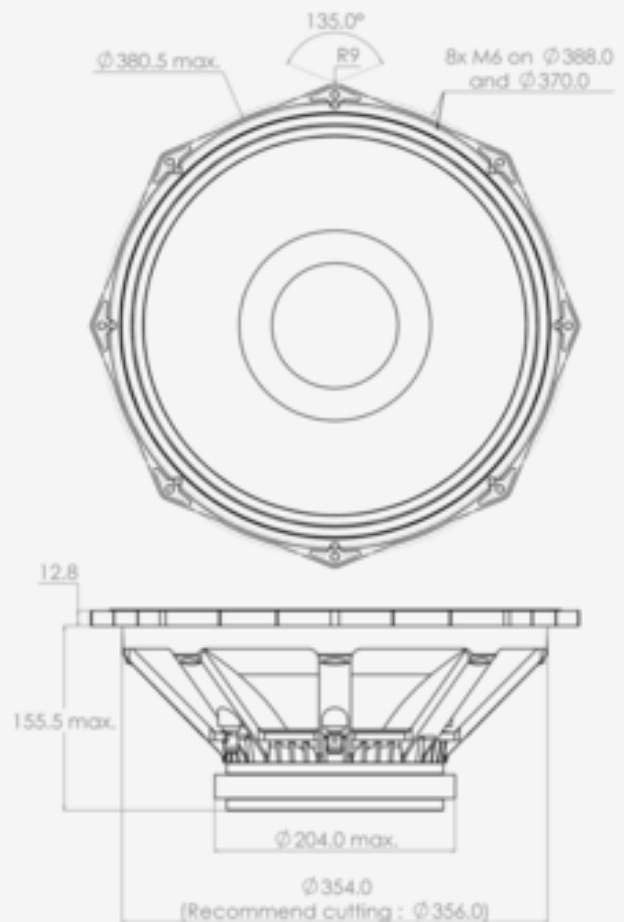
Rated impedance	Z	Ω	8
Half space sensitivity (1W@1m)	-	dB SPL	98,0
Usable freq. range	-	Hz	40 - 2000
Power handling capacity (AES)	-	W	500
Max Sound Pressure Level	SPL <sub>max</sub>	dB SPL	121
Min. impedance modulus	Z <sub>min</sub>	Ω@Hz	6.9@220
Voice-coil inductance @ 1kHz	Le <sub>1k</sub>	mH	1,725
Voice-coil inductance @ 10kHz	Le <sub>10k</sub>	mH	0,743
BL product	BL	N/A	23,4
Moving mass	Mms	kg	0,1130

### Thiele-Small parameters

Resonance frequency	Fs	Hz	39 (±5)
DC Resistance	Re	Ω	5.6 (±0.6)
Mechanical quality factor	Qms	1	3,92
Electrical quality factor	Qes	1	0,28
Total quality factor	Qts	1	0,26
Suspension compliance	Cms	10 <sup>-6</sup> .m/N	150
Effective piston area	Sd	m <sup>2</sup>	0,0892
Equivalent Cas air load	Vas	m <sup>3</sup>	0,1671
Max linear excursion	Xmax	mm	± 6,0
Linear displacement volume	Vd	10 <sup>-3</sup> .m <sup>3</sup>	0,5352
Reference efficiency	η <sub>0</sub>	%	3,3
Unity load volume	Vas.Qts <sup>2</sup>	10 <sup>-3</sup> .m <sup>3</sup>	11,5

### Absolute maximum ratings

Short term max. input voltage	Vmax	V	125
Max. excursion before damage	Xdam	mm	± 14,0
Ambient operating temperature	Ta	°C	-10 to +50
Storage temperature		°C	-20 to +70
Environmental withstanding			Tropical



### Mounting information

Air volume occupied by the driver	10 <sup>-3</sup> .m <sup>3</sup>	4,40
Speaker net mass	kg	7,70
Baffle cut-out diameter (front mounting)	mm	356.0
Bolt number & Metric diameter	-	8x M6
Bolt circle diameter	mm	370 & 388
Max overall dimension (on ears)	mm	406.5
Max overall dimension (out of ears)	mm	380.5
Flange height	mm	13.0
Max magnet diameter	mm	204,0
Max depth (front mounting)	mm	155,5
Recommended reflex box	Lts / Hz	78L / 42Hz
Electrical connection		Ø4 mm Push buttons