



## 5391M

|                         |              |
|-------------------------|--------------|
| Nominal Diameter        | 15" / 38 cm  |
| Rated Impedance         | 16 Ω         |
| Sensitivity             | 98,5 dB SPL  |
| Power Handling Capacity | 300 W AES    |
| SPL max (continuous)    | 119 dB SPL   |
| Usable frequency range  | 60 - 3000 Hz |
| Speaker net mass        | 7,7 kg       |

## 15 inches bass driver



### Architecture highlights :

- Natural convection Intercooling System
- Front side coated curvilinear cone designed for 2 way systems operation
- High compliance double half-roll fabric surround
- Ultra light injection molded basket
- Ultra light CCAR voice coil

### Motor architecture

|                     |    |    |
|---------------------|----|----|
| Magnet material     | -  | Fe |
| Voice coil diameter | mm | 77 |
| Voice coil length   | mm | 15 |
| Air gap height      | mm | 10 |

### Typical characteristics

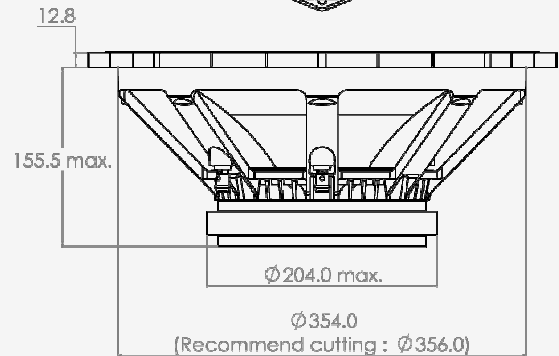
|                                |                    |        |           |
|--------------------------------|--------------------|--------|-----------|
| Rated impedance                | Z                  | Ω      | 16        |
| Half space sensitivity (1W@1m) | -                  | dB SPL | 98,5      |
| Usable freq. range             | -                  | Hz     | 60 - 3000 |
| Power handling capacity (AES)  | -                  | W      | 300       |
| Max Sound Pressure Level       | SPL <sub>max</sub> | dB SPL | 119       |
| Min. impedance modulus         | Z <sub>min</sub>   | Ω@Hz   | 13.5@230  |
| Voice-coil inductance @ 1kHz   | Le <sub>1k</sub>   | mH     | 2,462     |
| Voice-coil inductance @ 10kHz  | Le <sub>10k</sub>  | mH     | 0,816     |
| BL product                     | BL                 | N/A    | 28,8      |
| Moving mass                    | Mms                | kg     | 0,0810    |

### Thiele-Small parameters

|                            |                      |                                  |             |
|----------------------------|----------------------|----------------------------------|-------------|
| Resonance frequency        | Fs                   | Hz                               | 44 (±6)     |
| DC Resistance              | Re                   | Ω                                | 12.2 (±1.2) |
| Mechanical quality factor  | Qms                  | 1                                | 3,73        |
| Electrical quality factor  | Qes                  | 1                                | 0,33        |
| Total quality factor       | Qts                  | 1                                | 0,30        |
| Suspension compliance      | Cms                  | 10 <sup>-6</sup> .m/N            | 160         |
| Effective piston area      | Sd                   | m <sup>2</sup>                   | 0,0892      |
| Equivalent Cas air load    | Vas                  | m <sup>3</sup>                   | 0,1804      |
| Max linear excursion       | Xmax                 | mm                               | ± 5,0       |
| Linear displacement volume | Vd                   | 10 <sup>-3</sup> .m <sup>3</sup> | 0,4460      |
| Reference efficiency       | η <sub>0</sub>       | %                                | 4,5         |
| Unity load volume          | Vas.Qts <sup>2</sup> | 10 <sup>-3</sup> .m <sup>3</sup> | 16,5        |

### Absolute maximum ratings

|                               |      |    |                |
|-------------------------------|------|----|----------------|
| Short term max. input voltage | Vmax | V  | 140            |
| Max.excursion before damage   | Xdam | mm | ± 14,0         |
| Ambient operating temperature | Ta   | °C | -10 to +50     |
| Storage temperature           |      | °C | -20 to +70     |
| Environmental withstanding    |      |    | Humidity Proof |



### Mounting information

|  |                                  |                    |
|--|----------------------------------|--------------------|
| Air volume occupied by the driver        | 10 <sup>-3</sup> .m <sup>3</sup> | 4,30               |
| Speaker net mass                         | kg                               | 7,70               |
| Baffle cut-out diameter (front mounting) | mm                               | 356,0              |
| Bolt number & Metric diameter            | -                                | 8x M6              |
| Bolt circle diameter                     | mm                               | 370 & 388          |
| Max overall dimension (on ears)          | mm                               | 406,5              |
| Max overall dimension (out of ears)      | mm                               | 380,5              |
| Flange height                            | mm                               | 13,0               |
| Max magnet diameter                      | mm                               | 204,0              |
| Max depth (front mounting)               | mm                               | 155,5              |
| Recommended reflex box                   | Lts / Hz                         | 80L / 50Hz         |
| Electrical connection                    |                                  | Ø4 mm Push buttons |