



6051

Nominal Diameter	15" / 38 cm
Rated Impedance	6 Ω
Sensitivity	97,5 dB SPL
Power Handling Capacity	700 W AES
SPL max (continuous)	122 dB SPL
Usable frequency range	40 - 1200 Hz
Speaker net mass	10,9 kg

15 inches bass driver



Architecture highlights :

- Natural convection Intercooling system for noiseless sound reproduction
- Front side coated diaphragm
- High compliance double half-roll fabric surround

Motor architecture

Magnet material	-	Fe
Voice coil diameter	mm	101
Voice coil length	mm	17
Air gap height	mm	10

Typical characteristics

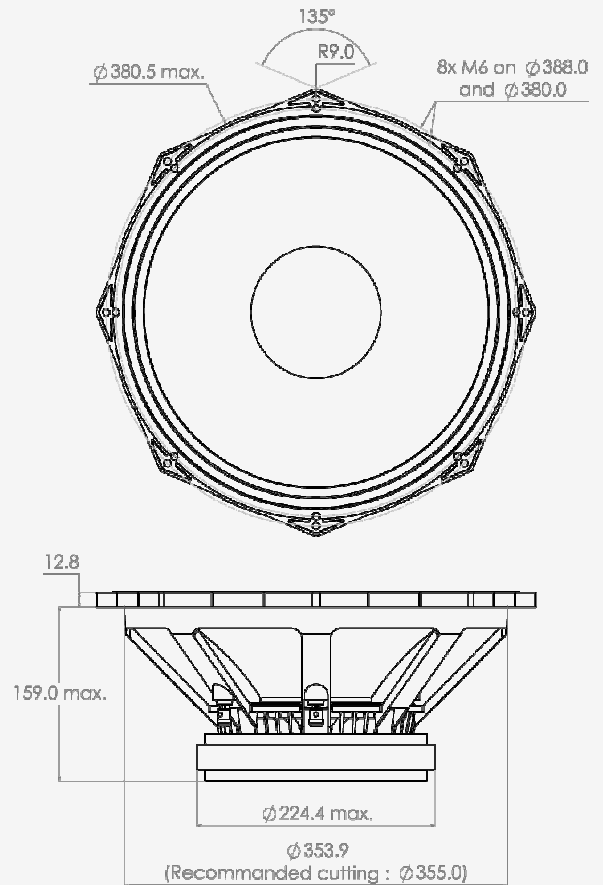
Rated impedance	Z	Ω	6
Half space sensitivity (1W@1m)	-	dB SPL	97,5
Usable freq. range	-	Hz	40 - 1200
Power handling capacity (AES)	-	W	700
Max Sound Pressure Level	SPL _{max}	dB SPL	122
Min. impedance modulus	Z _{min}	Ω@Hz	5.1@240
Voice-coil inductance @ 1kHz	Le _{1k}	mH	1,346
Voice-coil inductance @ 10kHz	Le _{10k}	mH	0,724
BL product	BL	N/A	25,1
Moving mass	Mms	kg	0,1380

Thiele-Small parameters

Resonance frequency	Fs	Hz	39 (±5)
DC Resistance	Re	Ω	4.1 (±0.4)
Mechanical quality factor	Qms	1	4,21
Electrical quality factor	Qes	1	0,22
Total quality factor	Qts	1	0,21
Suspension compliance	Cms	10 ⁻⁶ .m/N	120
Effective piston area	Sd	m ²	0,0892
Equivalent Cas air load	Vas	m ³	0,1356
Max linear excursion	Xmax	mm	± 6,0
Linear displacement volume	Vd	10 ⁻³ .m ³	0,5352
Reference efficiency	η ₀	%	3,5
Unity load volume	Vas.Qts ²	10 ⁻³ .m ³	5,9

Absolute maximum ratings

Short term max. input voltage	Vmax	V	130
Max.excursion before damage	Xdam	mm	± 14,0
Ambient operating temperature	Ta	°C	-10 to +50
Storage temperature		°C	-20 to +70
Environmental withstanding			Tropical



Mounting information

Air volume occupied by the driver	10 ⁻³ .m ³	5,00
Speaker net mass	kg	10,90
Baffle cut-out diameter (front mounting)	mm	355,0
Bolt number & Metric diameter	-	8x M6
Bolt circle diameter	mm	370 and 388
Max overall dimension (on ears)	mm	406,5
Max overall dimension (out of ears)	mm	380,5
Flange height	mm	12,8
Max magnet diameter	mm	224,4
Max depth (front mounting)	mm	159,0
Recommended reflex box	Lts / Hz	55L / 55Hz
Electrical connection		Ø4 mm Push buttons