



## 982Nd

## 5 inches low-mid coaxial driver

Nominal Diameter	5" / 13 cm
Rated Impedance	8
Sensitivity	92 dB SPL
Power Handling Capacity	100 W AES
SPL max (continuous)	109 dB SPL
Usable frequency range	110 - 16 000 Hz
Speaker net mass	1.04 kg



### Architecture highlights :

- Time aligned coaxial HF driver
- Noiseless natural convection Intercooling System
- Neodymium magnet system with symmetric  $BL(x)$  and  $Le(x)$
- High excursion fabric surround
- Lightweight basket

### Motor architecture

Magnet material	-	Nd
Voice coil diameter	mm	38
Voice coil length	mm	12
Air gap height	mm	6

### Typical characteristics

Rated impedance	Z	$\Omega$	8
Half space sensitivity (1W@1m)	-	dB SPL	92.0
Usable freq. range	-	Hz	110 - 4000
Power handling capacity (AES)	-	W	100
Max Sound Pressure Level	SPL <sub>max</sub>	dB SPL	109
Min. impedance modulus	Z <sub>min</sub>	$\Omega$ @Hz	6.4@650
Voice-coil inductance @ 1kHz	Le <sub>1k</sub>	mH	0.590
Voice-coil inductance @ 10kHz	Le <sub>10k</sub>	mH	0.233
BL product	BL	N/A	8.8
Moving mass	Mms	kg	0.0085

### Thiele-Small parameters

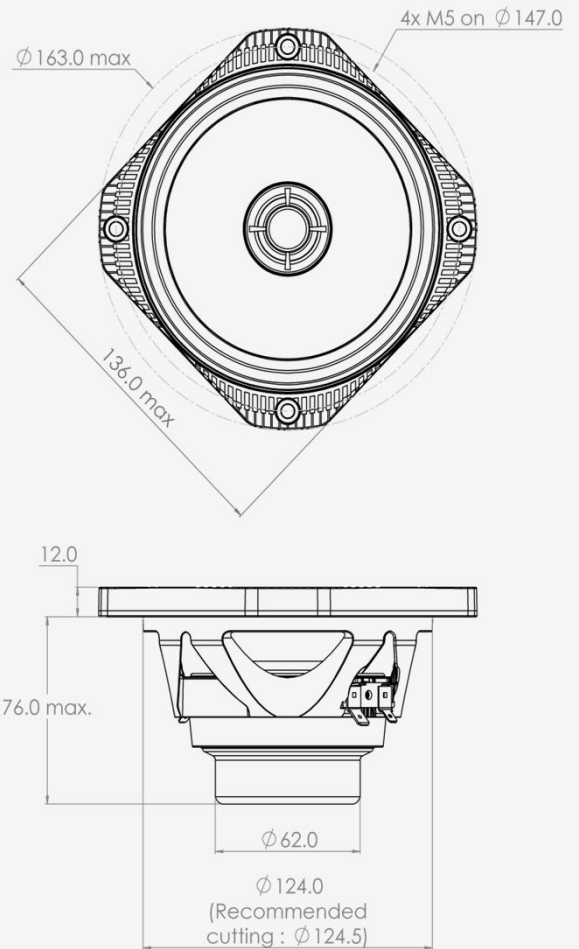
Resonance frequency	Fs	Hz	130 ( $\pm 20$ )
DC Resistance	Re	$\Omega$	5.7 ( $\pm 0.6$ )
Mechanical quality factor	Qms	1	3.65
Electrical quality factor	Qes	1	0.51
Total quality factor	Qts	1	0.45
Suspension compliance	Cms	$10^{-6}$ .m/N	180
Effective piston area	Sd	m <sup>2</sup>	0.0096
Equivalent Cas air load	Vas	m <sup>3</sup>	0.0023
Max linear excursion	Xmax	mm	$\pm 4.5$
Linear displacement volume	Vd	$10^{-3}$ .m <sup>3</sup>	0.0432
Reference efficiency	$\eta_0$	%	0.9
Unity load volume	Vas.Qts <sup>2</sup>	$10^{-3}$ .m <sup>3</sup>	0.5

### Absolute maximum ratings

Short term max. input voltage	Vmax	V	55
Max. excursion before damage	Xdam	mm	$\pm 12.0$
Ambient operating temperature	Ta	$^{\circ}\text{C}$	-10 to +50
Storage temperature		$^{\circ}\text{C}$	-20 to +70
Environmental withstanding			Tropical

### Coaxially mounted HF Unit

Rated impedance	Z	W	4
Half space sensitivity (1W@1m)	-	dB SPL	97.0
Usable freq. range	-	Hz	2 000 - 16 000
Power handling capacity (AES)	-	W	30



### Mounting information

Air volume occupied by the driver	$10^{-3}$ .m <sup>3</sup>	0.18
Speaker net mass	kg	1.0
Baffle cut-out diameter (front mounting)	mm	124.5
Bolt number & Metric diameter	-	4x M5
Bolt circle diameter	mm	147.0
Max overall dimension (on ears)	mm	163.0
Max overall dimension (out of ears)	mm	136.0
Flange height	mm	12.0
Max magnet diameter	mm	-
Max depth (front mounting)	mm	76.0
Recommended reflex box	Lts / Hz	5L / 110Hz
Electrical connection		6.35x0.8 + 4.8x0.5 FASTON