

850BePB-8/16 2" exit HF driver



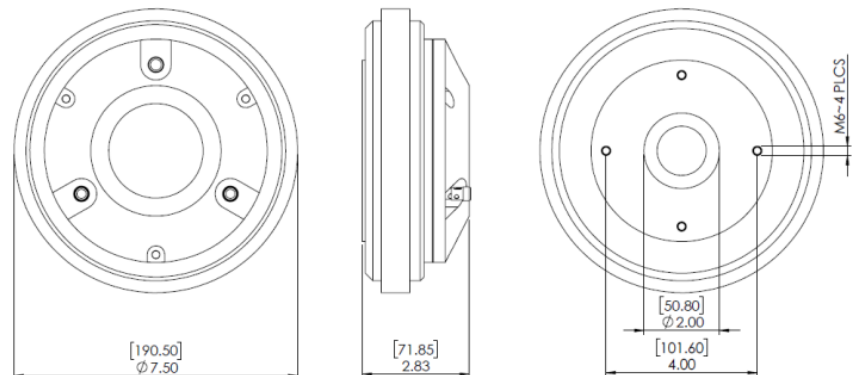
SPECIFICATIONS

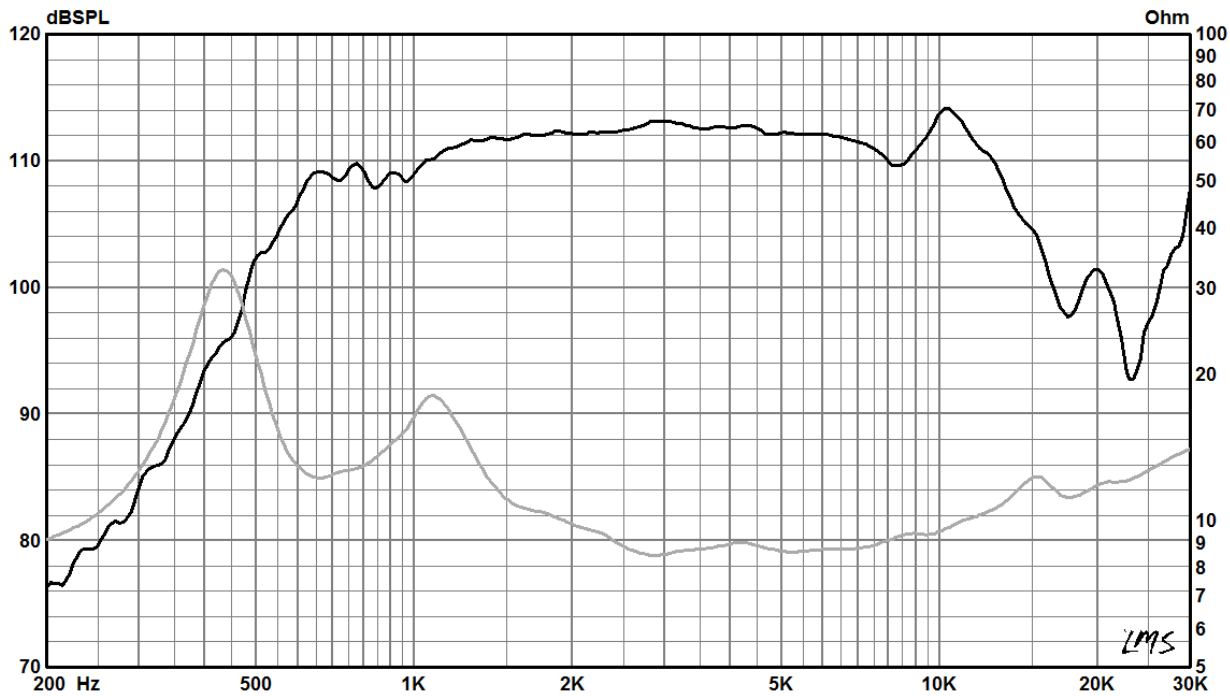
| | |
|--|--------------------|
| Nominal exit diameter | 2"/51 mm |
| Rated impedance | 8/16 Ω |
| Power handling ¹ | 110 W |
| Continuous program power ² | 220 W |
| Sensitivity ³ | 112 dB |
| Rated frequency range ⁴ | 500 Hz –20 kHz |
| Recommended min. XO frequency ⁴ | 500 Hz |
| Re | 6.2/12.4 Ω |
| Minimum impedance | 7.8/ 15.8 Ω |
| Diaphragm material | Beryllium |
| Voice coil diameter | Proprietary |
| Voice coil winding | Proprietary |
| Voice coil wire | Proprietary |
| Voice coil former | Proprietary |
| Magnet | Ferrite ring |

Mounting and mechanical parameters

| | |
|------------------|--|
| Mounting | 4 x M6 on \varnothing 101.6mm (4 in) |
| Overall diameter | 190.5 mm (7.5 in) |
| Overall depth | 71.9 mm (2.83 in) |
| Net weight | 6.63 kg (14.6 lbs.) |

- transparent, high resolution sound
- low compression ratio phasing plug and fast expanding exit adapter eliminates typical compression driver distortion
- designed to withstand long term extreme stress operation with high peak factor
- ideal for touring sound, stage monitors, high performance installed and portable sound systems
- heat stabilized polymer surround ensures low distortion at high SPL and long term performance stability
- high performance 76.3mm (3") edge-wound ribbon wire voice coil with advanced adhesives for maximum reliability
- 220 W continuous program power
- self-aligning diaphragm assembly facilitates service in the field





Frequency response and impedance of 850BePB-16
on specified horn, free field ³.

Specifications notes

1. AES2-1984 Rev.2003. Radian Audio tests power using voltage levels calculated based on rated impedance, according to AES and IEC 60268-5 standards, as better reflecting real life operating conditions. To be distinguished from power specification approach that uses minimum impedance, resulting in inflated power rating.
2. Continuous program power is defined at 3dB higher than AES power and reflects power handling capacity for typical music and cinema content reproduction.
3. Driver mounted on horn with 90°x60° nominal coverage and following dimensions: 229 mm (9") mouth width, 191 mm (7.5") mouth height, 185mm (7.3") horn depth. Measured at 1W/1m in simulated free field conditions as per AES 2-2012 and IEC 60268-5 (Ed.3.1 2007-09). Sensitivity is calculated based on SPL frequency response at 1W/1m, averaged in 1.0 kHz – 5 kHz band.
4. Specified in accordance with IEC 60268-5 (Ed. 3.1 2007-09). Defines recommended operating frequency band for typical application with 24 dB/Oct. high pass filter. If lower filter slope rate is used, a higher XO point is recommended. Higher XO frequency is recommended, if higher max SPL is required.