

950NeoBe PB-8/16 2" exit HF



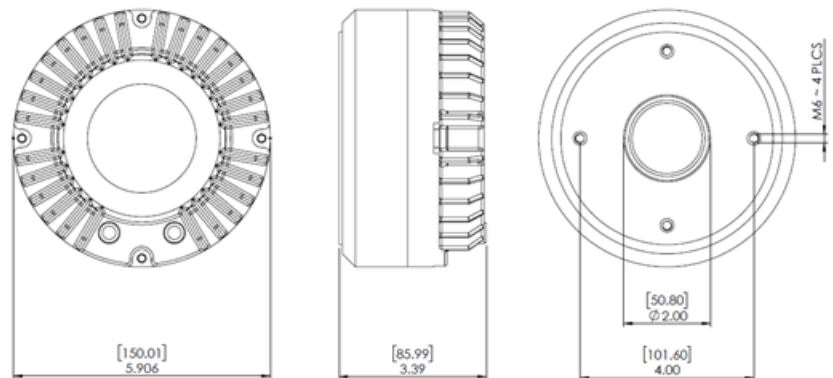
SPECIFICATIONS

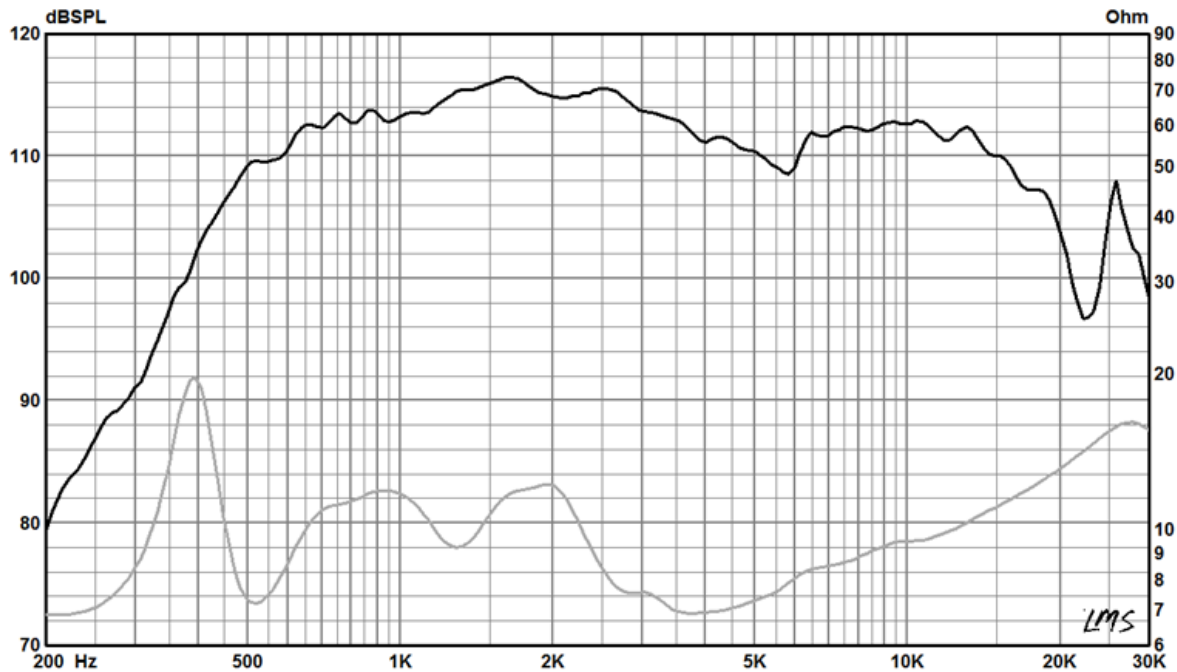
Nominal exit diameter	2"/51 mm
Rated impedance	8/16 Ω
Power handling ¹	125 W
Continuous program power ²	250 W
Sensitivity ³	113 dB
Rated frequency range ⁴	500 Hz –22 kHz
Recommended min. XO frequency ⁴	700 Hz
Re	5.4/9.2 Ω
Minimum impedance	6.8/ 10.2 Ω
Diaphragm material	Beryllium
Voice coil diameter	Proprietary
Voice coil winding	Proprietary
Voice coil wire	Proprietary
Voice coil former	Proprietary
Magnet	Neodymium ring

Mounting and mechanical parameters

Mounting	4 x M6 on \varnothing 101.6mm (4")
Overall diameter	118.6 mm (4.67 in)
Overall depth	55 mm (2.17 in)
Net weight	2.09 kg (4.6 lbs.)
Shipping weight	2.72 kg (6.0 lbs.)

- Delivers extreme max SPL output
- transparent, high resolution sound
- low compression ratio phasing plug and fast expanding exit adapter eliminates typical compression driver distortion
- unparalleled HF extension in its class
- withstands long term extreme stress operation with high peak factor
- compact design, ideal for touring line arrays and top tier sound systems where light weight and very high SPL is required
- heat stabilized polymer surround ensures low distortion at high SPL and long term performance stability
- high performance 101.6 mm (4") edge-wound, copper clad aluminum wire VC
- 250 W continuous program power
- self-aligning diaphragm assembly facilitates service in the field





Frequency response and impedance of 950NeoBePB-16
on specified horn, free field ³.

Specifications notes

1. AES2-1984 Rev.2003. Radian Audio tests power using voltage levels calculated based on rated impedance, according to AES and IEC 60268-5 standards, as better reflecting real life operating conditions. To be distinguished from power specification approach that uses minimum impedance, resulting in inflated power rating.
2. Continuous program power is defined at 3dB higher than AES power and reflects power handling capacity for typical music and cinema content reproduction.
3. Driver mounted on horn with 90°x60° nominal coverage and following dimensions: 229 mm (9") mouth width, 191 mm (7.5") mouth height, 185mm (7.3") horn depth. Measured at 1W/1m in simulated free field conditions as per AES 2-2012 and IEC 60268-5 (Ed.3.1 2007-09). Sensitivity is calculated based on SPL frequency response at 1W/1m, averaged in 700Hz – 5 kHz band.
4. Specified in accordance with IEC 60268-5 (Ed. 3.1 2007-09). Defines recommended operating frequency band for typical application with 24 dB/Oct. high pass filter. If lower filter slope rate is used, a higher XO point is recommended. Higher XO frequency is recommended, if higher max SPL is required.