

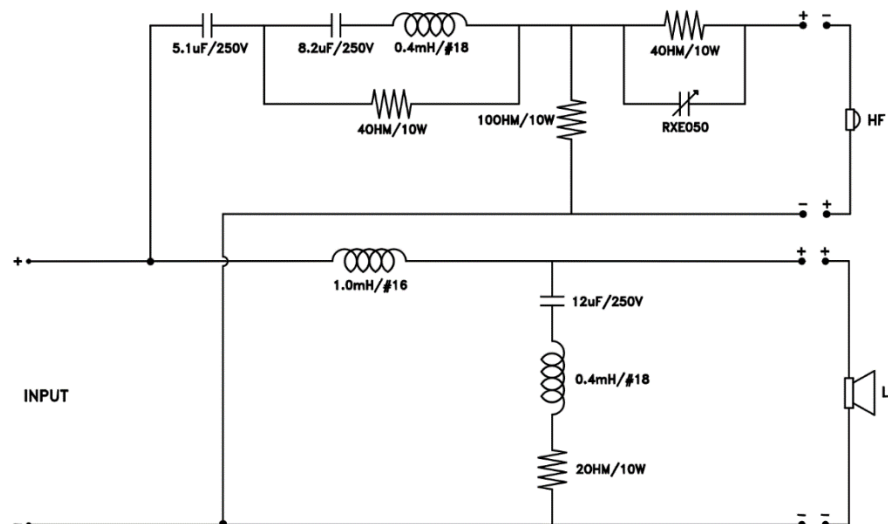
# 6CRF5130-XO crossover



## SPECIFICATIONS

Speaker driver model number	6CRF5130
Crossover frequency	1500Hz
LF XO electric slope rate	18 dB/oct.
HF XO electric slope rate	6 dB/oct.
Power handling <sup>1</sup>	150 W
HF protection	RXE050 poly switch
Input	18 AWG wire, 0.5m
LF output	18 AWG wire, 0.5m
HF output	18 AWG wire, 0.5 m quick-disconnect terminals
Mounting	4x 4.5 mm holes
Size, mm	150x130x40
Net weight	0.720 kg (1.58 lbs.)

- Designed and optimized for Radian 6CRF5130 coaxial drivers flush mounted in 6.5L test box with 8.3"x8.3" (210 mm x 210 mm) front baffle<sup>2</sup>
- provides balanced reproduction for a typical on-wall or half-space (in-ceiling, in-wall) application
- coherent acoustic integration of LF and HF frequency bands results in even coverage and balanced room power response
- premium high voltage polypropylene capacitors, low distortion air core inductors with minimal insertion loss
- poly switch HF protection with – 6dB attenuation



## Specifications notes

1. The XO has been tested for 2 hours with specified driver model using IEC noise signal with 6 dB peak factor.
2. Mounting the driver in other than specified manner (flush) or in a box with significantly different baffle dimensions may alter its response. Crossover adjustment may be required for best results.