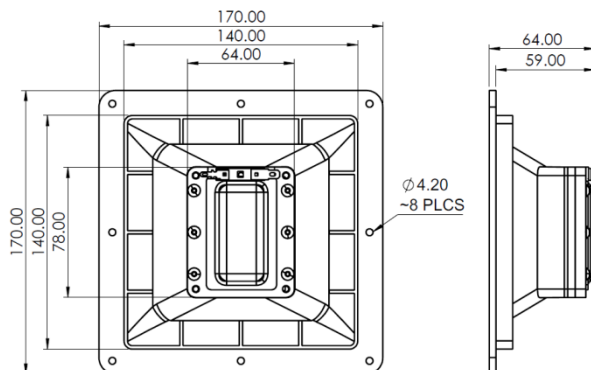
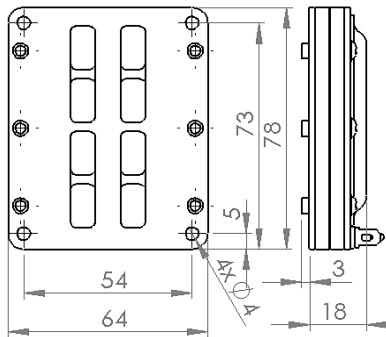
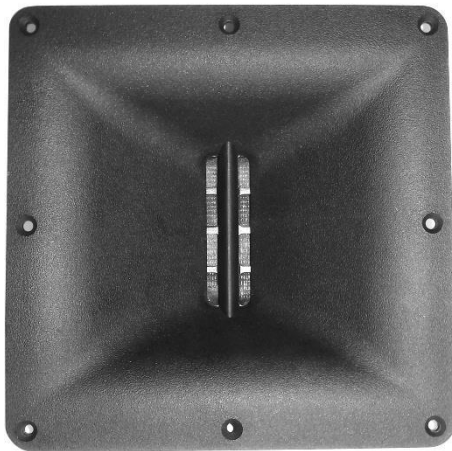
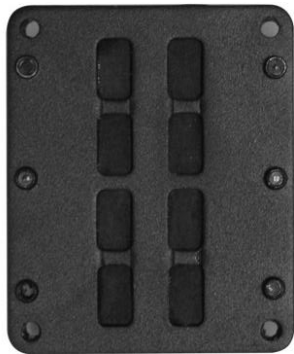


# LT3

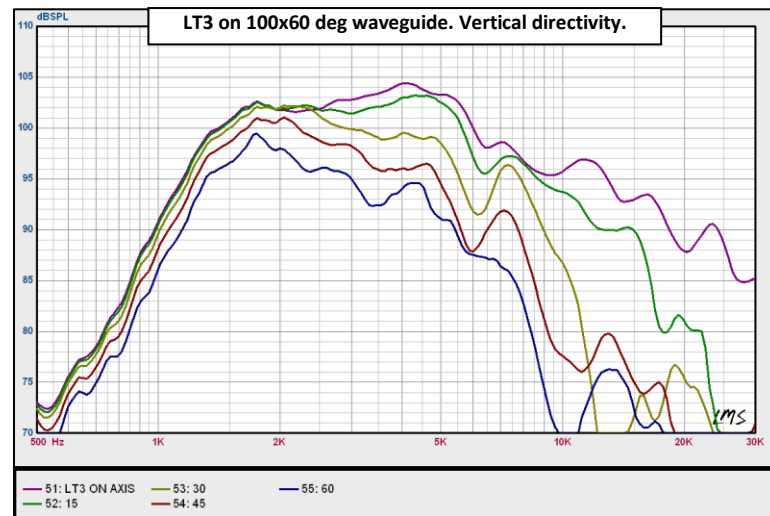
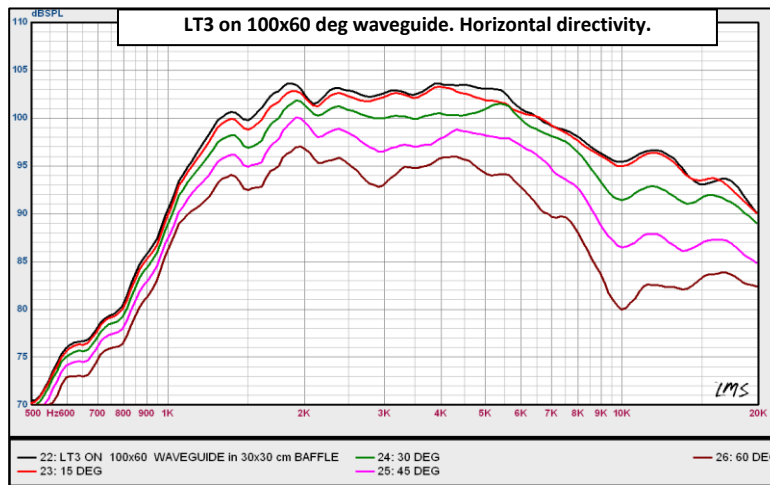
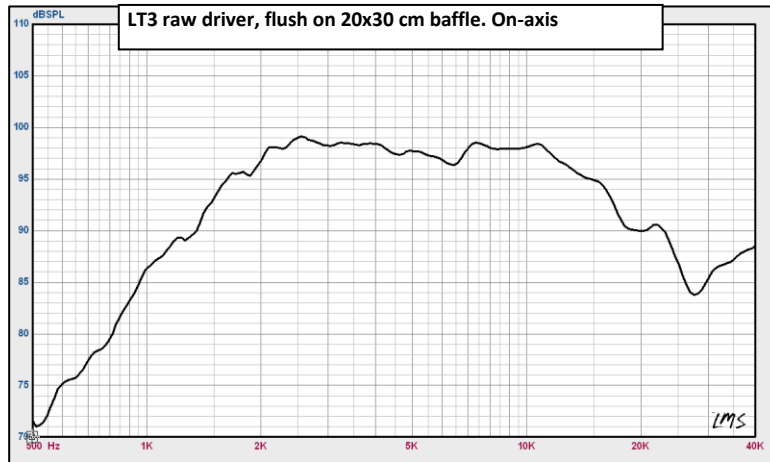
## HF Planar ribbon transducer



- Proprietary design with Neo magnets Kapton diaphragm and glass filled polymer waveguide
- high sensitivity and flat resistive impedance
- extremely low distortion due to absence of voice coil inductance and related intermodulation effects
- exceptional sonic transparency and resolution surpassing conventional HF drivers
- wide and even horizontal dispersion
- reliable design, successfully proven in long term operations in residential and commercial applications
- optimized for line arrays with maximized ratio of radiating slots length to total driver
- optional configurations available for custom orders: weatherproof version, raw driver without waveguide for custom mounting, open back version with dipole radiation pattern

### SPECIFICATIONS

Nominal size	3"/78mm
Radiating configuration	
Closed back (with rear cup)	standard
Dipole (open back)/ custom cup	optional
Rated impedance	5 Ω
Power handling, AES <sup>1</sup>	20 W
Long-term maximum power, IEC <sup>1</sup>	30 W
Short-term maximum power, IEC <sup>1</sup>	60 W
Sensitivity, 1W/1m, raw driver <sup>2</sup>	96 dB
Sensitivity, 1W/1m, on waveguide <sup>2</sup>	101 dB
Effective frequency range <sup>3</sup>	1.5 kHz – 25 kHz
Horizontal coverage angle <sup>4</sup>	100 deg
Vertical coverage angle <sup>4</sup>	60 deg
Diaphragm	Kapton
Current carrying conductors	Aluminum foil
Displacement limit for VC	0.5 mm
Minimum impedance = Re ( inductive component is absent)	Impedance is predominantly constant @ Re=4.1 Ω
Magnet material	Neodymium
Driver plates material	Powder coated steel
Recommended minimum XO point	
12 dB/Oct.	1.8-2 kHz
6 dB/Oct.	3 kHz
Net weight	270 g (0.6 lb.)



1. AES refers to AES2-1984 Rev.2003. IEC refers to IEC 60268-5. AES power handling tested using IEC60268-1 noise signal for duration of 2 hours in effective frequency range in free air.
2. Specified for two cases. Raw driver without waveguide mounted on 20x30 cm baffle. With 100x60 deg, 170x170x45 mm constant directivity waveguide mounted on 30x30 cm baffle. The number is calculated based on measured response data at 1m/ 2.83V averaged within 2 kHz- 5 kHz range and scaled to 1W/1m value.
3. Measured in accordance with IEC 60268-5, defined at -10 dB below SPL averaged in 2 kHz- 5 kHz range.
4. Horizontal coverage angle defined at -6dB, averaged on octave band center points in 2 kHz-20 kHz range. Driver mounted on a 100x60 deg waveguide (170x170x45 mm) and tested in 30x30 cm baffle. Vertical directivity is estimated within 2-10 kHz range.