

IPS 2.5K

AMPLIFICATEUR DE PUISSANCE PROFESSIONNEL À DEUX CANAUX

DESCRIPTION

La Série IPS est une gamme d'amplificateurs 2 canaux professionnels alliant amplification de Classe H de dernière génération et fiabilité à long terme. L'IPS 2.5K est un amplificateur à 2 canaux délivrant jusqu'à 2 x 1250 W sur une impédance de 4 ohms. Il dispose de contrôles de gain séparés, de LED de présence signal, écrêtage et défaut, d'une entrée stéréo sur XLR avec renvoi Link, d'un mode stéréo/parallèle/bridge et de connecteurs de sortie de type speakON et sur bornier à vis. De plus, il est protégé contre les courts-circuits. Grâce à ses dissipateurs à haute efficacité et à ses ventilateurs à vitesse variable, l'IPS 2.5K résiste aux températures extrêmes, ce qui garantit une fiabilité totale.



CARACTÉRISTIQUES

- Amplis Classe H 2 x 1250 W
- Réponse rapide et faible distorsion
- Modes stéréo, parallèle, bridge
- Circuits de protection complets
- Système de refroidissement à vitesse variable
- Indicateurs LED de présence signal, écrêtage et défaut
- Connecteurs d'entrée XLR
- Connecteurs de sortie speakON et bornier à vis
- Limiteur sur chaque canal

SPÉCIFICATIONS

Specifications amplification	Classe d'amplificateur :	H
	Output power:	2 x 1250 W @ 4 ohm 2 x 800 W @ 8 ohm 1 x 2500 W @ 8 ohm (bridge)
	Réponse en fréquence (-3 dB) :	20 Hz ÷ 22000 Hz
	Diaphonie :	<80 dB
	Distorsion (THD+N) @ tension nominale de 1 kHz :	<0.01 %
Section entrées	Nombre total d'entrées :	2
	Équilibré :	2
	Mono :	2
	Entrées de ligne :	2
	Connecteurs de ligne :	XLR
Section sortie	Numéro de sortie du signal :	2
	Connecteurs de sortie du signal :	XLR
	Connecteurs de sortie de tension :	Binding Post, Speakon
Configuration et contrôle	Configuration :	DIP switch, Front panel
Protections	Système de refroidissement :	Forced
	Court-circuit :	Yes
	Thermique :	Yes
	CC :	Yes
	Fusibles :	Yes
	VHF (Très hautes fréquences) :	Yes
Alimentation requise	Tension de service :	220-240/115 V- 50/60Hz
	Consommation électrique (W) :	900 W
Conformité standard	Safety agency:	CE compliant
Specifications physiques	Matériau du cabinet/caisson :	Metal
	Couleur :	Black - RAL 9005
	Montage en rack :	19", 2U
Taille	Hauteur :	88 mm / 3.46 inches
	Largeur :	482 mm / 18.98 inches
	Profondeur :	325 mm / 12.8 inches
	Poids :	11.2 kg / 24.69 lbs
Infos colisage	Hauteur du colis :	140 mm / 5.51 inches
	Largeur du colis :	550 mm / 21.65 inches
	Profondeur du colis :	530 mm / 20.87 inches
	Poids du colis :	12.7 kg / 28 lbs



NUMÉRO DE PIÈCE

• **12100060**

IPS 2.5K

120V

EAN 8024530019624

• **12100059**

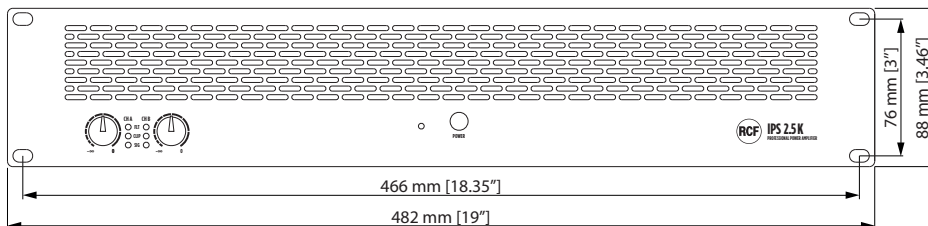
IPS 2.5K

220-240V

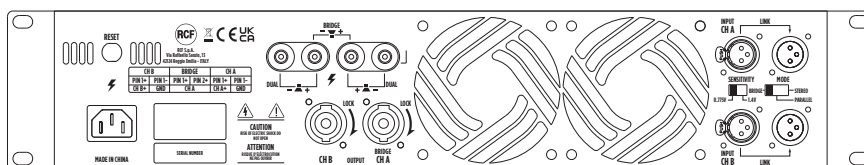
EAN 8024530019617

DRAWINGS

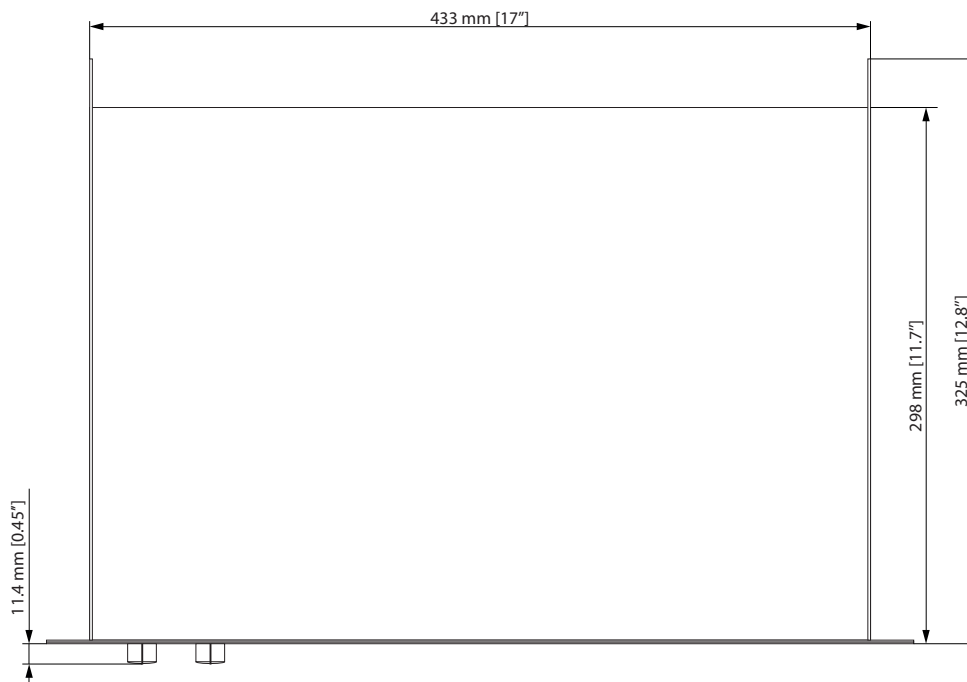
Front view



Rear view



Top view



Side view



IPS 2.5K

TWO CHANNELS PROFESSIONAL POWER AMPLIFIER

DESCRIPTION

IPS Series is a range of two channel professional amplifiers that combine the latest high-performing class-H power amplification technology with long-term reliability. IPS 2.5K is a 2-channel power amplifier that delivers up to 2 x 1250 Watts at 4 Ohms impedance. It features independent gain control, signal/clip and fault indicators, stereo XLR input and output link, stereo/parallel/bridge switch, speakON, and binding post output connectors. Moreover, it is protected against short circuits. Thanks to its high-efficiency heat sinks and variable speed fans, IPS 2.5K can withstand extreme heat conditions, ensuring complete reliability.



FEATURES

- 2 x 1250 W Class-H Power
- Fast response and low distortion
- Stereo, parallel, bridge modes
- Extensive protection circuit
- Variable speed cooling system
- Signal, clip, fault led indicators
- XLR input connectors
- speakON and binding post output connectors
- Limiter on each channel

TECHNICAL SPECIFICATIONS

Amplifier specifications	Amplifier Class:	H
	Output power:	2 x 1250 W @ 4 ohm 2 x 800 W @ 8 ohm 1 x 2500 W @ 8 ohm (bridge)
	Frequency Response (-3dB):	20 Hz ÷ 22000 Hz
	Crosstalk:	<80 dB
	Distortion (THD+N) @ 1 kHz nominal power:	<0.01 %
Input section	Total number of inputs:	2
	Balanced:	2
	Mono:	2
	Line inputs:	2
	Line connectors:	XLR
Output section	Signal output number:	2
	Signal output connectors:	XLR
	Power output connectors:	Binding Post, Speakon
Configuration and control	Configuration:	DIP switch, Front panel
Protections	Cooling:	Forced
	Short circuit:	Yes
	Thermal:	Yes
	DC:	Yes
	Fuses:	Yes
	VHF (Very High Frequencies):	Yes
Power requirement	Operating voltage:	220-240/115 V~ 50/60Hz
	Power consumption:	900 W
Standard compliance	Safety agency:	CE compliant
Physical specifications	Cabinet/Case Material:	Metal
	Color:	Black - RAL 9005
	Rack mounting:	19", 2U
Size	Height:	88 mm / 3.46 inches
	Width:	482 mm / 18.98 inches
	Depth:	325 mm / 12.8 inches
	Weight:	11.2 kg / 24.69 lbs
Shipping information	Package Height:	140 mm / 5.51 inches
	Package Width:	550 mm / 21.65 inches
	Package Depth:	530 mm / 20.87 inches
	Package Weight:	12.7 kg / 28 lbs



PART NUMBER

• **12100060**

IPS 2.5K

120V

EAN 8024530019624

• **12100059**

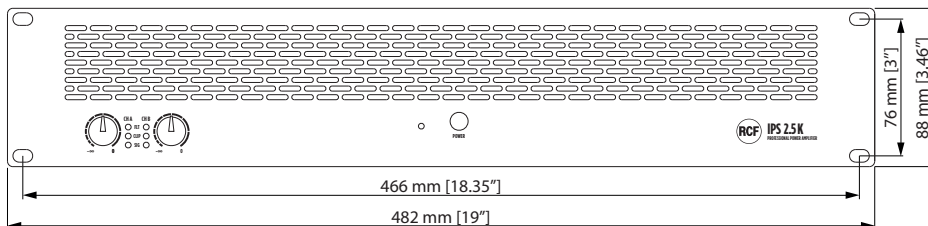
IPS 2.5K

220-240V

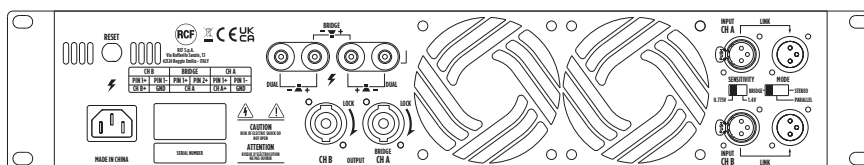
EAN 8024530019617

DRAWINGS

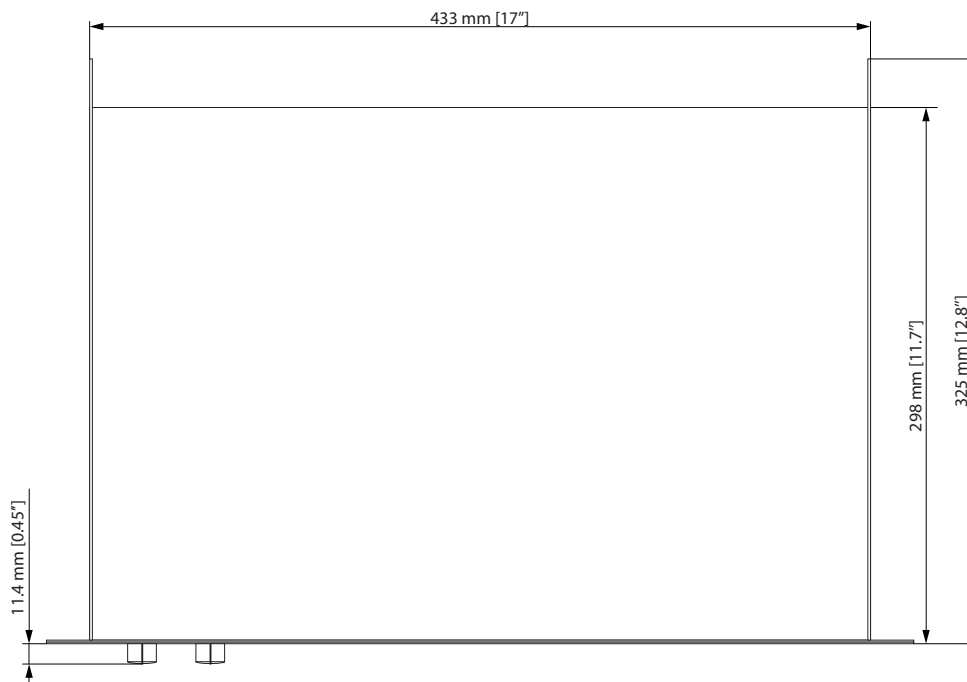
Front view



Rear view



Top view



Side view





A&E SPECIFICATIONS

The product shall be a 2 channels power amplifier able to deliver up to 2 x 1250 W @ 4 ohm. It shall combine high quality performance and reliability with the latest power amplifications technologies. This high value design shall offer, in compact 2 rack unit space, the sound quality and the durability of traditional class H amplifiers with the innovation of the latest power devices available. It shall feature independent gain controls, signal / clip and fault indicators, stereo XLR input and output link, mono / stereo / bridge switch, SPEAKON and binding post output connectors. Moreover, it shall be protected against short circuits. It shall have high efficiency heat sinks and variable speed fans, to withstand the hardest heat conditions ensuring great reliability.



IPS 5.0K
IPS 2.5K
IPS 1.5K

PROFESSIONAL POWER AMPLIFIERS

CONTENTS

CONTENTS	3
----------------	---

ENGLISH






SAFETY PRECAUTIONS AND GENERAL INFORMATION	4
DESCRIPTION	8
UNPACKING, INSTALLATION AND COOLING	8
FRONT PANEL	9
REAR PANEL	10
WIRING	11
OPERATION MODES	12
COOLING REQUIREMENTS.....	15

ITALIANO

AVVERTENZE PER LA SICUREZZA	16
DESCRIZIONE	20
DISIMBALLAGGIO, INSTALLAZIONE E RAFFREDDAMENTO	20
PANNELLO FRONTALE	21
PANNELLO POSTERIORE	22
CABLAGGIO	23
MODALITÀ DI FUNZIONAMENTO.....	24
VENTILAZIONE	27
DIMENSIONS.....	28
SPECIFICATIONS.....	29

SAFETY PRECAUTIONS AND GENERAL INFORMATION

Symbols used in this document give notice of important operating instructions and warnings which must be strictly followed.

	CAUTION	Important operating instructions: explains hazards that could damage a product, including data loss
	WARNING	Important advice concerning the use of dangerous voltages and the potential risk of electric shock, personal injury or death.
	IMPORTANT NOTES	Helpful and relevant information about the topic
	SUPPORTS, TROLLEYS AND CARTS	Information about the use of supports, trolleys and carts. Reminds to move with extreme caution and never tilt.
	WASTE DISPOSAL	This symbol indicates that this product should not be disposed with your household waste, according to the WEEE directive (2012/19/EU) and your national law.

IMPORTANT

This manual contains important information about the correct and safe use of the device. Before connecting and using this product, please read this instruction manual carefully and keep it on hand for future reference. The manual is to be considered an integral part of this product and must accompany it when it changes ownership as a reference for correct installation and use as well as for the safety precautions. RCF S.p.A. will not assume any responsibility for the incorrect installation and / or use of this product.

SAFETY PRECAUTIONS

All the precautions, in particular the safety ones, must be read with special attention, as they provide important information.

1. This product is intended for instructed person only, as defined in the IEC 62368-1 3rd Ed. Interfaces at ES3 level present.
2. This equipment is not suitable for use in locations where children are likely to be present.
3. Power supply from mains.
 - a. The mains voltage is sufficiently high to involve a risk of electrocution; install and connect this product before plugging it in.
 - b. Before powering up, make sure that all the connections have been made correctly and the voltage of your mains corresponds to the voltage shown on the rating plate on the unit, if not, please contact your RCF dealer.
 - c. Protecting earthing terminal. The apparatus should be connected to a mains socket with a protective earth connection by power cord or 3-pole power cord.
 - d. Protect the power cable from damage; make sure it is positioned in a way that it cannot be stepped on or crushed by objects.
 - e. To prevent the risk of electric shock, never open this product: there are no parts inside that the user needs to access.
 - f. Be careful: in the case of a product supplied by manufacturer without a power cord, all power cords and plug assemblies shall be in compliance with the requirements of the IEC 62368-1 and certified and suitable for use in the particular countries where the product shall be installed.
 - g. Use the mains plug to disconnect the apparatus from the mains.
4. Make sure that no objects or liquids can get into this product, as this may cause a short circuit. This apparatus shall not be exposed to dripping or splashing. No objects filled with liquid, such as vases, shall be placed on this apparatus. Do not use this apparatus near water. No naked sources (such as lighted candles) should be placed on this apparatus.

5. Never attempt to carry out any operations, modifications or repairs that are not expressly described in this manual. Contact your authorized service centre or qualified personnel should any of the following occur:
 - The product does not function (or functions in an anomalous way).
 - The power cable has been damaged.
 - Objects or liquids have got in the unit.
 - The product has been subject to a heavy impact.
6. This product does not contain user replaceable fuses. Fuses replacement is a service operation and must be performed by qualified personnel.
7. The fuse on the AC mains input may be on the neutral, the AC mains shall be disconnected to de-energize the phase.
8. If this product is not used for a long period, disconnect the power cable.
9. If this product begins emitting any strange odours or smoke, switch it off immediately and disconnect the power cable.
10. Do not connect this product to any equipment or accessories not foreseen. For suspended installation, only use the dedicated anchoring points and do not try to hang this product by using elements that are unsuitable or not specific for this purpose. Also check the suitability of the support surface to which the product is anchored (wall, ceiling, structure, etc.), and the components used for attachment (screw anchors, screws, brackets not supplied by RCF etc.), which must guarantee the security of the system / installation over time, also considering, for example, the mechanical vibrations normally generated by transducers. To prevent the risk of falling equipment, do not stack multiple units of this product unless this possibility is specified in the user manual.
11. **RCF S.p.A. strongly recommends this product is only installed by professional qualified installers (or specialised firms) who can ensure correct installation and certify it according to the regulations in force. The entire audio system must comply with the current standards and regulations regarding electrical systems.**
12. Supports, trolleys and carts.



The equipment should be only used on supports, trolleys and carts, where necessary, that are recommended by the manufacturer. The equipment / support / trolley / cart assembly must be moved with extreme caution. Sudden stops, excessive pushing force and uneven floors may cause the assembly to overturn. Never tilt the assembly.

13. There are numerous mechanical and electrical factors to be considered when installing a professional audio system (in addition to those which are strictly acoustic, such as sound pressure, angles of coverage, frequency response, etc.).
14. Hearing loss. Exposure to high sound levels can cause permanent hearing loss. The acoustic pressure level that leads to hearing loss is different from person to person and depends on the duration of exposure. To prevent potentially dangerous exposure to high levels of acoustic pressure, anyone who is exposed to these levels should use adequate protection devices. When a transducer capable of producing high sound levels is being used, it is therefore necessary to wear ear plugs or protective earphones. See the manual technical specifications to know the maximum sound pressure level.

OPERATING PRECAUTIONS

- Install the product in accordance with manufacturer's instructions, in order to do not block any ventilation openings.
- Place this product far from any heat sources.
- Do not overload this product for a long time.
- Never force the control elements (keys, knobs, etc.).
- Do not use solvents, alcohol, benzene or other volatile substances for cleaning the external parts of this product.

WIRING

This product requires Class 2 output wiring.

IMPORTANT

To prevent the occurrence of noise on line signal cables, use screened cables only and avoid putting them close to:

- **Equipment that produces high-intensity electromagnetic fields**
- **Power cables**
- **Loudspeaker lines**



WARNING! CAUTION! To prevent the risk of fire or electric shock, never expose this product to rain or humidity.



WARNING! To prevent electric shock hazard, do not connect to mains power supply while grille is removed.



WARNING! to reduce the risk of electric shock, do not disassemble this product unless you are qualified. Refer servicing to qualified service personnel.

CORRECT DISPOSAL OF THIS PRODUCT



— This product should be handed over to an authorized collection site for recycling waste electrical and electronic equipment (EEE). Improper handling of this type of waste could have a possible negative impact on the environment and human health due to potentially hazardous substances that are generally associated with EEE. At the same time, your cooperation in the correct disposal of this product will contribute to the effective usage of natural resources. For more information about where you can drop off your waste equipment for recycling, please contact your local city office, waste authority or your household waste disposal service.

CARE AND MAINTENANCE

To ensure a long-life service, this product should be used following these advices:

- If the product is intended to be set up outdoors, be sure it is under cover and protected to rain and moisture.
- If the product needs to be used in a cold environment, slowly warm up the voice coils by sending a low-level signal for about 15 minutes before sending high-power signals.
- Always use a dry cloth to clean the exterior surfaces of the product, and always do it when the power is turned off.



CAUTION: to avoid damaging the exterior finishes do not use cleaning solvents or abrasives.



WARNING! CAUTION! For powered speakers, do cleaning only when the power is turned off.

FCC NOTES

This equipment has been tested and found to comply with the limits for a Class A digital device, pursuant to Part 15 of the FCC Rules. These limits are designed to provide reasonable protection against harmful interference when the equipment is operated in a commercial environment. This equipment generates, uses, and can radiate radio frequency energy, and if it is not installed and used in accordance with the instruction manual, it may cause harmful interference to radio communications. Operation of this equipment

in a residential area is likely to cause harmful interference, in which case the user will be required to correct the interference at his own expense.

Modifications: Any modifications made to this device that are not approved by RCF may void the authority granted to the user by the FCC to operate this equipment.

RCF S.p.A. reserves the right to make changes without prior notice to rectify any errors and / or omissions. Always refer to the latest version of the manual on www.rcf.it.

RCF S.p.A. thanks you for purchasing this product, which has been designed to guarantee reliability and high performance.

DESCRIPTION

IPS series includes two models of two-channel power amplifiers designed for professional use in touring racks and installed sound systems.

The two models only differ in their rated power:

- IPS 5.0K delivers up to 2 x 2600 W into 4 Ω (bridged: 5200 W into 8 Ω);
- IPS 2.5K delivers up to 2 x 1250 W into 4 Ω (bridged: 2500 W into 8 Ω).
- IPS 1.5K delivers up to 2 x 750 W into 4 Ω (bridged: 1500 W into 8 Ω).

MAIN FEATURES

- Fast response and low distortion.
- Easy to configure in STEREO / PARALLEL (mono) / BRIDGE modes.
- Extensive protective circuits ensuring high reliability and operating safety.
- Variable speed cooling system.
- Front panel SIGNAL / CLIP / FAULT LED indicators.
- XLR input connectors.
- SPEAKON and BINDING POST output connectors
- Limiter on each channel.

UNPACKING, INSTALLATION AND COOLING

Check the carton box and its contents to see if there is any sign of damage (should the amplifier be damaged, immediately inform your local distributor / dealer and the forwarder).

It is always advisable to keep the packing materials, even if the amplifier has arrived in good condition.

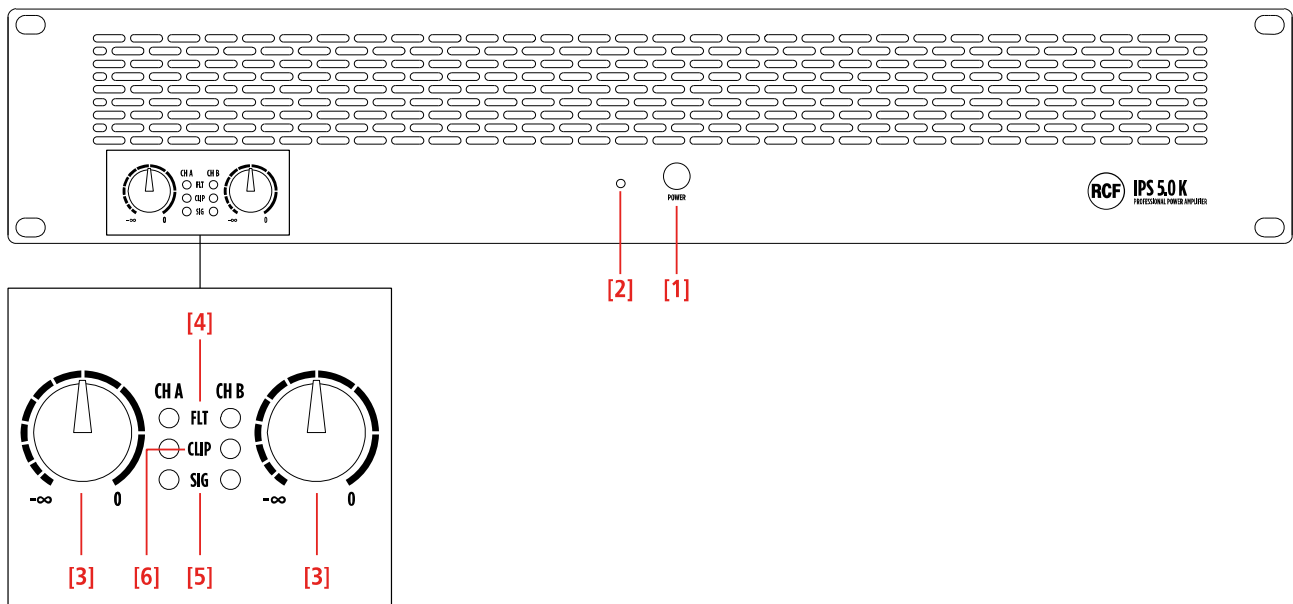
Input and output cables are not included.

Each amplifier needs 2 units of a standard 19" rack cabinet. Four holes for rack mounting are on the front panel ears. Rear mounting ears give additional support.

The amplifier shall not be installed in a place with:

- too high temperature, dust or excessive humidity;
- fog machine outputs oriented towards the amplifier;
- exhaust air ventilators;
- permanent vibrations;
- high-intensity electromagnetic fields (due to transformers, transmitters, etc.).

FRONT PANEL



[1] POWER switch. Push to turn on/off the amplifier. Before switching the amplifier on, check all cables and turn fully counterclockwise both channel level controls **[3]**.

[2] POWER LED. When lit, the amplifier is switched on.

[3] Controls (one per channel) to adjust the output level of the respective amplifier channel. Turn clockwise to increase the output level (0 dB = max. level), turn counterclockwise to decrease.



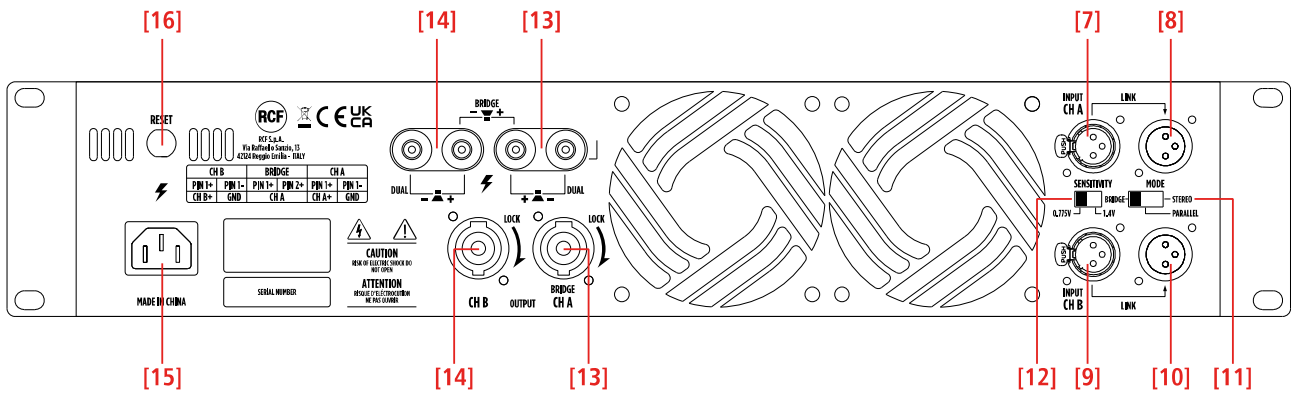
If the amplifier is set to **BRIDGE** mode, use the channel A control only.

[4] FAULT LED (one per channel). When lit, it indicates the internal protection intervention (due to overload, short-circuit, thermal drift, fault) and the respective channel is muted. As soon as the problem is solved, this LED will be turned off. When turning the amplifier on, this LED stays lit for three seconds.

[5] CLIP LED (one per channel). It blinks when the signal level reaches the clipping point, causing the limiter intervention of the respective channel. If it stays lit continuously, the input signal level is excessive.

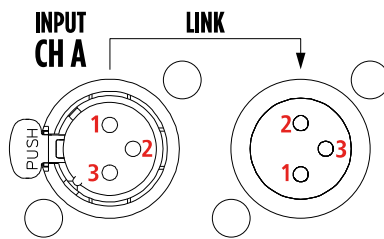
[6] SIGNAL LED (one per channel). When lit, it indicates the signal presence (above -40 dBu) at the respective input.

REAR PANEL



XLR pins:

- 1** GROUND
- 2** AUDIO (+)
- 3** AUDIO (-)



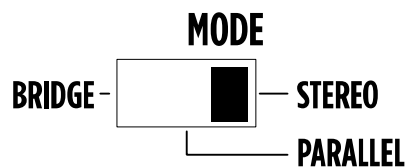
[7] CH A INPUT. Channel A balanced audio input (female XLR connector).

[8] CH A LINK. Channel A balanced parallel audio output (male XLR connector). This output is linked in parallel with the channel A input and is useful to link another amplifier.

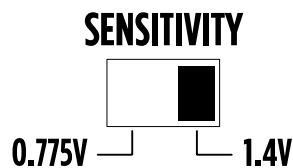
[9] CH B INPUT (STEREO MODE ONLY). Channel B balanced audio input (female XLR connector).

[10] CH B LINK. Channel B balanced parallel audio output (male XLR connector). This output is linked in parallel with the channel B input and is useful to link another amplifier.

[11] MODE switch. Before turning the amplifier on, set the amplifier mode selector to the right position among **BRIDGE**, **PARALLEL** (mono) and **STEREO**. See the 'Operation modes' manual section.



[12] SENSITIVITY switch. Set the sensitivity switch to either 0.775 V or 1.4 V, which is input signal voltage required to get the maximum power output from the amplifier.



[13] CH A OUTPUT. Channel A output to loudspeakers (SPEAKON and BINDING POST connectors). If the amplifier is set to BRIDGE mode, only connect this output. See both 'Operation modes' and 'SPEAKON connector wiring' manual sections.

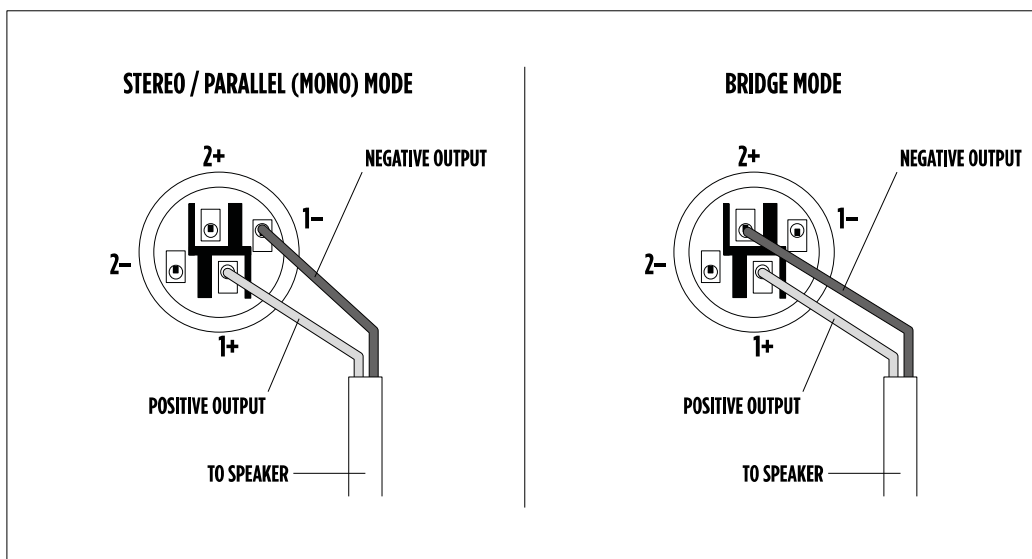
[14] **CH B OUTPUT.** Channel B output to loudspeakers (SPEAKON and BINDING POST connectors). Do not use this output if the amplifier is set to BRIDGE mode. See both 'Operation modes' and 'SPEAKON connector wiring' manual sections.

[15] **Power cord input.** Connect the power cord only to a mains socket outlet with a protective earthing connection.

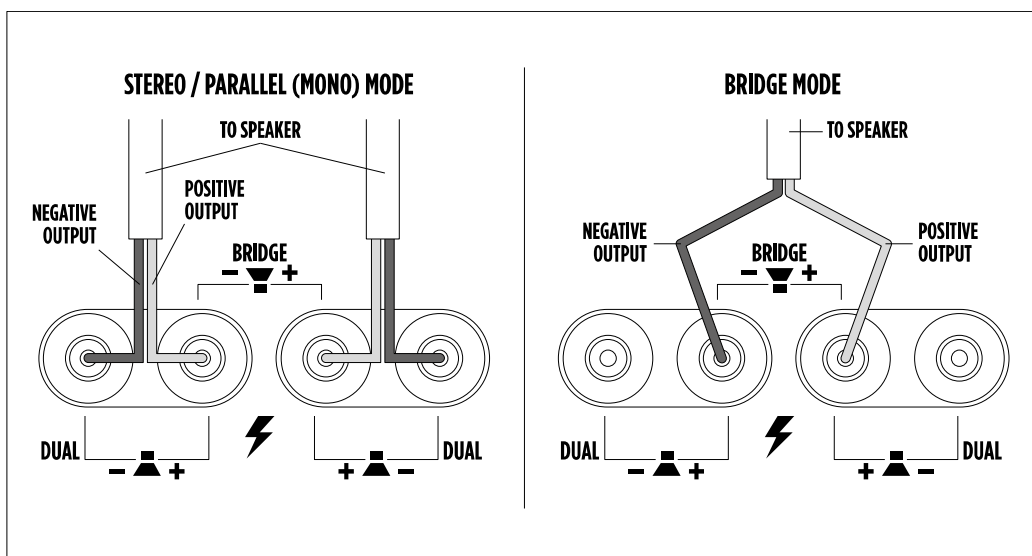
[16] **RESET** button. Push this button to reset the amplifier when is muted due to the thermal protection.

WIRING

SPEAKON CONNECTORS

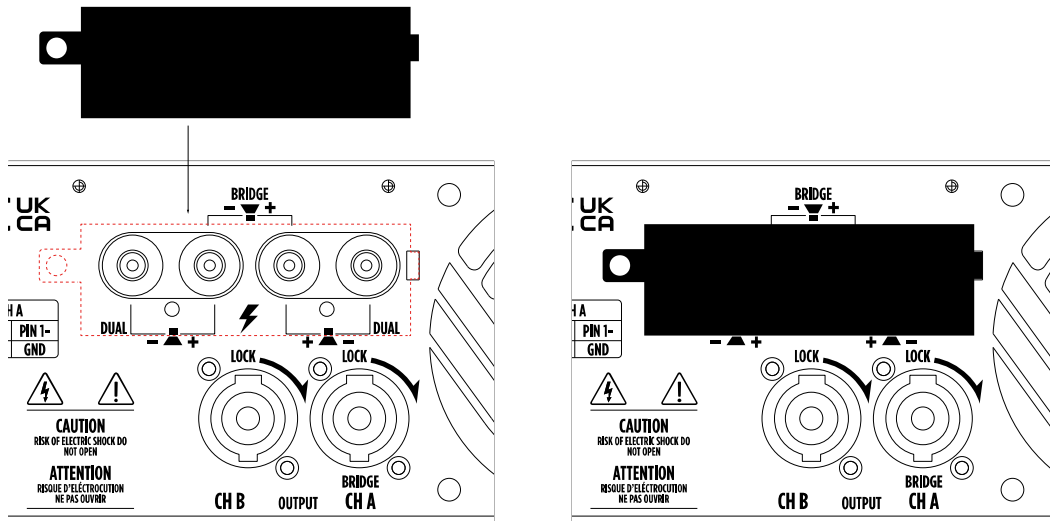


BINDING POST CONNECTORS





When the speakers' connection is made with BINDING POST connectors, always use the plastic protection cap (included).



OPERATION MODES

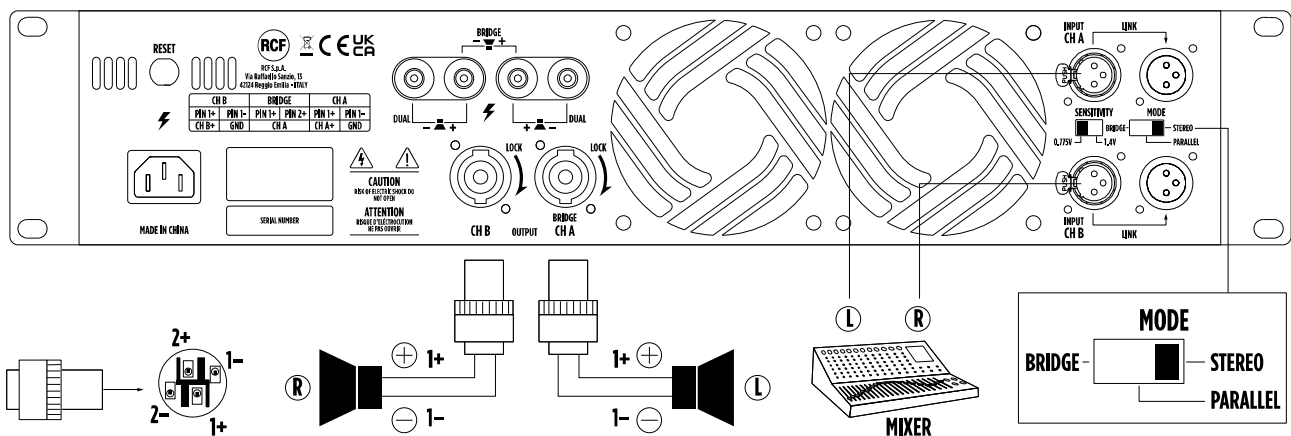
STEREO MODE

Make sure the amplifier is switched off before setting the **MODE** switch [11] to **STEREO**. In stereo mode, both channels operate independently and each front panel level control affects its respective output.

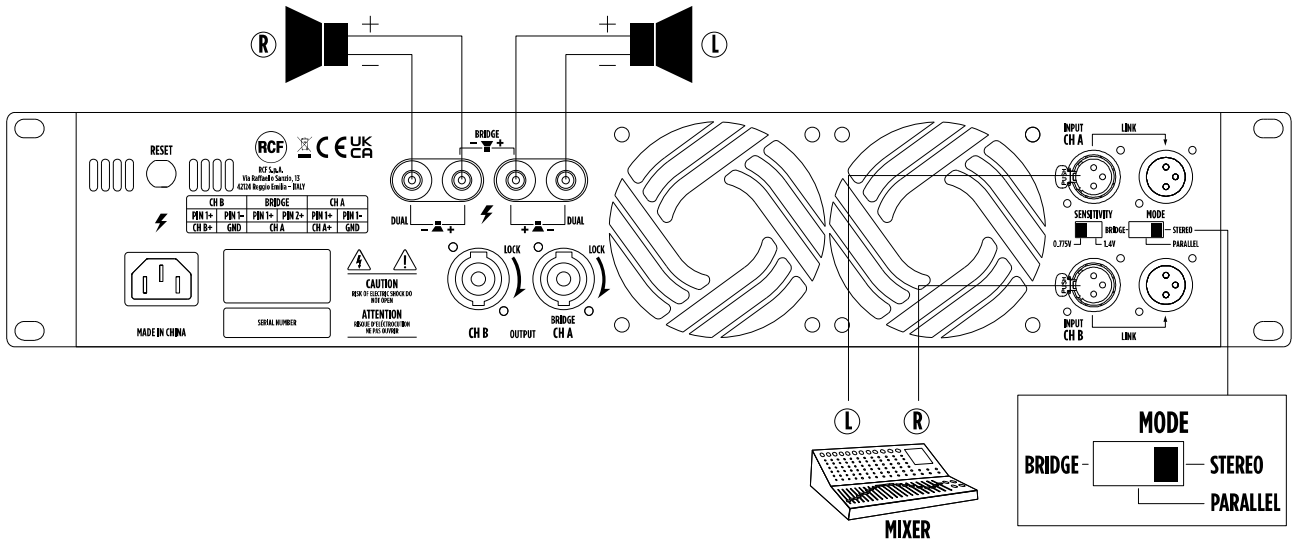
Minimum load impedance is 4 Ω per output.

Loudspeakers shall be connected to the outputs A (left channel) and B (right channel).

SPEAKON CONNECTION



BINDING POST CONNECTION



i **WARNING:** TURN OFF THE AMPLIFIER BEFORE CHANGING MODE!

PARALLEL (MONO) MODE

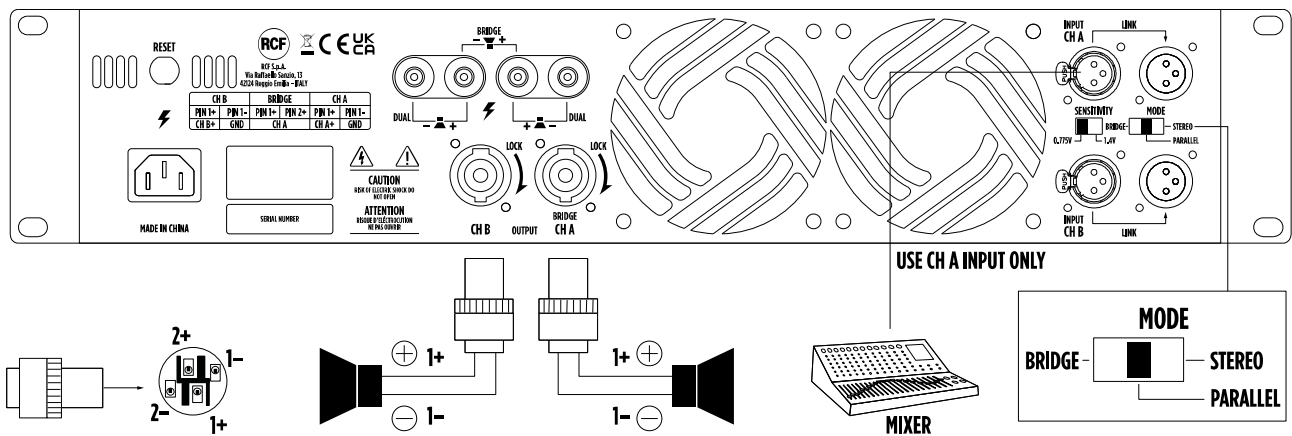
Make sure the amplifier is switched off before setting the **MODE** switch [11] to **PARALLEL**. In mono mode, both channels are linked to input A (therefore receiving the same signal). Each front panel level control affects its respective output, allowing you to set (if necessary) different levels.

Minimum load impedance is 4 Ω per output.

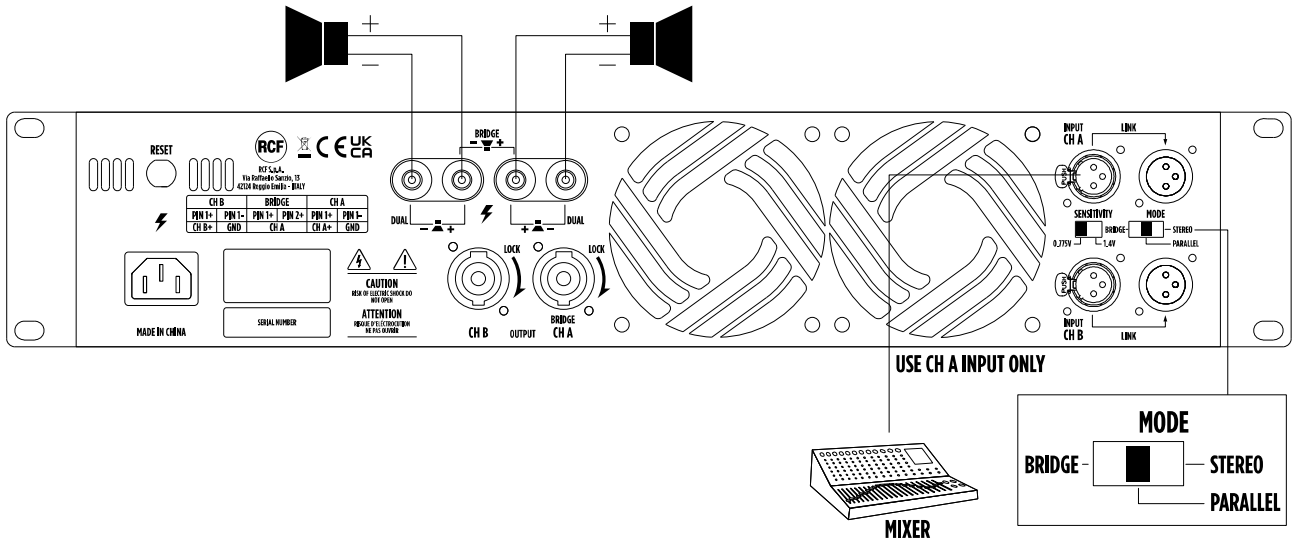
Loudspeakers shall be connected to the outputs A and B.

i Note that only the amplifier inputs are linked in parallel. This is NOT an output parallel mode. **Never connect both outputs in parallel!**

SPEAKON CONNECTION



BINDING POST CONNECTION



i **WARNING:** TURN OFF THE AMPLIFIER BEFORE CHANGING MODE!

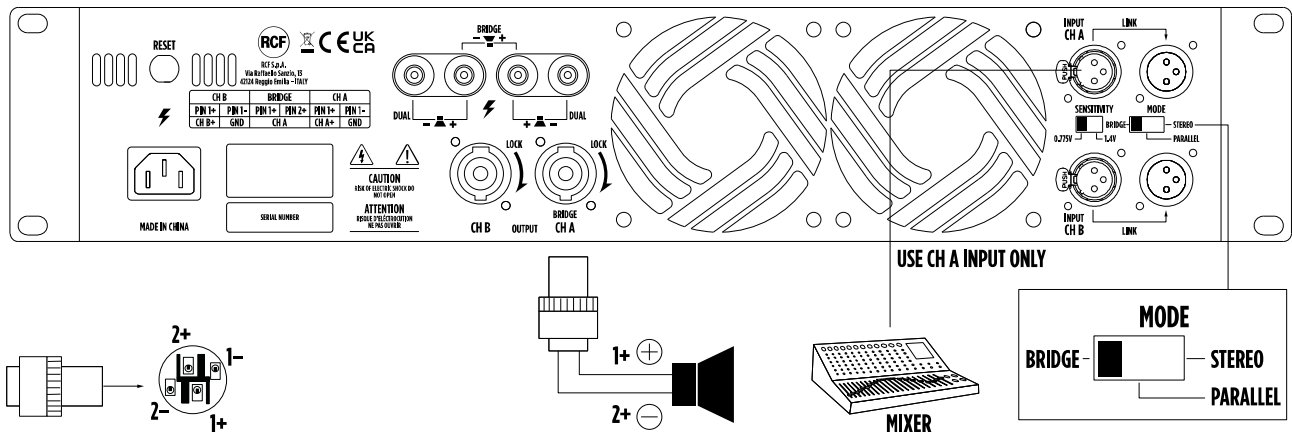
BRIDGE MODE

Make sure the amplifier is switched off before setting the **MODE** switch [11] to **BRIDGE**. In 'bridge' (mono) mode, both amplifier channels work with the same input signal, but with inverse phases. The result is a doubling of the output voltage in order to get a double power (on a double impedance load).

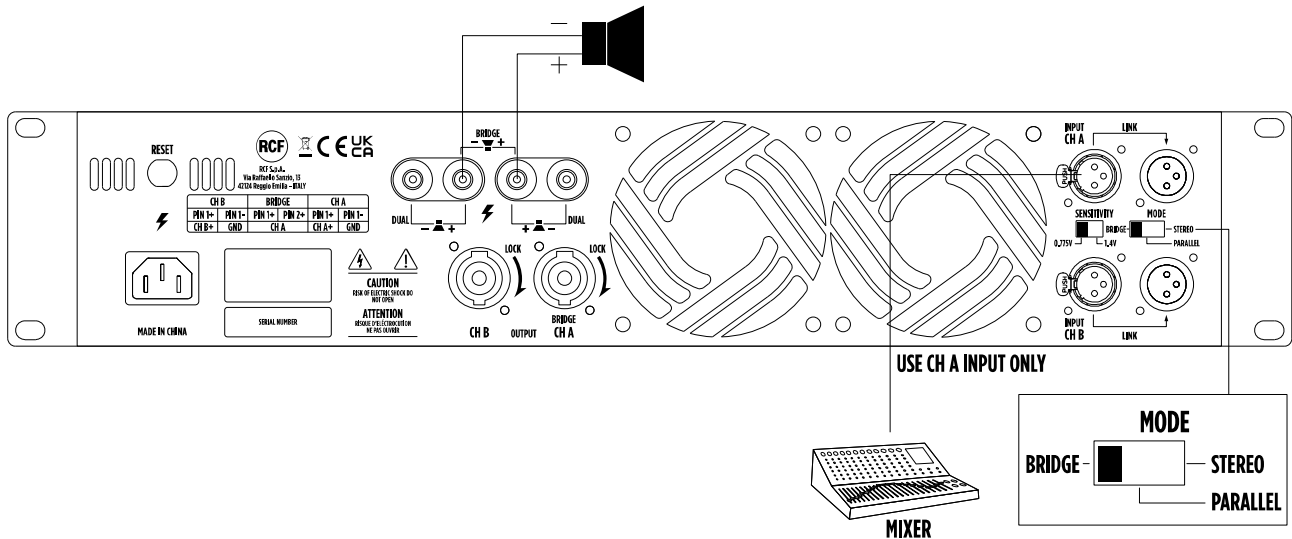
Connect the channel A input and output only. The output level is adjusted only by the channel A front panel control. Pay attention to the output SPEAKON wiring: pin 1+ positive, pin 2+ negative.

Minimum load impedance is 8 Ω.

SPEAKON CONNECTION



BINDING POST CONNECTION



i **WARNING:** TURN OFF THE AMPLIFIER BEFORE CHANGING MODE!

COOLING REQUIREMENTS






IPS amplifiers have a forced air cooling system to maintain a low operating temperature.

Make sure there is enough space around the front of all amplifiers (to allow air to enter) and around to allow the heated air to exit.

If amplifiers are rack-mounted, do not use doors or covers on the front and the rear of the rack cabinet(s).

AVVERTENZE PER LA SICUREZZA

I simboli utilizzati in questo documento notificano importanti istruzioni operative e avvertimenti che devono essere seguiti attentamente.

	CAUTELA	Importante istruzione operativa: notifica un pericolo che potrebbe danneggiare il prodotto, compresa la perdita di dati.
	ATTENZIONE	Avvertimento importante riguardante l'uso di voltaggi pericolosi e il potenziale rischio di shock elettrico, lesioni personali o morte.
	NOTE IMPORTANTI	Informazioni utili e rilevanti sull'argomento.
	SUPPORTI, TROLLEY E CARRRELLI	Informazioni riguardanti l'utilizzo di supporti, trolley e carrelli. Suggerisce di muovere con estrema cautela e di non inclinare il carico.
	SMALTIMENTO	Questo simbolo indica che il prodotto non deve essere smaltito con i rifiuti ordinari, così come indicato nella direttiva WEEE (2012/19/ EU) e nelle normative nazionali in vigore.



IMPORTANTE

Questo manuale contiene informazioni importanti sull'uso corretto e sicuro del dispositivo. Prima di collegare e utilizzare questo prodotto, leggere attentamente questo manuale di istruzioni e tenerlo a portata di mano per riferimenti futuri. Il manuale deve essere considerato parte integrante di questo prodotto e deve accompagnarlo in caso di cambio proprietà come riferimento per la corretta installazione e utilizzo nonché per le precauzioni di sicurezza. RCF S.p.A. non si assume alcuna responsabilità per l'installazione e / o l'uso errati di questo prodotto.

PRECAUZIONI DI SICUREZZA

Tutte le precauzioni, in particolare quelle di sicurezza, devono essere lette con particolare attenzione, in quanto forniscono informazioni importanti.

1. Questo prodotto è destinato esclusivamente a persone istruite, come definito nella norma IEC 62368-1 3a ed. Interfacce a livello ES3 presenti.
2. Questa apparecchiatura non è adatta per l'uso in luoghi in cui è possibile la presenza di bambini.
3. Alimentazione principale da rete elettrica
 - a. La tensione di rete è sufficientemente elevata da comportare un rischio di folgorazione; installare e collegare questo prodotto prima di collegarlo.
 - b. Prima di accendere, assicurarsi che tutti i collegamenti siano stati eseguiti correttamente e che la tensione della rete corrisponda alla tensione indicata sulla targhetta dei dati sull'unità, in caso contrario, contattare il rivenditore RCF.
 - c. Morsetto di messa a terra di protezione. L'apparecchio deve essere collegato ad una presa di corrente con messa a terra di protezione tramite cavo di alimentazione o cavo di alimentazione a 3 poli.
 - d. Proteggere il cavo di alimentazione da danni; assicurarsi che sia posizionato in modo tale da non poter essere calpestato o schiacciato da oggetti.
 - e. Per evitare il rischio di scosse elettriche, non aprire mai questo prodotto: non sono previste parti interne alle quali l'utente debba accedere.
 - f. Nel caso di un prodotto fornito dal produttore senza cavo di alimentazione, tutti i cavi di alimentazione e le spine devono essere conformi ai requisiti della IEC 62368-1, certificati ed idonei all'uso nei paesi specifici in cui il prodotto deve essere installato.

- g. Utilizzare la spina di alimentazione per scollegare l'apparecchio dalla rete.
4. Assicurarsi che nessun oggetto o liquido penetri in questo prodotto poiché ciò potrebbe causare un corto circuito. Questo apparecchio non deve essere esposto a gocciolamenti o spruzzi. Nessun oggetto riempito di liquido, come vasi, deve essere posizionato su questo apparecchio. Non utilizzare l'apparecchio vicino all'acqua. Nessuna fiamma libera (come candele accese) deve essere posizionata su questo apparecchio.
 5. Non tentare mai di eseguire operazioni, modifiche o riparazioni non espressamente descritte nel presente manuale. Contattare il centro di assistenza autorizzato o personale qualificato qualora si verifichi una delle seguenti condizioni:
 - Il prodotto non funziona (o funziona in modo anomalo).
 - Il cavo di alimentazione è stato danneggiato.
 - Oggetti o liquidi sono entrati nell'unità.
 - Il prodotto ha subito un forte urto.
 6. Questo prodotto non contiene fusibili sostituibili dall'utente. La sostituzione dei fusibili è un'operazione di servizio e deve essere eseguita da personale qualificato.
 7. Il fusibile sull'ingresso della rete può essere sul neutro; la rete deve essere scollegata per togliere energia alla fase.
 8. Se questo prodotto non viene utilizzato per un lungo periodo, scollegare il cavo di alimentazione.
 9. Se questo prodotto inizia a emettere strani odori o fumo, spegnerlo immediatamente e scollegare il cavo di alimentazione.
 10. Non collegare questo prodotto ad apparecchiature o accessori non previsti. Per l'installazione sospesa, utilizzare solo i punti di ancoraggio dedicati e non tentare di appendere questo prodotto utilizzando elementi non idonei o non specifici per questo scopo. Verificare inoltre l'idoneità della superficie di supporto a cui è ancorato il prodotto (parete, soffitto, struttura, ecc.) a dei componenti utilizzati per il fissaggio (tasselli, viti, staffe non fornite da RCF ecc.) che devono garantire sicurezza del sistema / installazione nel tempo, anche considerando, ad esempio, le vibrazioni meccaniche normalmente generate dai trasduttori. Per evitare il rischio di caduta dell'apparecchiatura, non impilare più unità di questo prodotto a meno che questa possibilità non sia specificata nel manuale dell'utente.
 11. **RCF S.p.A. raccomanda vivamente che questo prodotto sia installato solo da installatori professionisti qualificati (o aziende specializzate) che possono garantire la corretta installazione e certificarlo secondo le normative vigenti. L'intero sistema audio deve essere conforme agli standard e alle normative vigenti in materia di sistemi elettrici.**
 12. Supporti, trolley e carrelli.



L'apparecchiatura deve essere utilizzata, ove necessario, solo su supporti, trolley e carrelli consigliati dal produttore. L'apparecchiatura / supporto / carrello deve essere spostata con estrema cautela. Arresti improvvisi, eccessiva spinta e pavimenti irregolari possono causarne il ribaltamento. Non inclinare mai.

13. Vi sono numerosi fattori meccanici ed elettrici da considerare quando si installa un sistema audio professionale (oltre a quelli strettamente acustici, come la pressione del suono, gli angoli di copertura, la risposta in frequenza, ecc.).
14. Perdita dell'udito. L'esposizione a livelli sonori elevati può causare la perdita permanente dell'udito. Il livello di pressione acustica che porta alla perdita dell'udito è diverso da persona a persona e dipende dalla durata dell'esposizione. Per prevenire un'esposizione potenzialmente pericolosa a livelli elevati di pressione acustica, chiunque sia esposto a questi livelli dovrebbe usare adeguati dispositivi di protezione. Quando viene utilizzato un trasduttore in grado di produrre alti livelli sonori, è quindi necessario indossare tappi per le orecchie o cuffie protettive. Vedere le specifiche tecniche del manuale per conoscere il livello massimo di pressione sonora.

PRECAUZIONI OPERATIVE

- Installare il prodotto secondo le istruzioni del produttore, in modo da non ostruire le aperture di ventilazione.
- Posizionare questo prodotto lontano da qualsiasi fonte di calore.
- Non sovraccaricare questo prodotto per molto tempo.
- Non forzare mai gli elementi di controllo (tasti, manopole, ecc.).
- Non utilizzare solventi, alcool, benzene o altre sostanze volatili per pulire le parti esterne di questo prodotto.

CABLAGGIO

Questo prodotto richiede cablaggio delle uscite Classe 2.



IMPORTANTE

Per evitare il verificarsi di disturbi sui cavi di segnale in linea, utilizzare solo cavi schermati ed evitare di avvicinarli a:

- **Apparecchiature che producono campi elettromagnetici ad alta intensità**
- **Cavi di alimentazione**
- **Linee di altoparlanti**



ATTENZIONE! CAUTELA! Per evitare il rischio di incendi o scosse elettriche, non esporre mai questo prodotto a pioggia o umidità.



ATTENZIONE! Per evitare il rischio di scosse elettriche, non collegare all'alimentazione di rete mentre la griglia è rimossa.



WARNING! Per ridurre il rischio di scosse elettriche, non smontare questo prodotto se non si è qualificati. Per l'assistenza rivolgersi a personale di assistenza qualificato.

SMALTIMENTO CORRETTO DEL PRODOTTO



Questo prodotto deve essere consegnato a un sito di raccolta autorizzato per il riciclaggio di apparecchiature elettriche ed elettroniche (AEE). Una manipolazione impropria di questo tipo di rifiuti potrebbe avere un possibile impatto negativo sull'ambiente e sulla salute umana a causa di sostanze potenzialmente pericolose che sono generalmente associati alle AEE. Allo stesso tempo, la vostra collaborazione per il corretto smaltimento di questo prodotto contribuirà all'utilizzo efficace delle risorse naturali. Per ulteriori informazioni su dove sia possibile scaricare le attrezzature per il riciclaggio, si prega di contattare l'ufficio comunale locale, l'autorità competente per i rifiuti o il servizio di smaltimento dei rifiuti domestici.

CURA E MANUTENZIONE

Per garantire un servizio di lunga durata, questo prodotto deve essere utilizzato seguendo questi consigli:

- Se il prodotto deve essere installato all'aperto, assicurarsi che sia coperto e protetto da pioggia e umidità.
- Se il prodotto deve essere utilizzato in un ambiente freddo, riscaldare lentamente le bobine vocali inviando un segnale di basso livello per circa 15 minuti prima di inviare segnali ad alta potenza.
- Utilizzare sempre un panno asciutto per pulire le superfici esterne del prodotto, e farlo sempre quando l'alimentazione è spenta.



CAUTELA! Per evitare di danneggiare le finiture esterne non utilizzare solventi per la pulizia o abrasivi.



ATTENZIONE! CAUTELA! Per gli altoparlanti alimentati, eseguire la pulizia solo quando l'alimentazione è spenta.

NOTE FCC

Questa apparecchiatura è stata testata ed è risultata conforme ai limiti per un dispositivo digitale di Classe A, ai sensi della Parte 15 delle norme FCC. Questi limiti sono progettati per fornire una protezione ragionevole contro interferenze dannose quando l'apparecchiatura viene utilizzata in un ambiente commerciale. Questa apparecchiatura genera, utilizza e può irradiare energia in radiofrequenza e, se non viene installata e utilizzata secondo il manuale di istruzioni, può causare interferenze dannose alle comunicazioni radio. È probabile che il funzionamento di questa apparecchiatura in un'area residenziale provochi interferenze dannose, nel qual caso l'utente dovrà correggere l'interferenza a proprie spese.

Modifiche: qualsiasi modifica apportata a questo dispositivo che non sia approvata da RCF può annullare l'autorizzazione concessa all'utente dalla FCC di utilizzare questa apparecchiatura.

RCF S.p.A. si riserva il diritto di apportare modifiche senza preavviso per rettificare eventuali errori e/o omissioni. Fare sempre riferimento all'ultima versione del manuale su www.rcf.it.

RCF S.p.A. Vi ringrazia per l'acquisto di questo prodotto, realizzato in modo da garantirne l'affidabilità e prestazioni elevate.

DESCRIZIONE

La serie IPS include due modelli di amplificatori (finali di potenza a due canali) per uso professionale (es. tour) e sistemi installati.

I quattro modelli differiscono tra loro solo per la potenza nominale:

- IPS 5.0K eroga fino a 2 x 2600 W su 4 Ω (5200 W 'a ponte' su 8 Ω);
- IPS 2.5K eroga fino a 2 x 1250 W su 4 Ω (2500 W 'a ponte' su 8 Ω);
- IPS 1.5K eroga fino a 2 x 750 W su 4 Ω (1500 W 'a ponte' su 8 Ω);

CARATTERISTICHE PRINCIPALI

- Risposta rapida e bassa distorsione.
- Facilmente configurabile nei modi 'stereo' / 'parallel' ('mono') / 'bridge' ('a ponte').
- Protezioni interne che assicurano alta affidabilità e sicurezza.
- Sistema di raffreddamento a velocità variabile.
- Led sul pannello frontale indicanti la presenza ed il picco del segnale (SIGNAL / CLIP) e l'intervento delle protezioni (FAULT).
- Ingressi con connettori XLR.
- Uscite con connettori SPEAKON e MORSETTI BINDING POST.
- 'Limiter' (limitatore) per ciascun canale.

DISIMBALLAGGIO, INSTALLAZIONE E RAFFREDDAMENTO

Verificare se il cartone per l'imballo ed il contenuto hanno subito dei danni durante il trasporto (nel caso che l'amplificatore sia danneggiato, informare immediatamente il rivenditore e lo spedizioniere).

È sempre consigliabile tenere il materiale d'imballo, perfino nel caso che l'amplificatore sia arrivato in buone condizioni.

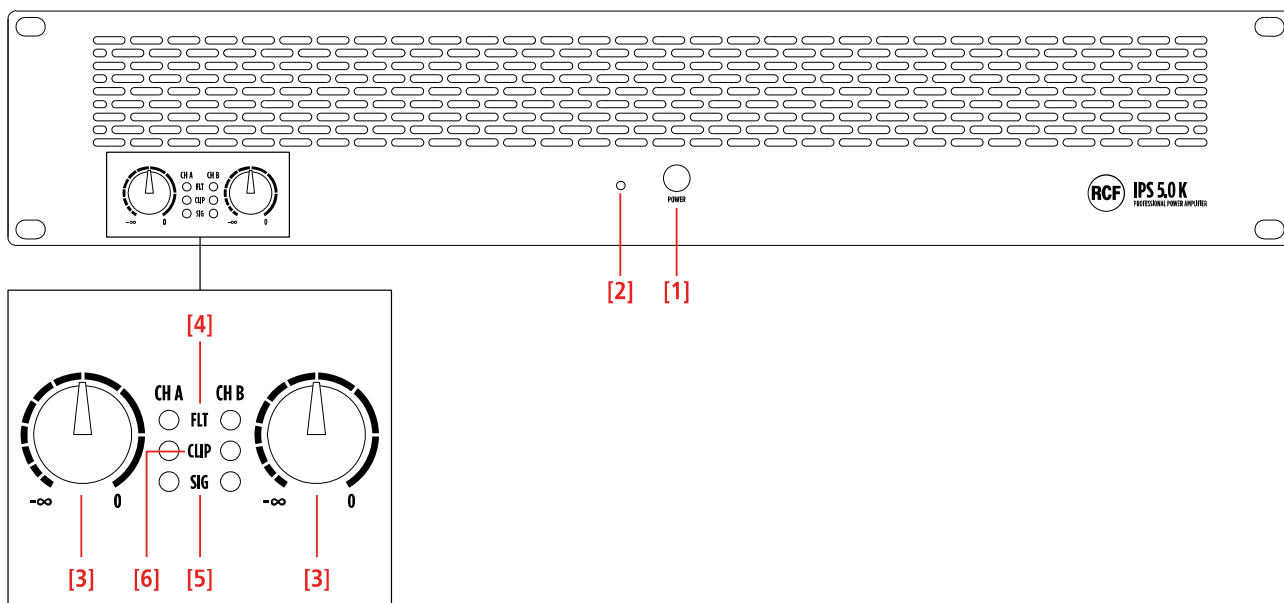
I cavi per gli ingressi audio e le uscite amplificate non sono inclusi.

Ciascun amplificatore occupa 2 unità di un rack standard 19". Sulle alette del pannello frontale, sono presenti 4 fori per il montaggio a rack; le alette posteriori forniscono un ulteriore supporto.

L'amplificatore non deve essere posto in luoghi con:

- temperatura troppo elevata, polvere o umidità eccessiva;
- macchine del fumo con l'uscita orientata verso l'amplificatore;
- uscite d'aria riscaldata;
- vibrazioni permanenti;
- forti campi elettromagnetici (dovuti a trasformatori, trasmettitori, etc.).

PANNELLO FRONTALE



[1] Interruttore principale **POWER**. Premere per accendere o spegnere l'amplificatore. Prima di accendere l'amplificatore, controllare tutte le connessioni e ruotare completamente in senso antiorario il controllo di livello [3] di entrambi i canali.

[2] LED **POWER**. Indica l'accensione dell'amplificatore.

[3] Controlli (uno per canale) per la regolazione del livello d'uscita del rispettivo canale dell'amplificatore. Ruotare in senso orario per aumentare il livello d'uscita (0 dB = livello max.) e antiorario per diminuirlo.



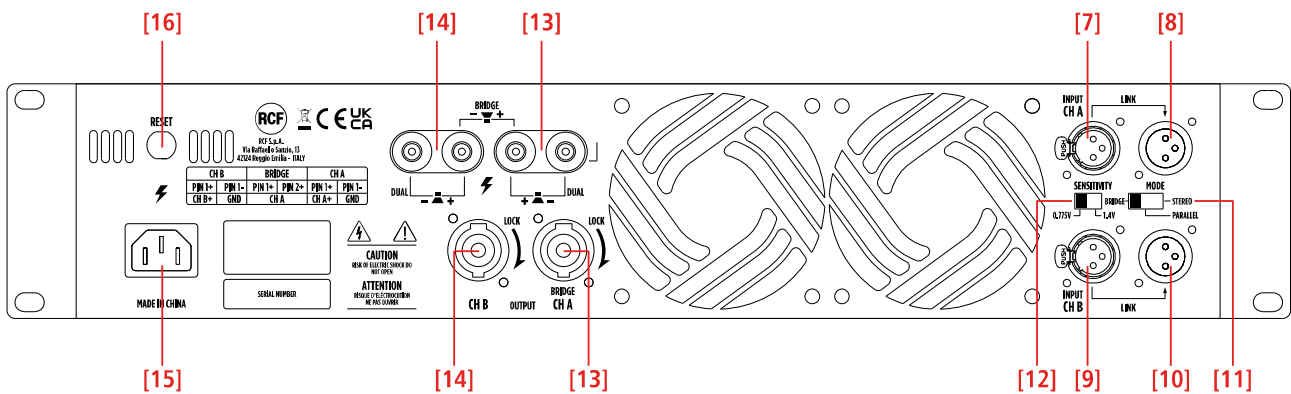
Se l'amplificatore è impostato nel modo **BRIDGE**, usare solo il controllo del canale A.

[4] LED **FAULT** (uno per canale). La sua accensione indica l'intervento della protezione interna (a causa di sovraccarico, corto-circuito, deriva termica, guasto) ed il rispettivo canale è disattivato; non appena il problema è risolto, il LED si spegne. Dopo aver acceso l'amplificatore, questo LED rimane acceso per tre secondi.

[5] LED **CLIP** (uno per canale). Lampeggia quando il livello del segnale raggiunge il livello massimo prima della saturazione, causando l'intervento del limitatore interno del rispettivo canale. Nel caso sia costantemente acceso, il livello del segnale d'ingresso è eccessivo.

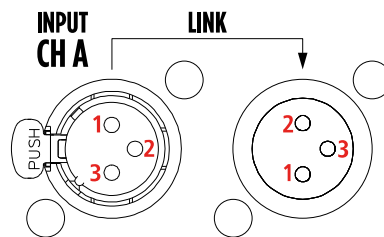
[6] LED **SIGNAL** (uno per canale). Quando acceso, indica la presenza del segnale (sopra -40 dBu) nel rispettivo ingresso.

PANNELLO POSTERIORE



Pin connettori XLR:

- 1** MASSA
- 2** AUDIO (+)
- 3** AUDIO (-)



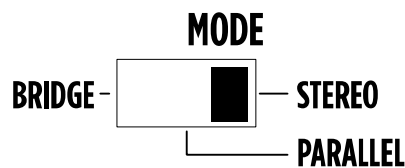
[7] CH A INPUT. Ingresso audio bilanciato del canale A (connettore XLR femmina).

[8] CH A LINK. Uscita audio bilanciata del canale A (connettore XLR maschio) collegata in parallelo al rispettivo ingresso ed utilizzabile per la connessione di un altro amplificatore.

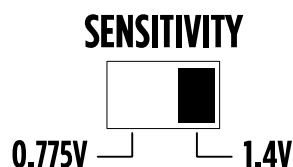
[9] CH B INPUT (SOLO MODO STEREO). Ingresso audio bilanciato del canale B (connettore XLR femmina).

[10] CH B LINK. Uscita audio bilanciata del canale B (connettore XLR maschio) collegata in parallelo al rispettivo ingresso ed utilizzabile per la connessione di un altro amplificatore.

[11] Selettore del modo di funzionamento MODE. Prima di accendere l'amplificatore, scegliere il modo di funzionamento tra **BRIDGE** ("a ponte"), **PARALLEL** ('mono') e **STEREO**. Vedere la sezione del manuale 'Modi di funzionamento'.



[12] Selettore della sensibilità d'ingresso SENSITIVITY. Impostare il selettore su 0.775 V oppure 1.4 V, valori che rappresentano la tensione necessaria del segnale d'ingresso per ottenere la massima potenza d'uscita erogata dall'amplificatore.



[13] CH A OUTPUT. Uscita amplificata del canale A per i diffusori acustici (connettore SPEAKON e morsetti BINDING POST). Se l'amplificatore è impostato nel modo BRIDGE, collegare solo questa uscita. Vedere le sezioni del manuale 'Modi di funzionamento' e 'Cablaggio dei connettori SPEAKON'.

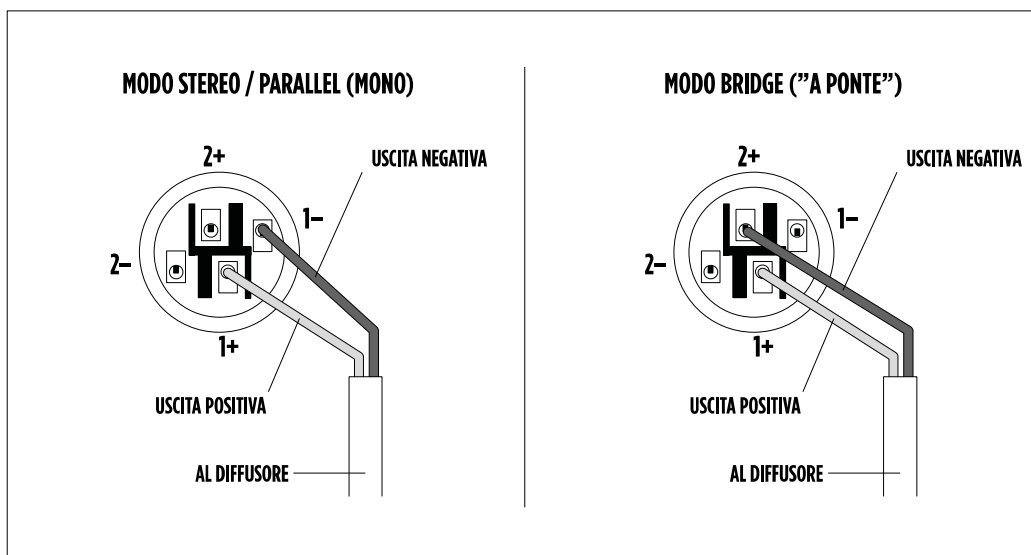
[14] CH B OUTPUT. Uscita amplificata del canale B per i diffusori acustici (connettore SPEAKON e morsetti BINDING POST). Non utilizzare questa uscita se l'amplificatore è impostato nel modo BRIDGE. Vedere le sezioni del manuale 'Modi di funzionamento' e 'Cablaggio dei connettori SPEAKON'.

[15] Ingresso per il cavo d'alimentazione. Collegare il cavo d'alimentazione solo ad una presa di rete avente la messa a terra.

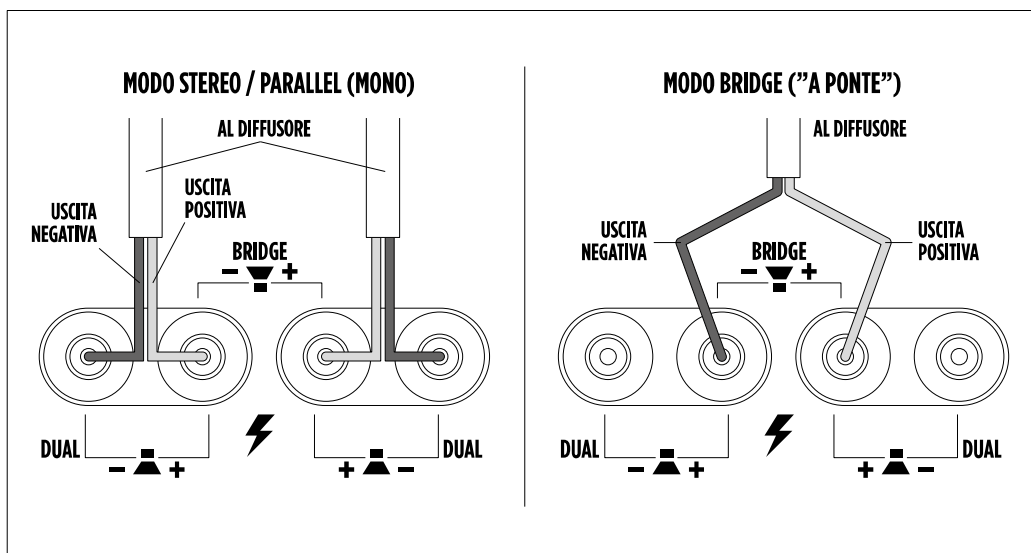
[16] Pulsante di **RESET** che, se premuto, permette di ripristinare il funzionamento dell'amplificatore dopo l'intervento della protezione termica.

CABLAGGIO

CONNETTORI SPEAKON

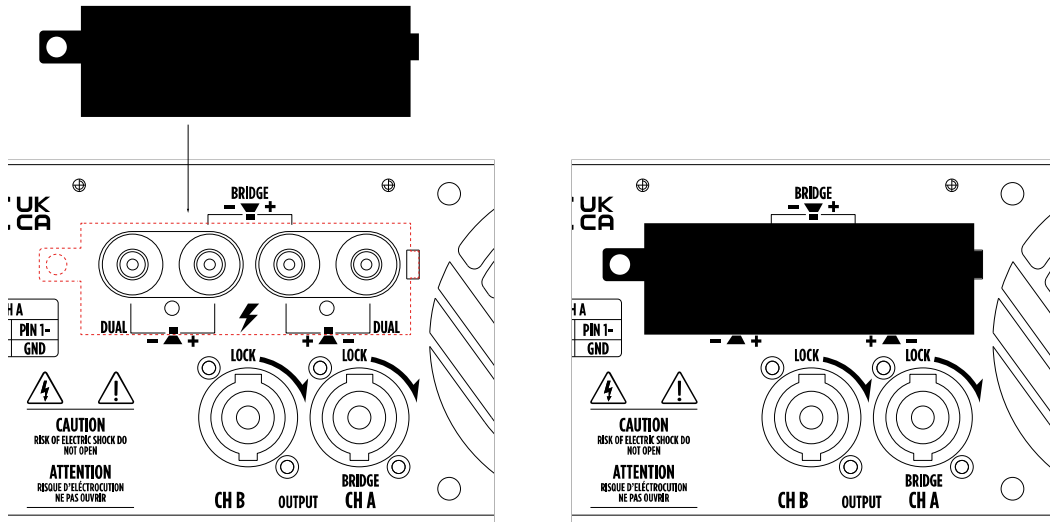


MORSETTI BINDING POST





Quando il collegamento dei diffusori è fatto mediante morsetti BINDING POST utilizzare sempre il cappuccio protettivo in plastica (incluso).



MODALITÀ DI FUNZIONAMENTO

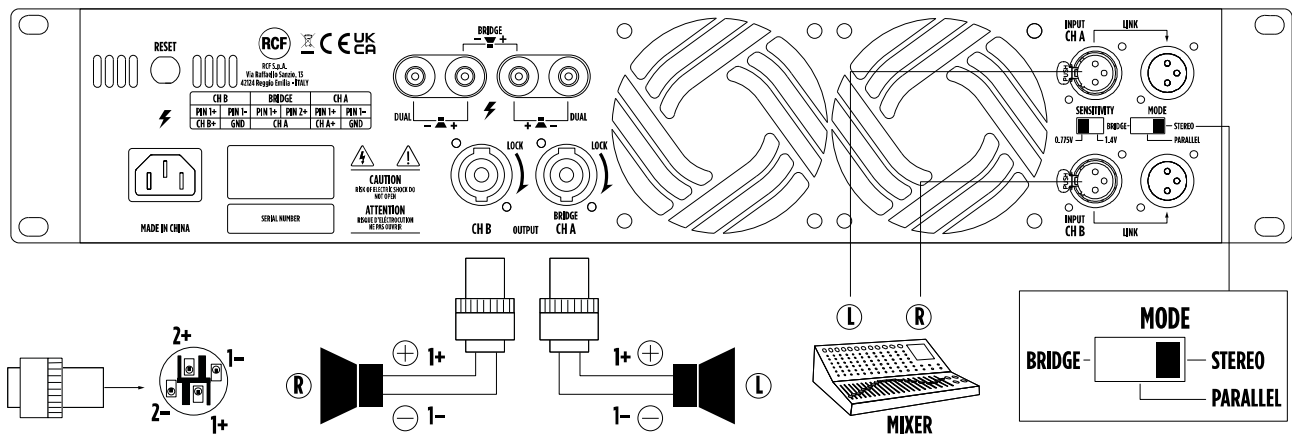
MODO 'STEREO'

Assicurarsi che l'amplificatore sia spento prima di porre il selettore **MODE [11]** su **STEREO**. In stereo, i due canali funzionano in modo indipendente e ciascun controllo di livello (sul pannello frontale) agisce (solo) sulla rispettiva uscita.

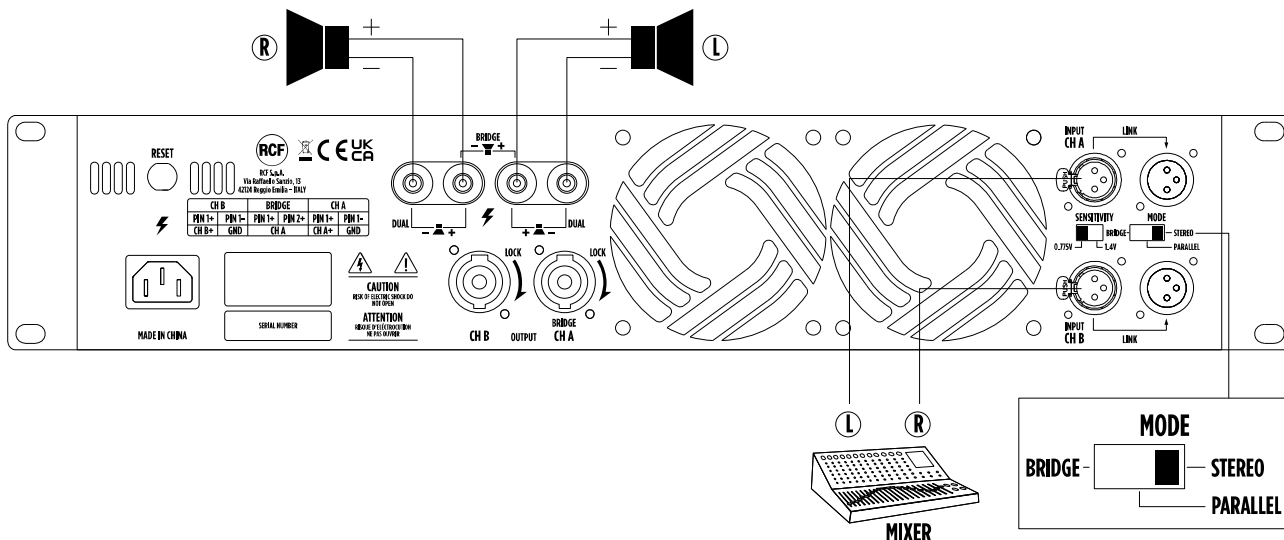
L'impedenza minima ammessa del carico e **4 Ω** per uscita.

I diffusori acustici possono essere collegati all'uscita A (canale sinistro) e B (canale destro).

CONNETTORI SPEAKER



MORSETTI BINDING POST



i **ATTENZIONE:** SPEGNERE L'AMPLIFICATORE PRIMA DI CAMBIARE IL MODO DI FUNZIONAMENTO!

MODO 'PARALLEL' (MONO)

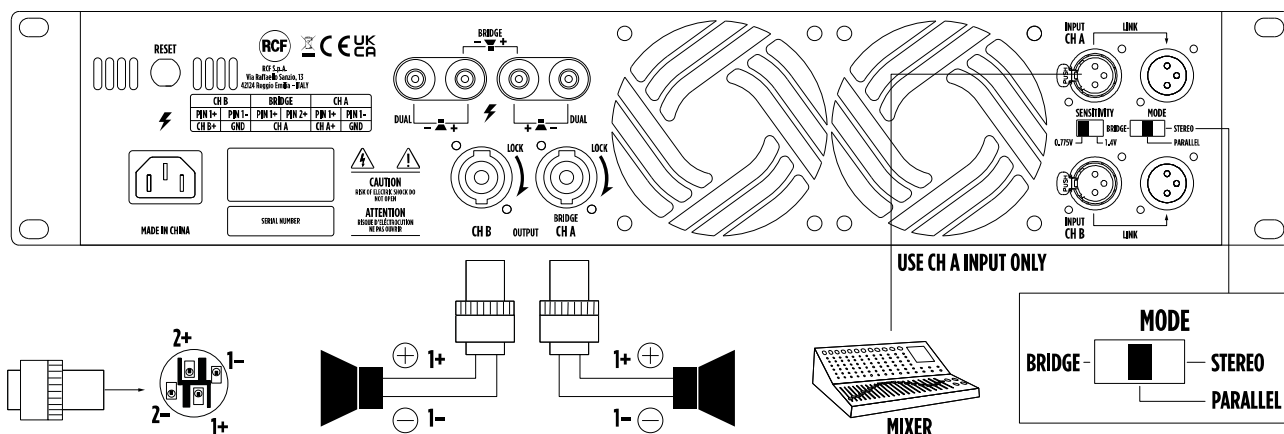
Assicurarsi che l'amplificatore sia spento prima di porre il selettore **MODE [11]** su **PARALLEL**. In mono, entrambi i canali sono collegati all'ingresso A (e pertanto ricevono lo stesso segnale). Ciascun controllo di livello (sul pannello frontale) agisce (solo) sulla rispettiva uscita, permettendo di impostare livelli diversi (se necessario).

L'impedenza minima ammessa del carico e 4 Ω per uscita.

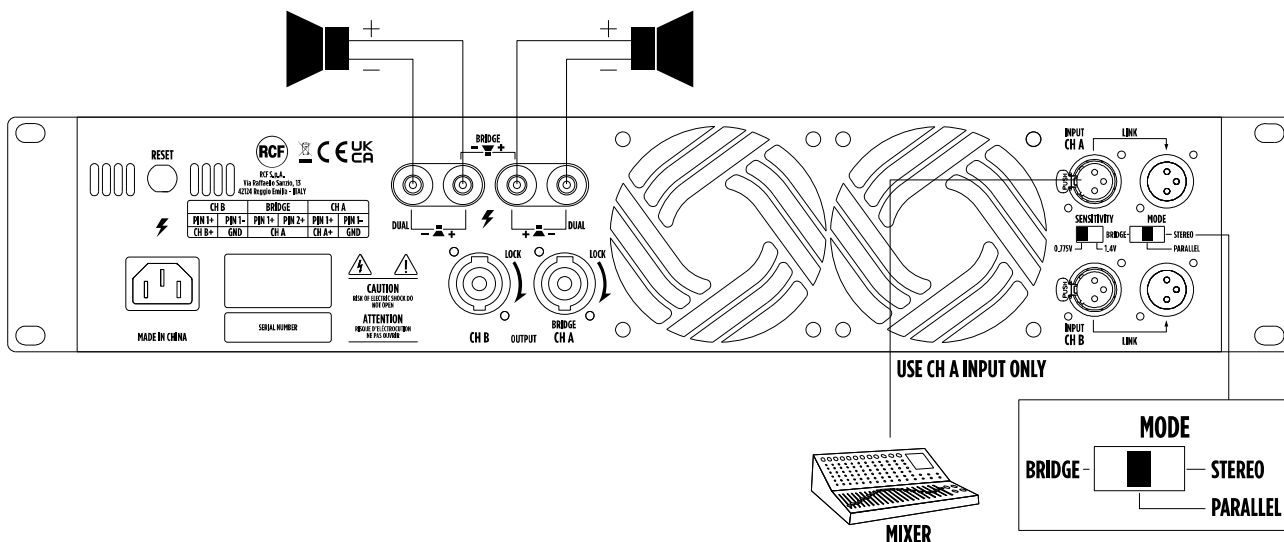
I diffusori acustici possono essere collegati all'uscita A e B.

i Nota: solo gli ingressi sono posti in parallelo; non si tratta di una messa in parallelo delle uscite. **Non collegare mai i terminali d'uscita in parallelo!**

CONNETTORI SPEAKON



MORSETTI BINDING POST



i **ATTENZIONE:** SPEGNERE L'AMPLIFICATORE PRIMA DI CAMBIARE IL MODO DI FUNZIONAMENTO!

MODO 'BRIDGE' ('A PONTE')

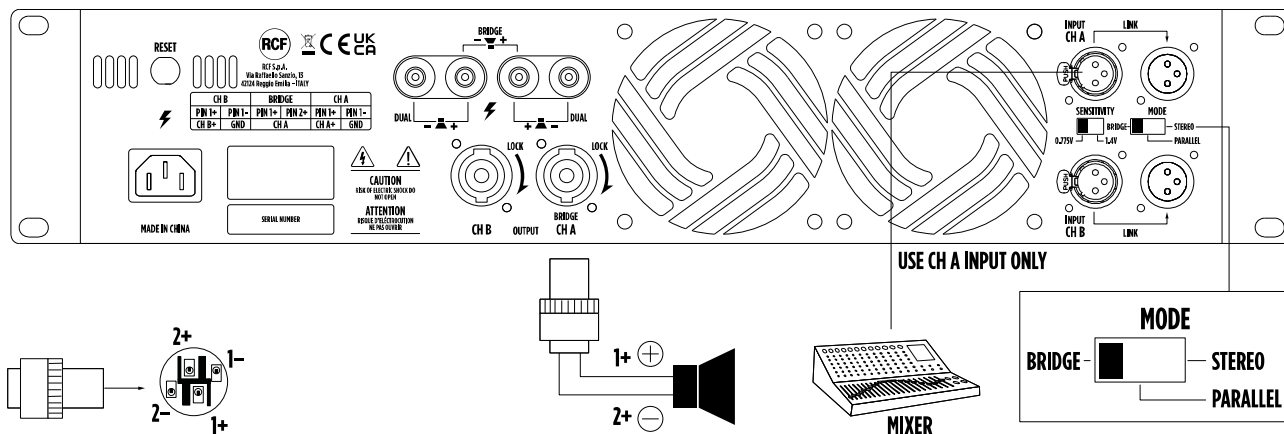
Assicurarsi che l'amplificatore sia spento prima di porre il selettore **MODE [11]** su **BRIDGE**. Nel modo 'a ponte' (mono), entrambi i canali dell'amplificatore funzionano con lo stesso segnale d'ingresso, ma con fase invertita. Questo comporta un raddoppio della tensione d'uscita per ottenere una potenza doppia (su un carico avente impedenza doppia).

Collegare solo l'ingresso e l'uscita del canale A. Il livello d'uscita è regolabile solo dal controllo del canale A posto sul pannello frontale.

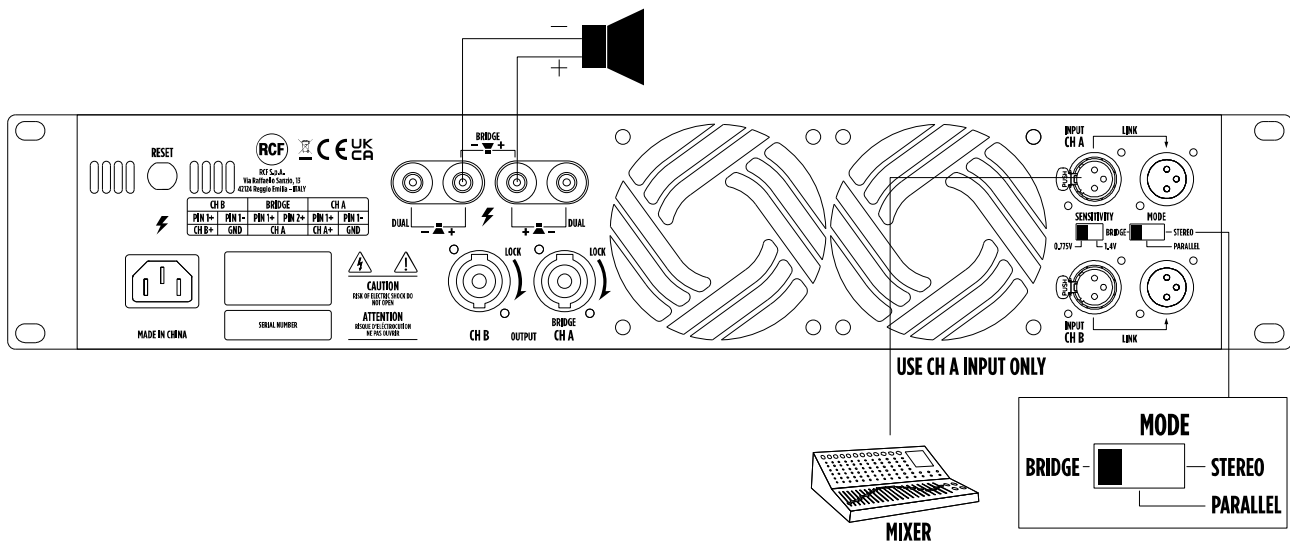
Prestare attenzione al cablaggio del connettore SPEAKON: 1+ positivo, 2+ negativo.

L'impedenza minima ammessa del carico è 8 Ω.

CONNETTORI SPEAKON



MORSETTI BINDING POST



ATTENZIONE: SPEGNERE L'AMPLIFICATORE PRIMA DI CAMBIARE IL MODO DI FUNZIONAMENTO!

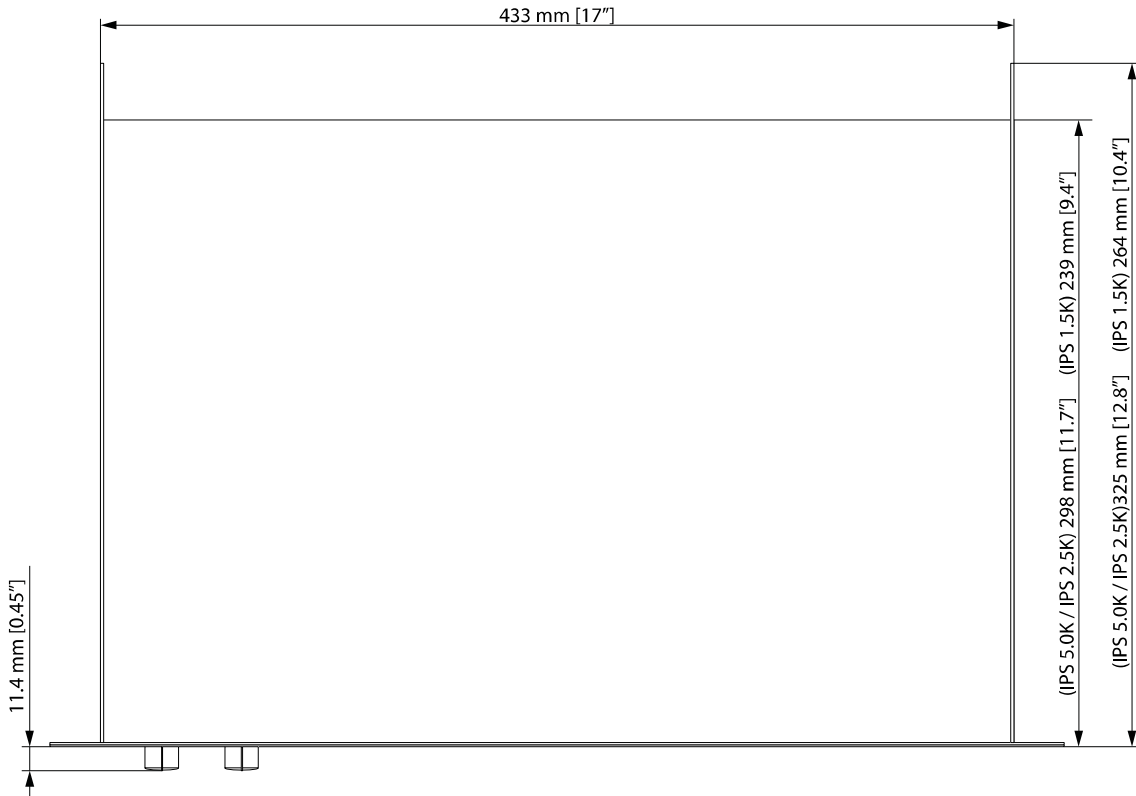
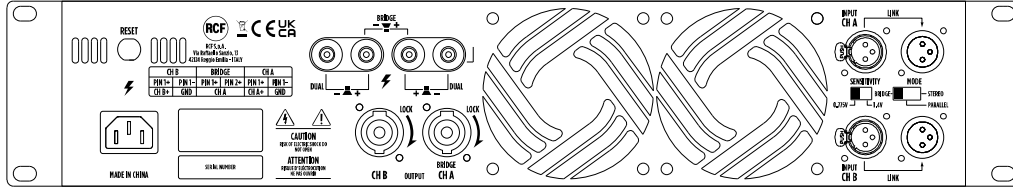
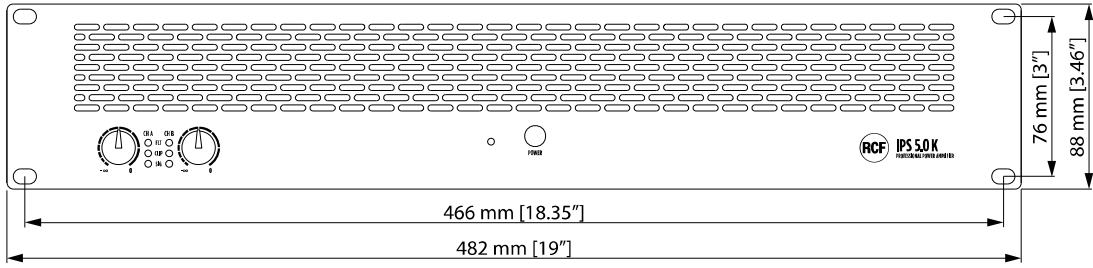
VENTILAZIONE

Gli amplificatori IPS hanno un sistema di raffreddamento con ventilazione forzata (per mantenere una bassa temperatura di funzionamento).

Assicurarsi che vi sia spazio sufficiente davanti al pannello frontale degli amplificatori (per permettere all'aria di entrare) ed intorno per permette all'aria calda di uscire.

Se gli amplificatori sono montati in un armadio rack / flight-case (da 19 pollici), non utilizzare porte (od altre coperture) sia sul lato anteriore sia su quello posteriore.

DIMENSIONS



SPECIFICATIONS

	IPS 5.0K	IPS 2.5K	IPS 1.5K
Amplifier specifications			
Amplifier Class:	H	H	H
Number of channels:	2	2	2
Power output per channel (@ 4 ohm):	2600 W	1250 W	750 W
Power output per channel (@ 8 ohm):	1500 W	800 W	500 W
Power output (bridged @ 8 ohm):	5200 W	2500 W	1500 W
Frequency Response (-3dB):	20 Hz ÷ 22000 Hz	20 Hz ÷ 22000 Hz	20 Hz ÷ 22000 Hz
Signal/noise rate (A weighted)	>100 dB	>100 dB	>100 dB
Crosstalk:	<70 dB	<80 dB	<73 dB
Distortion (THD+N) @ 1 kHz nominal power:	<0.04 %	<0.01 %	<0.02 %
Input section			
Total number of inputs:	2	2	2
Balanced:	2	2	2
Mono:	2	2	2
Line inputs:	2	2	2
Line connectors:	XLR	XLR	XLR
Output section			
Signal output number:	2	2	2
Signal output connectors:	XLR	XLR	XLR
Power output connectors:	Binding Post, Speakon	Binding Post, Speakon	Binding Post, Speakon
Controls			
Configuration:	DIP switch	DIP switch	DIP switch
Protections			
Cooling:	Forced	Forced	Forced
Short circuit:	Yes	Yes	Yes
Thermal:	Yes	Yes	Yes
DC:	Yes	Yes	Yes
Fuses:	Yes	Yes	Yes
VHF (Very High Frequencies):	Yes	Yes	Yes
Power requirement			
Operating voltage:	120V ~ 50/60Hz 220-240V ~ 50/60Hz	120V ~ 50/60Hz 220-240V ~ 50/60Hz	120V ~ 50/60Hz 220-240V ~ 50/60Hz
Power consumption:	1800 W	800 W	600 W
Physical specifications			
Cabinet/Case Material:	Metal	Metal	Metal
Color:	Black	Black	Black
Rack mounting:	19", 2U	19", 2U	19", 2U
Size			
Height:	88 mm / 3.46 inches	88 mm / 3.46 inches	88 mm / 3.46 inches
Width:	482 mm / 18.98 inches	482 mm / 18.98 inches	482 mm / 18.98 inches
Depth:	325 mm / 12.80 inches	325 mm / 12.80 inches	264 mm / 10.39 inches
Weight:	21.6 kg / 47.62 lbs	11.2 kg / 24.69 lbs	10.5 kg / 23.15 lbs

