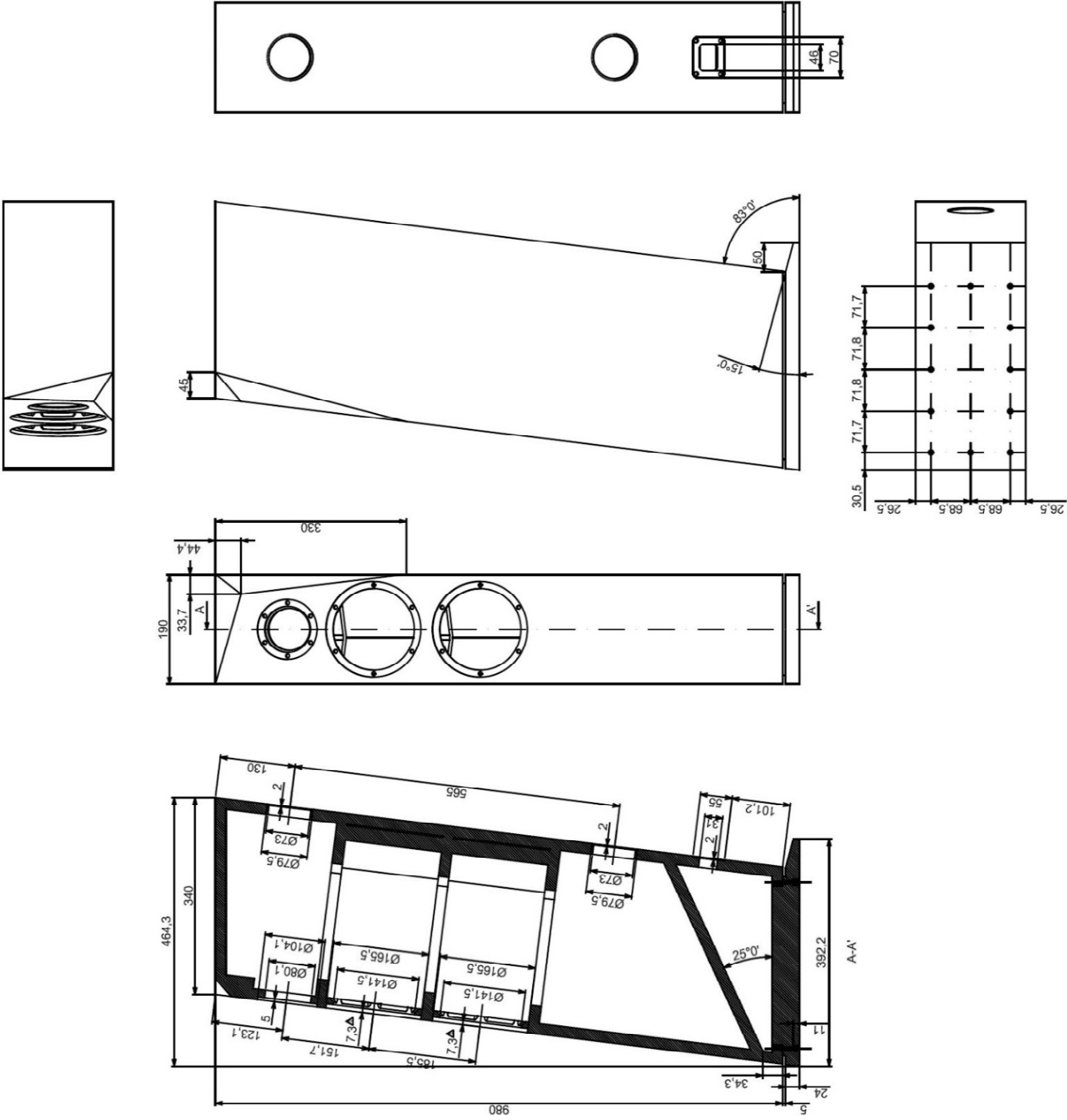


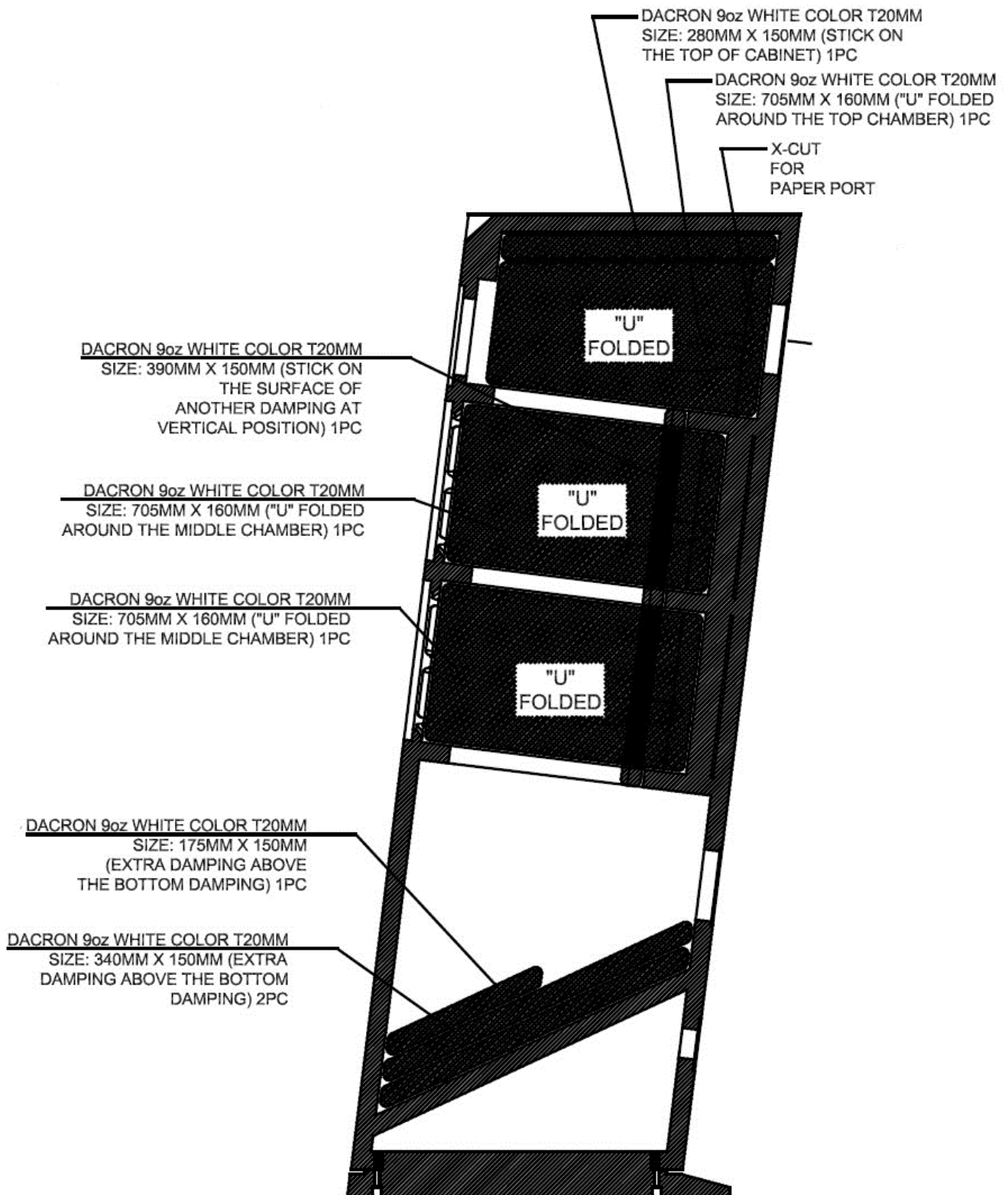
# SB Acoustics Rinjani

## User Manual

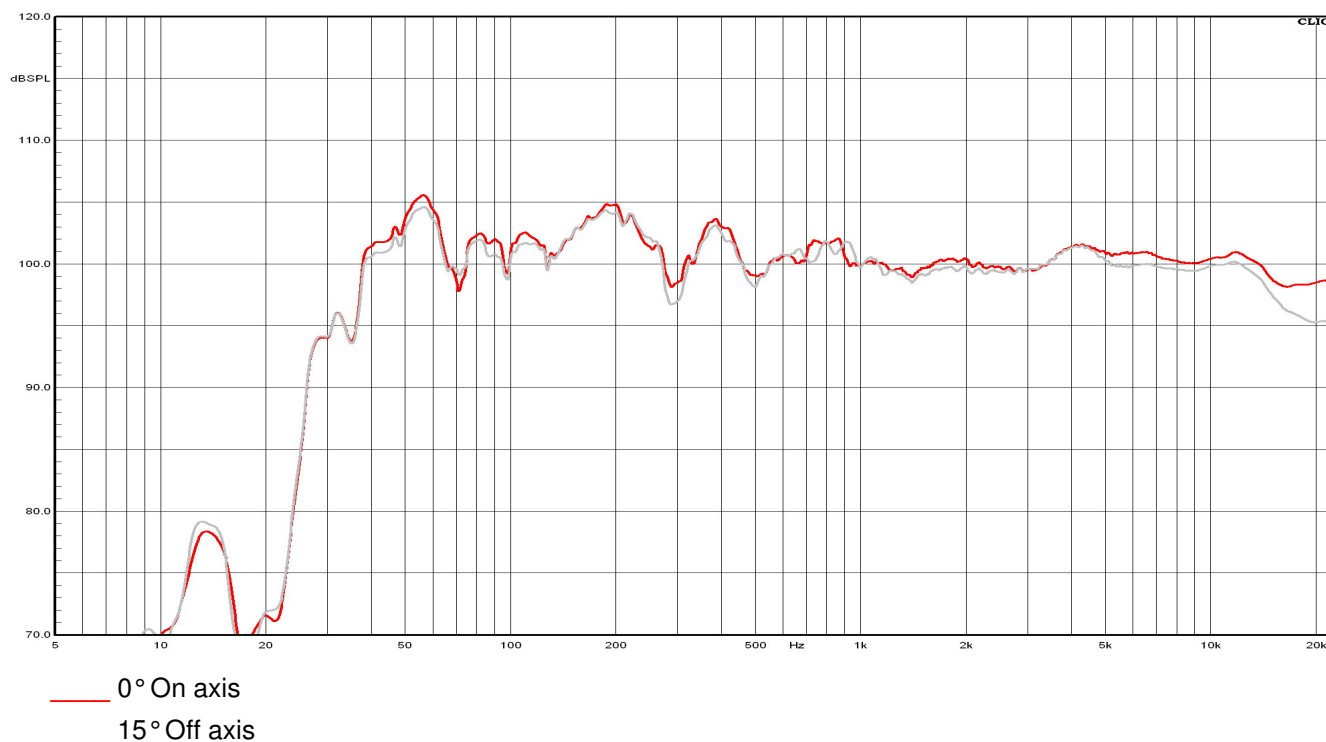
Mechanical drawing (left side)



## Damping position and size



## Frequency response



## Technical specification

Frequency range : 42-25000 Hz +/- 3dB

Sensitivity : 89 dB/ 2.83V

Nominal impedance: 4  $\Omega$

Max SPL: 107 dB

Recommended amplifier: 50-200 W

Cross-over frequency: 3000 Hz

Speaker type: 2½-way Floor Stand

Enclosure type: Bass reflex

Port tuning frequency: 35.5 Hz

Drive Units:

- High frequency driver: Satori TW29R (29 mm soft ring dome)
- Low frequency drivers: 2 x 6½" Satori MW16P-8 (advanced midwoofer)

Cabinet: 18mm MDF

Dimensions (H x W x D): 100.9 x 19 x 46.4 cm / 45.87 x 12.41 x 20.47 inch

Net weight:

- Cabinet only = 18.49 kg / 40.76 lb
- Full assy = 22.42 kg / 49.43 lb

## Special Features:

- Advanced high-end drivers
- Facets on top of cabinet for reduced high frequency diffraction
- Inclined baffle for correct time alignment of drivers (allowing for simpler cross-over design)
- Wedge shaped inner rear walls behind midwoofer for reduced direct reflection
- Internal bracing to reduce and distribute cabinet vibrations and hence lower sound coloration
- Dual ports for distribution of unwanted pipe resonances
- Inclined inner bottom for reduction of standing waves
- Solid single-wiring binding posts

## Assembling instruction

### Part list (each cabinet):

- |  |        |
|--|--------|
| ● Screw Hex M4 x 30mm (for pedestal)       | 12 pcs |
| ● Screw Hex M4 x 20mm (for drivers)        | 18 pcs |
| ● Screw JFL M4 x 20mm (for terminal plate) | 4 pcs  |
| ● Stainless Terminal plate                 | 1 pc   |
| ● Binding post                             | 1 pair |
| ● Port flare (installed on cabinet)        | 2 pcs  |
| ● Port paper tube (installed on cabinet)   | 2 pcs  |
| ● Damping (installed on cabinet)           | 1 set  |
| ● Rubber feet (installed on cabinet)       | 4 pcs  |

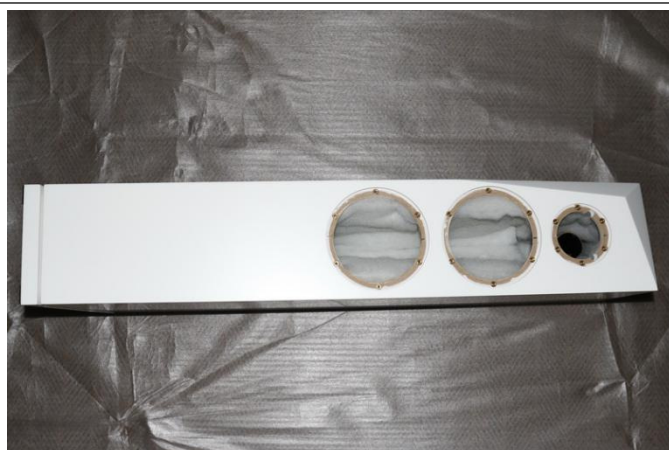
### Tools needed:

- Hex key 3mm size (for driver and pedestal screw)
- Hex key 2.5mm size (for terminal plate screw)
- Philips screwdriver no. 2 (for crossover screw)
- Soldering iron + tin (for soldering input wire to terminal)
- Hot melt glue gun (for sealing the wire hole)

#### 1. Take out the cabinet from the packaging



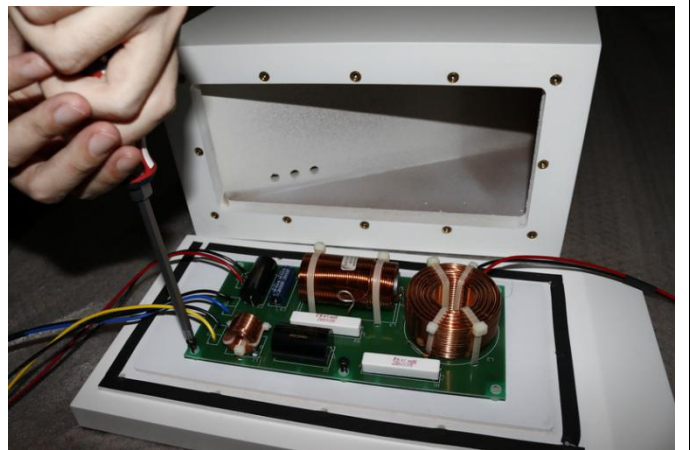
#### 2. Open the safety foam sheet.



**3. Detach the pedestal by loosening the four screws in each corner.**



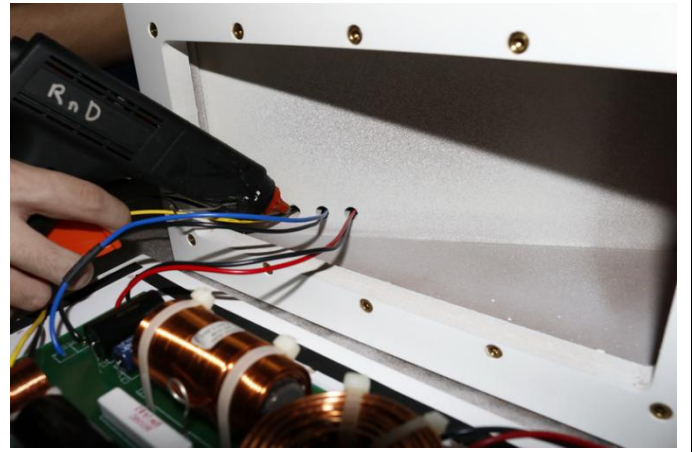
**4. Place the crossover on the center section of pedestal. Then put the input cable towards the rear terminal side and the speaker wire towards the front panel.**



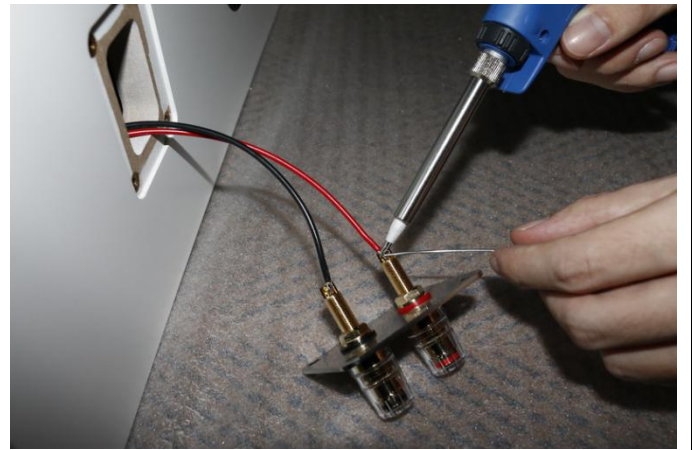
**5. Pass the three pair of the speaker wire through each holes on the bottom panel of the cabinet.**



**6. Seal all the cable holes with hot melt glue**



**7. Pull out the input cable through the terminal hole then solder it to the terminal binding post**



**8. Mount the terminal panel into the terminal hole at the back side**

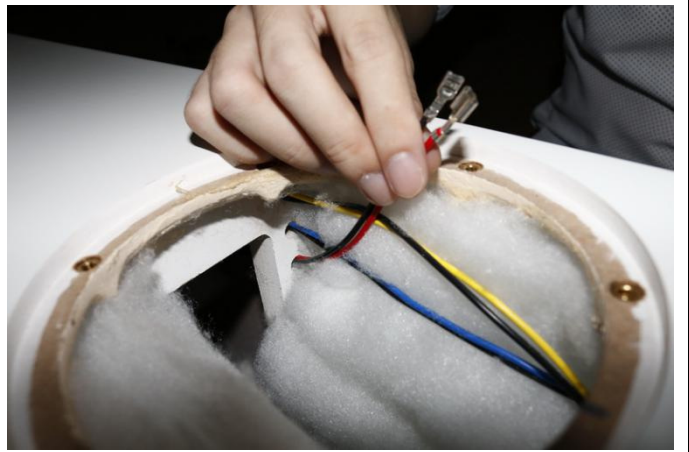


**9. Mount the pedestal back to the cabinet then tighten it by screwing in each holes ( 12 pcs screws totally )**

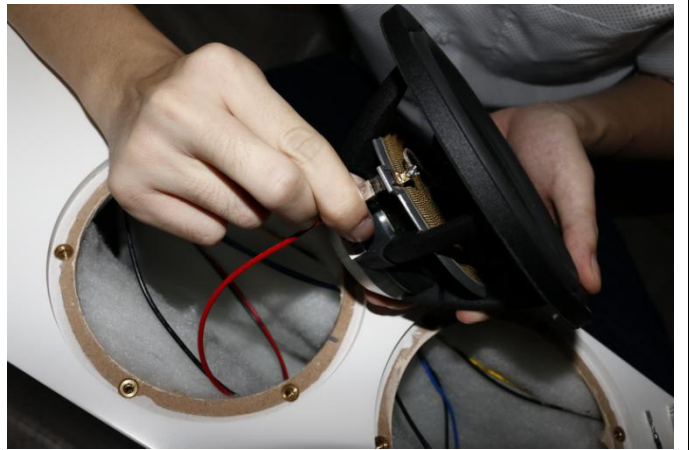




**10. Pull the three pair of cables through the holes in each each cabinet bracing**



**11. Hook up the cable to the woofer and tweeter terminal**



**12. Mount the driver to the cabinet and screw them**

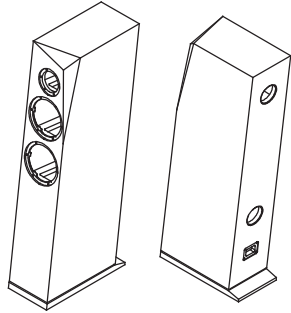






# RIGHT SPEAKER

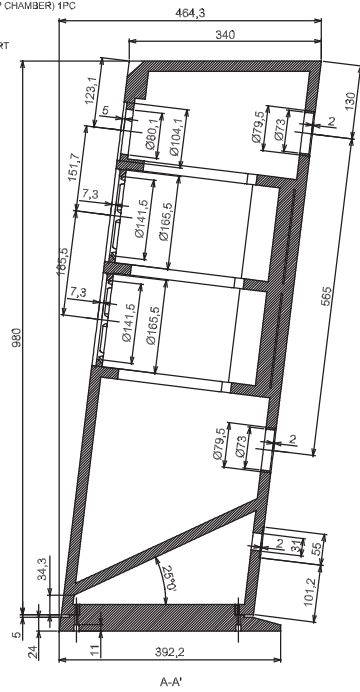
RINJANI SCHEMATIC MECHANICAL DRAWING



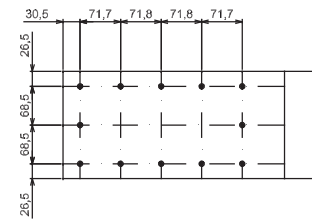
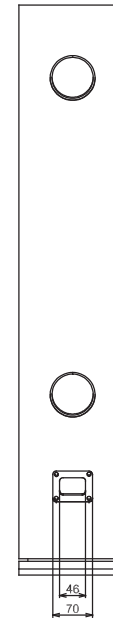
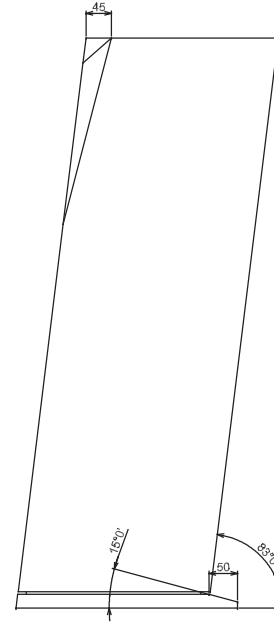
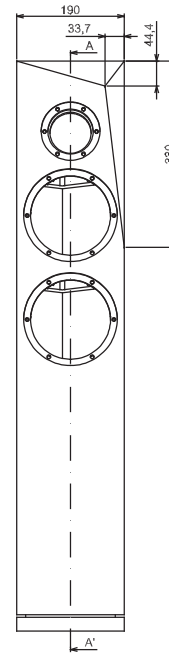
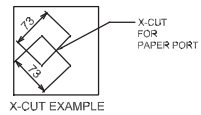
ISOMETRIC VIEW

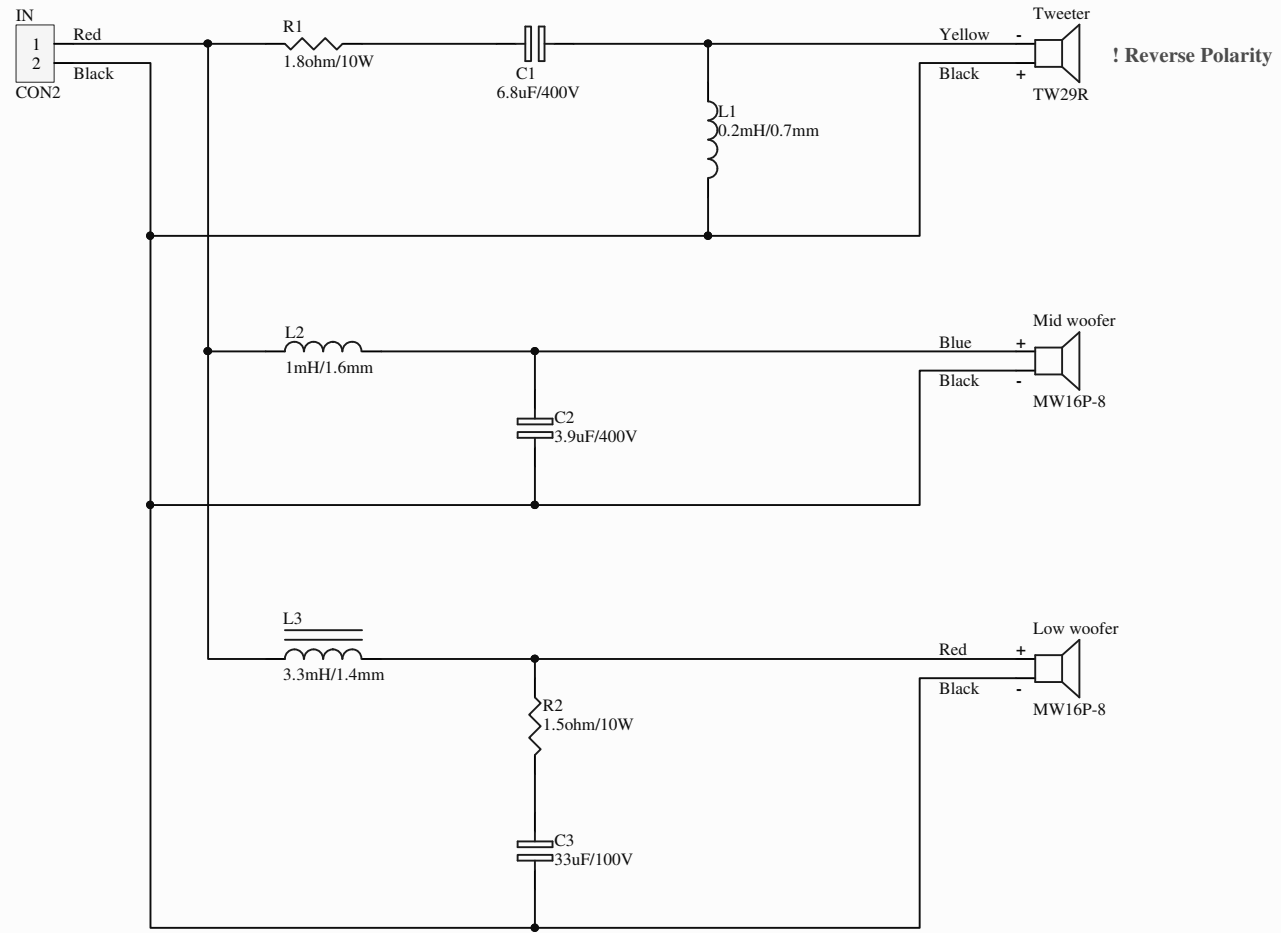
- DACRON 9oz WHITE COLOR T20MM  
SIZE: 280MM X 160MM (STICK ON THE TOP OF CABINET) 1PC
- DACRON 9oz WHITE COLOR T20MM  
SIZE: 705MM X 160MM ("U" FOLDED AROUND THE TOP CHAMBER) 1PC
- X-CUT FOR PAPER PORT
- "U" FOLDED
- DACRON 9oz WHITE COLOR T20MM  
SIZE: 80MM X 150MM (STICK ON THE SURFACE OF ANOTHER DAMPING AT VERTICAL POSITION) 1PC
- "U" FOLDED
- DACRON 9oz WHITE COLOR T20MM  
SIZE: 705MM X 160MM ("U" FOLDED AROUND THE MIDDLE CHAMBER) 1PC
- "U" FOLDED
- DACRON 9oz WHITE COLOR T20MM  
SIZE: 175MM X 160MM (EXTRA DAMPING ABOVE THE BOTTOM DAMPING) 1PC
- DACRON 9oz WHITE COLOR T20MM  
SIZE: 340MM X 160MM (EXTRA DAMPING ABOVE THE BOTTOM DAMPING) 2PC

DAMPING SIZE AND POSITION



A-A'

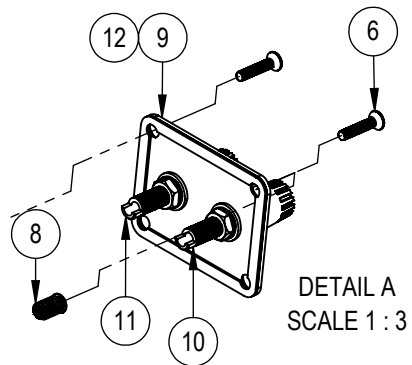
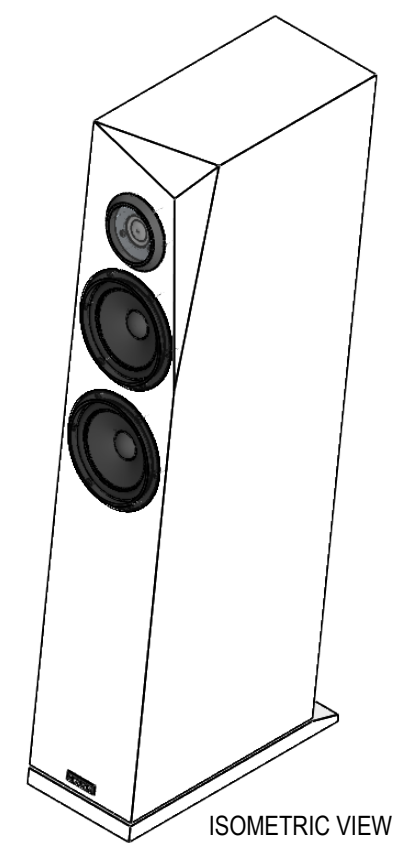
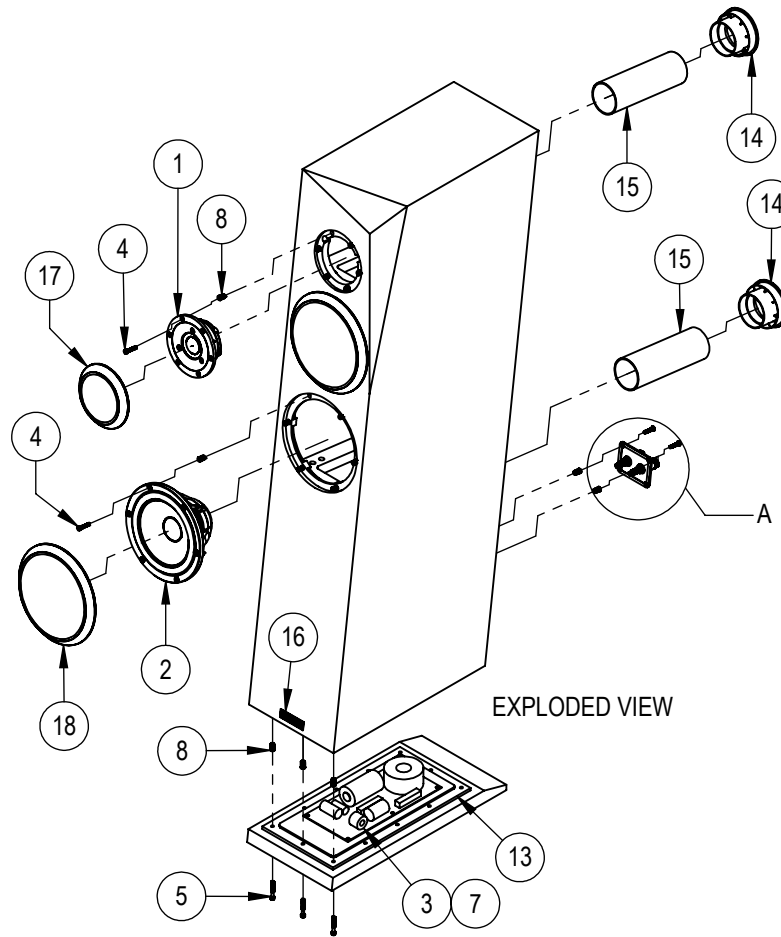




Title			SBA Satori Rinjani		
Size	Number		Revision		
A4					
Date:	03-May-17		Sheet of		
File:	D:\My Documents\..SBA Rinjani.SchDoc		Drawn By:		

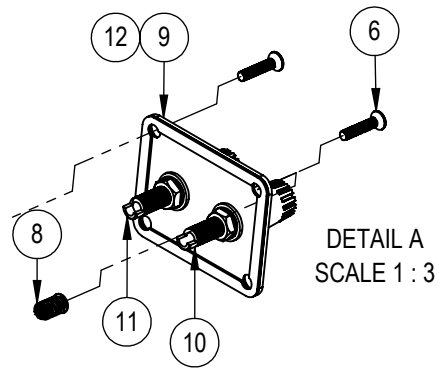
NO.	PART NUMBER	QTY.
1	SATORI TW29R-B (Sold separately)	1
2	6½" SATORI MW16P-8 (Sold separately)	2
3	Rinjani Kit Crossover (Sold separately)	1
4	Hex Socket Screw 4x20mm (For driver)	18
5	Hex Socket Screw 4x30mm (For pedestal)	12
6	Countersunk Screw 4X20mm (For terminal plate)	4
7	Wood Screw 4x16mm (From kit crossover)	6
8	Insert Nut M4 (Installed)	34
9	Stainless Steel Terminal Panel	1
10	Binding Post (-) (Black)	1
11	Binding Post (+) (Red)	1
12	Seal Gasket (For terminal plate)	1
13	Seal Gasket (For pedestal)	1
14	Port flare d:50mm (Installed on cabinet)	2
15	Paper tube d:50mm L:160mm (Installed on cabinet)	2
16	Name Plate	1
17	Grille for tweeter	1
18	Grille for woofer	2
19	Damping Material (See cut pattern)	1

REV NO	REVISION NOTE	DATE	DRAWN	CHECKED
I	FOR R&D PURPOSE ONLY	July 21, 2017		

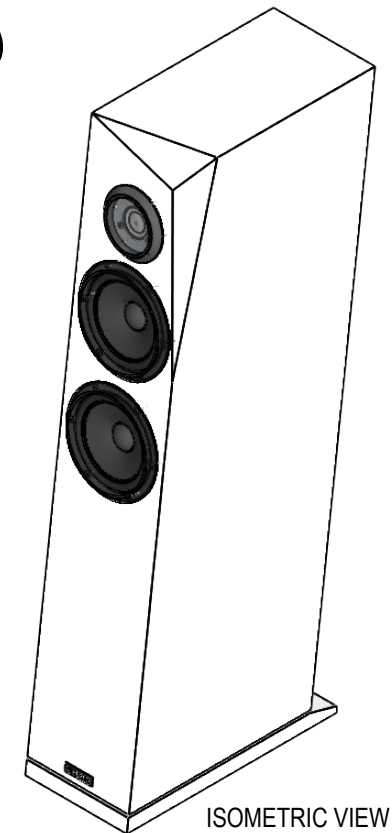
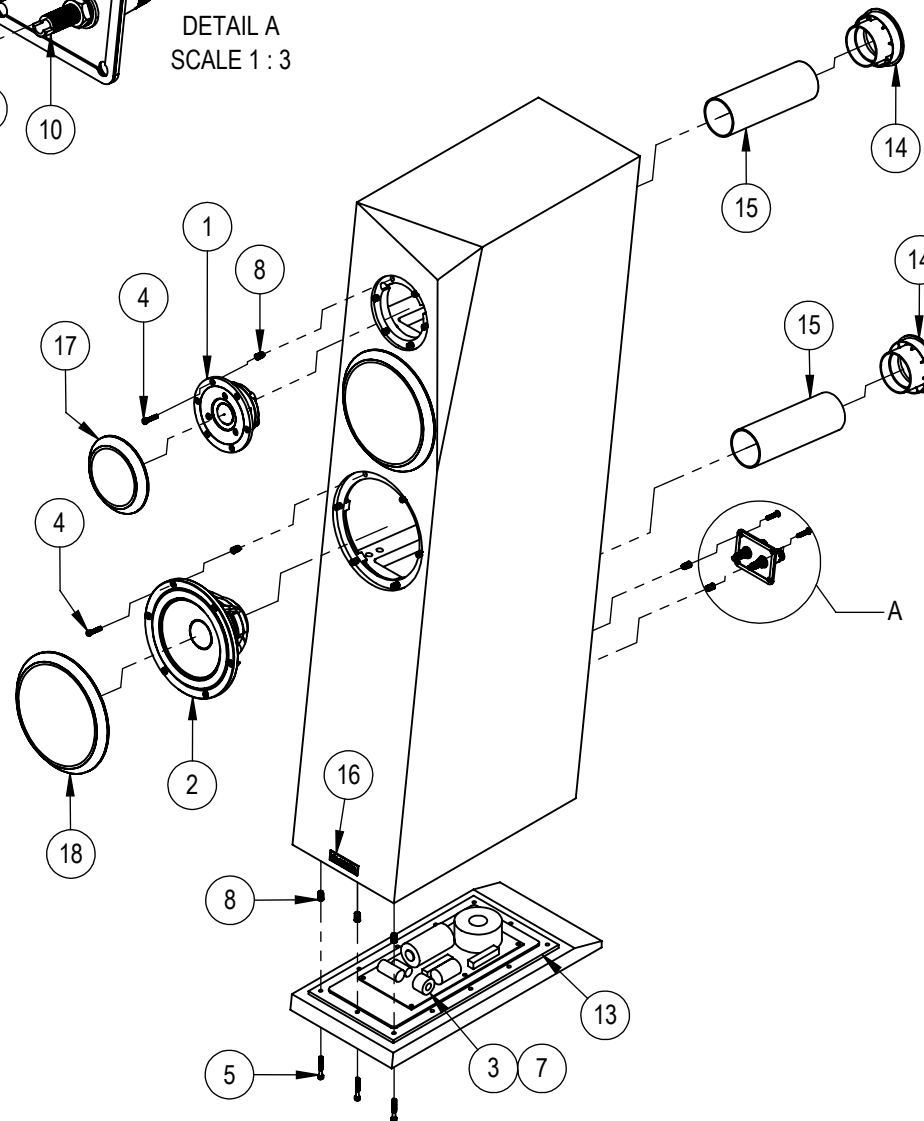


NO	QTY	DESCRIPTION	MATERIAL / COLOR	DIMENSION	REFERENCE								
1	-	-	-	-	-								
		<table border="1"> <tr> <td>DRAWN BY</td> <td>CHECKED BY</td> <td>APPROVED BY</td> <td>APPROVED BY</td> </tr> <tr> <td>ARIS S</td> <td>SUHARYANTO</td> <td>HADI S</td> <td>SOEGIONO</td> </tr> </table>	DRAWN BY	CHECKED BY	APPROVED BY	APPROVED BY	ARIS S	SUHARYANTO	HADI S	SOEGIONO	TITLE : Explode Drawing MODEL : RINJANI		
DRAWN BY	CHECKED BY	APPROVED BY	APPROVED BY										
ARIS S	SUHARYANTO	HADI S	SOEGIONO										
CV. SINAR BAJA ELECTRIC				PART NO :	SCALE : --								
					A4								

# RINJANI KIT - EXPLODED VIEW



NO.	PART NUMBER	QTY.
1	SATORI TW29R-B (Sold separately)	1
2	6½" SATORI MW16P-8 (Sold separately)	2
3	Rinjani Kit Crossover (Sold separately)	1
4	Hex Socket Screw 4x20mm (For driver)	18
5	Hex Socket Screw 4x30mm (For pedestal)	12
6	Countersunk Screw 4X20mm (For terminal plate)	4
7	Wood Screw 4x16mm (From kit crossover)	6
8	Insert Nut M4 (Installed)	34
9	Stainless Steel Terminal Panel	1
10	Binding Post (-) (Black)	1
11	Binding Post (+) (Red)	1
12	Seal Gasket (For terminal plate)	1
13	Seal Gasket (For pedestal)	1
14	Port flare d:50mm (Installed on cabinet)	2
15	Paper tube d:50mm L:160mm (Installed on cabinet)	2
16	Name Plate	1
17	Grille for tweeter	1
18	Grille for woofer	2
19	Damping Material (See cut pattern)	1



# 8|ACOUSTICS

## Rinjani-Be Kit



## User Manual

**Technical specification :**

Frequency range	: 42-30000 Hz +/-3 dB
Sensitivity (2.83V / 1m)	: 89 dB
Nominal impedance	: 4Ω
Max SPL	: 107 dB
Recommended amplifier	: 50-200 W
Cross-over frequency	: 2300 Hz
Speaker type	: 2½-way Floor Stand
Enclosure type	: Bass reflex
Port tuning frequency	: 35.5 Hz

**Drive Units:**

- High frequency driver : SATORI TW29BN  
(Beryllium Tweeter)
- Low frequency drivers : 2 x 6½" SATORI MW16P-8  
(advanced midwoofer)

**Cabinet:**

18 mm MDF

Dimensions (H x W x D) : 1009 x 190 x 464 mm / 45.87 x 12.41 x 20.47 inch

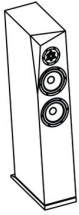
**Net weight (pair):**

- Cabinet only : 18.49 kg / 40.76 lb
- Full assembly : 22.42 kg / 49.43 lb

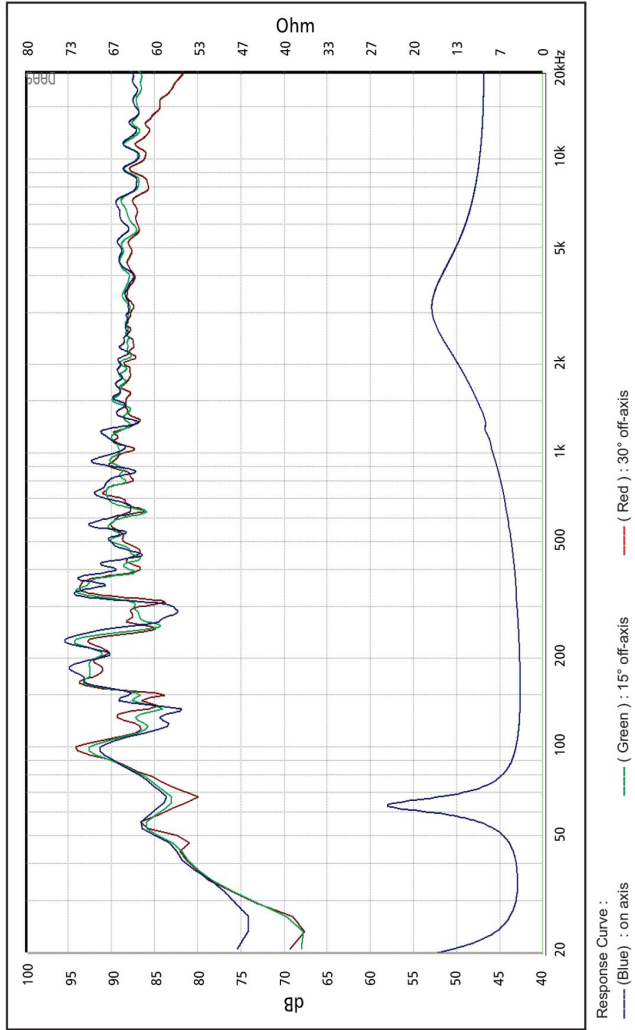
**Special Features:**

- Advanced high-end drivers
- Facets on top of cabinet for reduced high frequency diffraction
- Inclined baffle for correct time alignment of drivers (allowing for simpler cross-over design)
- Wedge shaped inner rear walls behind midwoofer for reduced direct reflection
- Internal bracing to reduce and distribute cabinet vibrations and hence lower sound coloration
- Dual ports for distribution of unwanted pipe resonances
- Inclined inner bottom for reduction of standing waves
- Solid single-wiring binding posts



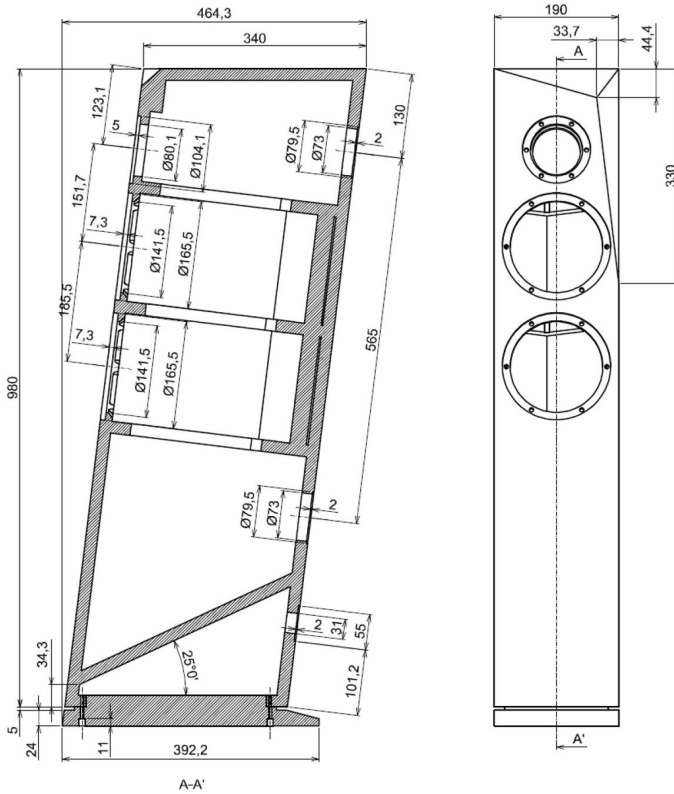


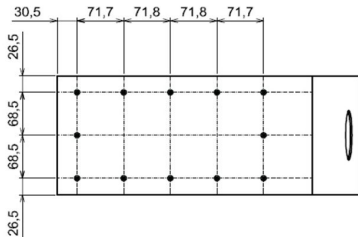
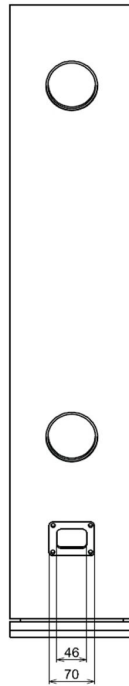
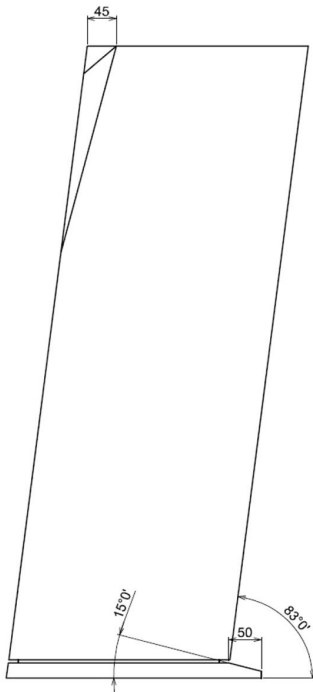
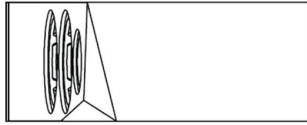
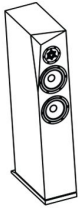
Frequency response ( Rinjani-Be )



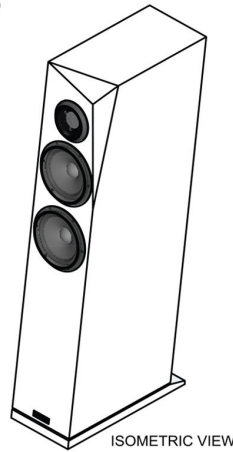
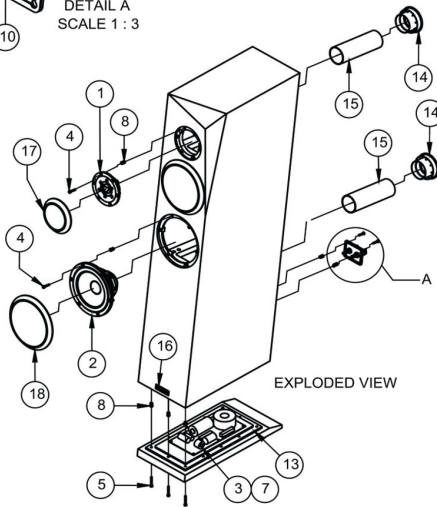
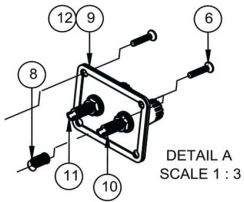
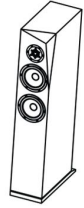


## Mechanical drawing (size in mm)

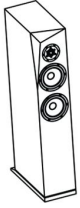




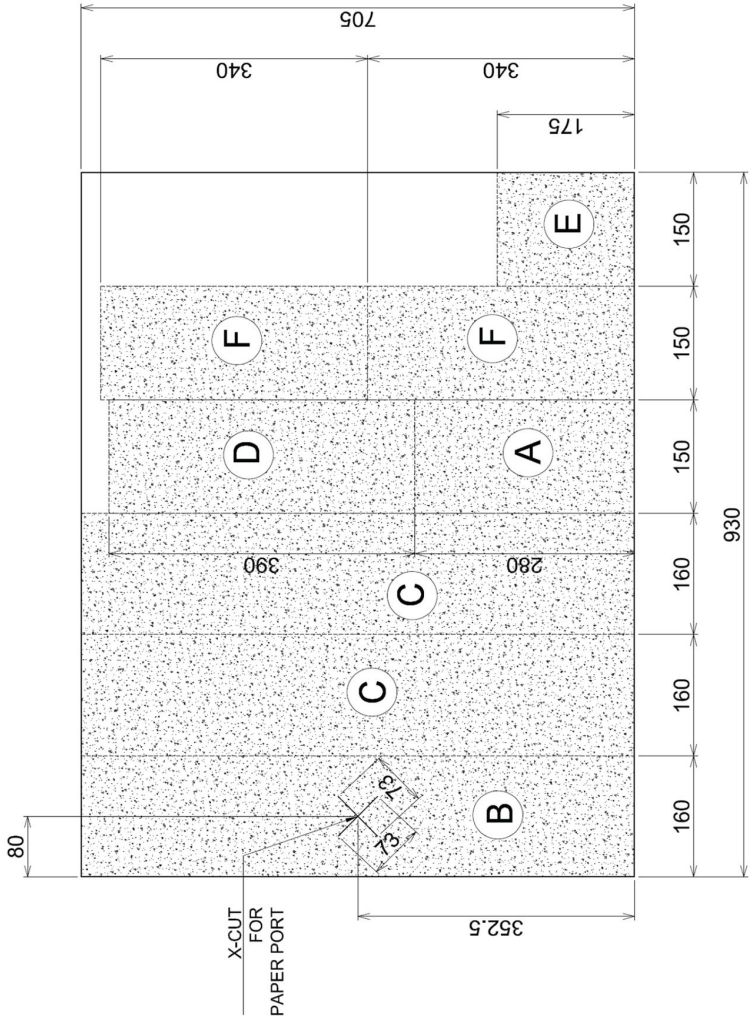
## RINJANI KIT - EXPLODED VIEW

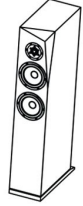


NO.	PART NUMBER	QTY.
1	SATORI TW29BN (Sold Separately)	1
2	6½" SATORI MW16P-8 (Sold separately)	2
3	Rinjani Kit Crossover (Sold separately)	1
4	Hex Socket Screw 4x20mm (For driver)	18
5	Hex Socket Screw 4x30mm (For pedestal)	12
6	Countersunk Screw 4x20mm (For terminal plate)	4
7	Wood Screw 4x16mm (From kit crossover)	6
8	Insert Nut M4 (Installed)	34
9	Stainless Steel Terminal Panel	1
10	Binding Post (-) (Black)	1
11	Binding Post (+) (Red)	1
12	Seal Gasket (For terminal plate)	1
13	Seal Gasket (For pedestal)	1
14	Port flare d:50mm (Installed on cabinet)	2
15	Paper tube d:50mm L:160mm (Installed on cabinet)	2
16	Name Plate	1
17	Grille for tweeter	1
18	Grille for woofer	2
19	Damping Material (See cut pattern)	1

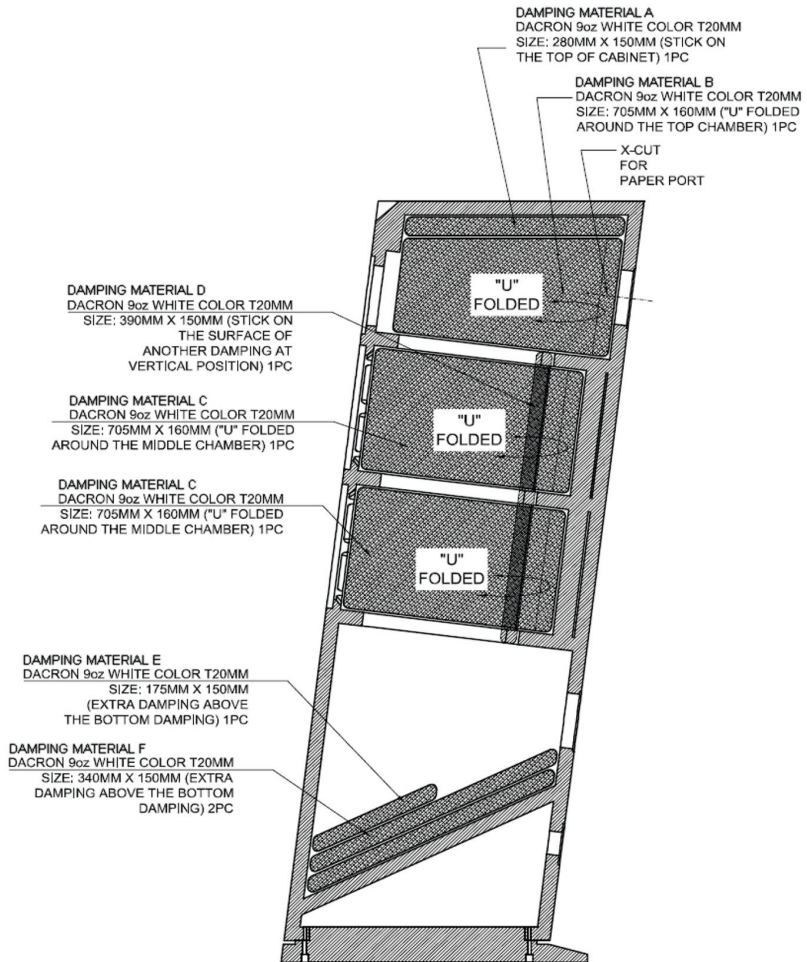


**Damping Material Cut Pattern (Size in mm)**

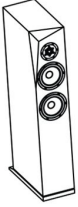




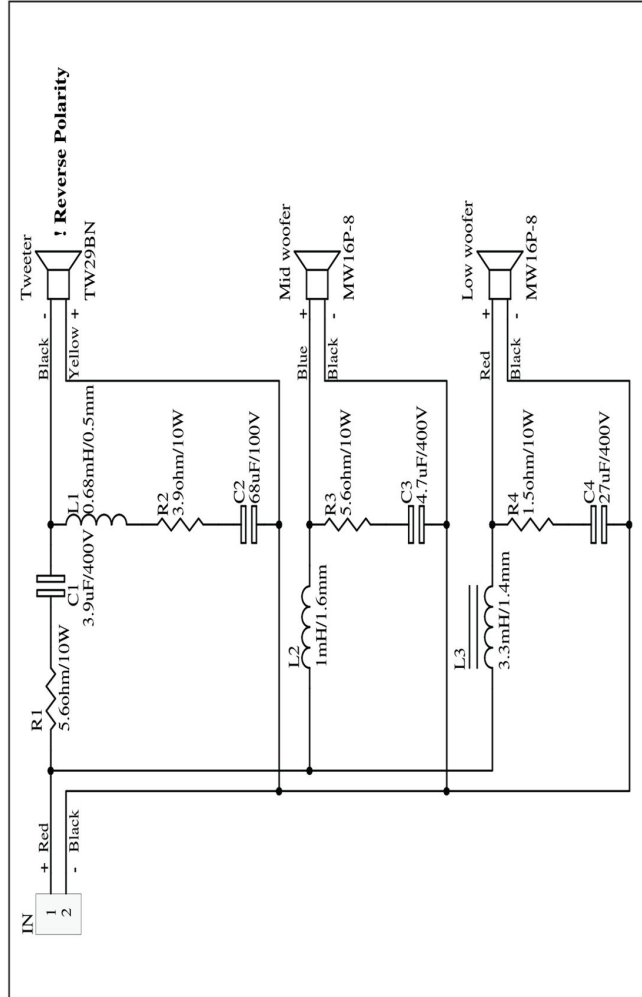
## Damping material position (size in mm)

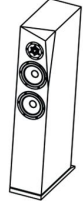






Crossover Schematic ( Rinjani-Be )





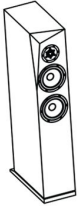
## Assembling instruction

### Part list (each cabinet):

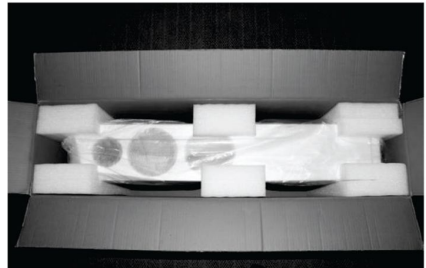
- High frequency driver SATORI TW29BN (sold separately).....	1 pc
- Low frequency drivers 6½" SATORI MW16P-8 (sold separately).....	2 pcs
- Rinjani kit crossover (sold separately) .....	1 pc
- Hex socket screw M4 x 20mm (for drivers).....	18 pcs
- Hex socket screw M4 x 30mm (for pedestal) .....	12 pcs
- Countersunk screw M4 x 20mm (for terminal plate) .....	4 pcs
- Wood screw 4 x 16 mm for crossover (from kit crossover) .....	6 pcs
- Insert nut M4 (Installed) .....	34 pcs
- Stainless Terminal plate .....	1 pc
- Binding post .....	1 pair
- Seal gasket (for terminal plate) .....	1 pc
- Seal gasket (for pedestal, installed on cabinet) .....	1 pc
- Port flare (installed on cabinet) .....	2 pcs
- Port paper tube (installed on cabinet) .....	2 pcs
- Damping .....	1 pc
- Name plate .....	1pc
- Tweeter grill .....	1 pc
- Woofer grill .....	2 pcs

### Tools needed:

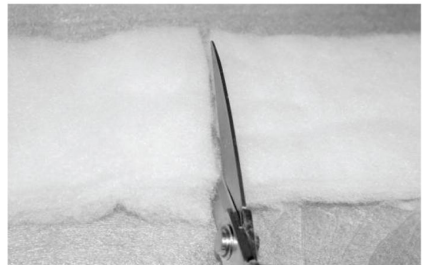
- Hex key 3mm size (for driver screw)
- Hex key 2.5mm size (for terminal plate screw)
- Philips screwdriver no. 2 (for crossover screw)
- Soldering iron + tin (for soldering input wire to terminal)
- Hot melt glue gun(for attaching the damping and sealing the wire hole)



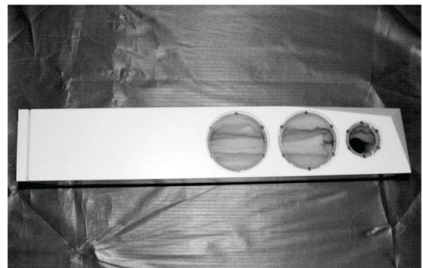
1. Take out the cabinet from the packaging and take out the raw damping material from the cabinet



2. Cut the raw damping material to 8 pcs of damping according to the cutting pattern diagram

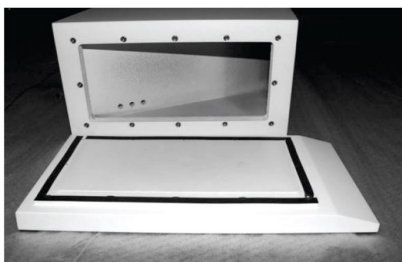


3. Place each damping part into the cabinet according to position diagram. Ad a bit of glue if needed to hold the damping in place

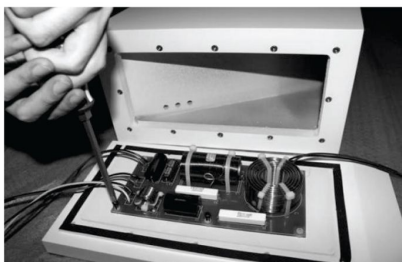


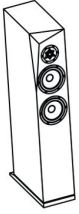


4. Detach the pedestal by loosening the four screws in each corner



5. Place the crossover on top of the pedestal, then put the input cable towards the rear terminal side and the speaker wire towards the front panel

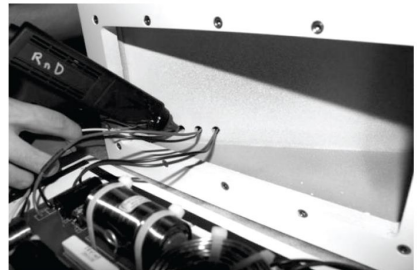




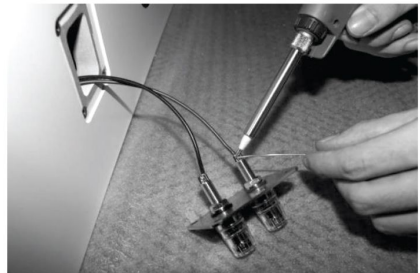
6. Pass the three pair of speaker wire through each hole in the bottom panel of the cabinet



7. Seal all the cable holes with hot melt glue

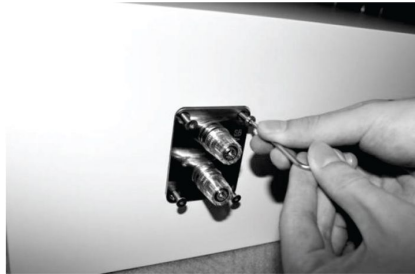


8. Pull out the input cable through the terminal hole then solder it to the binding post terminal





9. Mount the terminal panel into the terminal hole at the back side



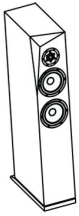
10. Mount the pedestal back to the cabinet then tighten it by tightening all 12 screws



11. Pull the three pair of cables through the holes in each cabinet bracing







12. Hook up the cable to the woofer and tweeter terminal



13. Mount the driver to the cabinet and fasten the screws



**Find Us On**

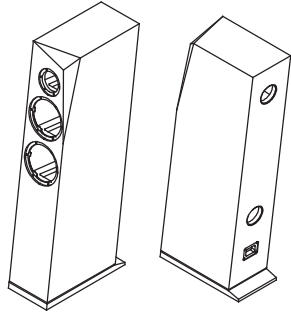


[www.sbacoustics.com](http://www.sbacoustics.com)

---

# RIGHT SPEAKER

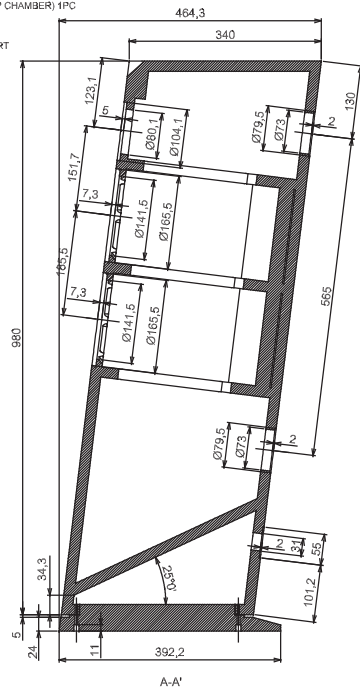
RINJANI SCHEMATIC MECHANICAL DRAWING



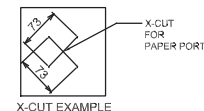
ISOMETRIC VIEW

- DACRON 90z WHITE COLOR T20MM  
SIZE: 280MM X 160MM (STICK ON THE TOP OF CABINET) 1PC
- DACRON 90z WHITE COLOR T20MM  
SIZE: 705MM X 160MM ("U" FOLDED AROUND THE TOP CHAMBER) 1PC
- X-CUT FOR PAPER PORT
- "U" FOLDED
- DACRON 90z WHITE COLOR T20MM  
SIZE: 80MM X 150MM (STICK ON THE SURFACE OF ANOTHER DAMPING AT VERTICAL POSITION) 1PC
- "U" FOLDED
- DACRON 90z WHITE COLOR T20MM  
SIZE: 705MM X 160MM ("U" FOLDED AROUND THE MIDDLE CHAMBER) 1PC
- "U" FOLDED
- DACRON 90z WHITE COLOR T20MM  
SIZE: 175MM X 160MM (EXTRA DAMPING ABOVE THE BOTTOM DAMPING) 1PC
- DACRON 90z WHITE COLOR T20MM  
SIZE: 340MM X 160MM (EXTRA DAMPING ABOVE THE BOTTOM DAMPING) 2PC

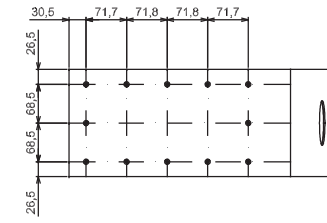
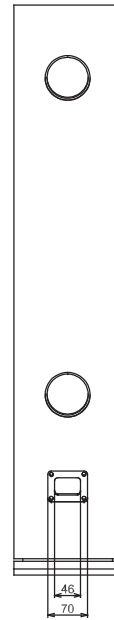
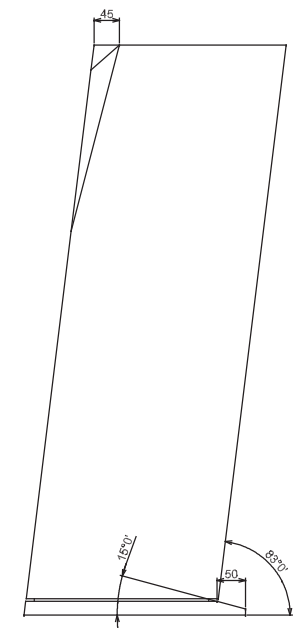
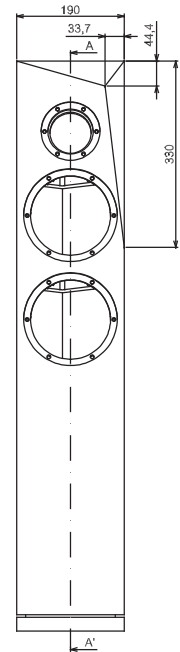
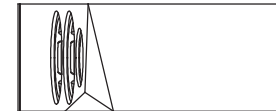
DAMPING SIZE AND POSITION



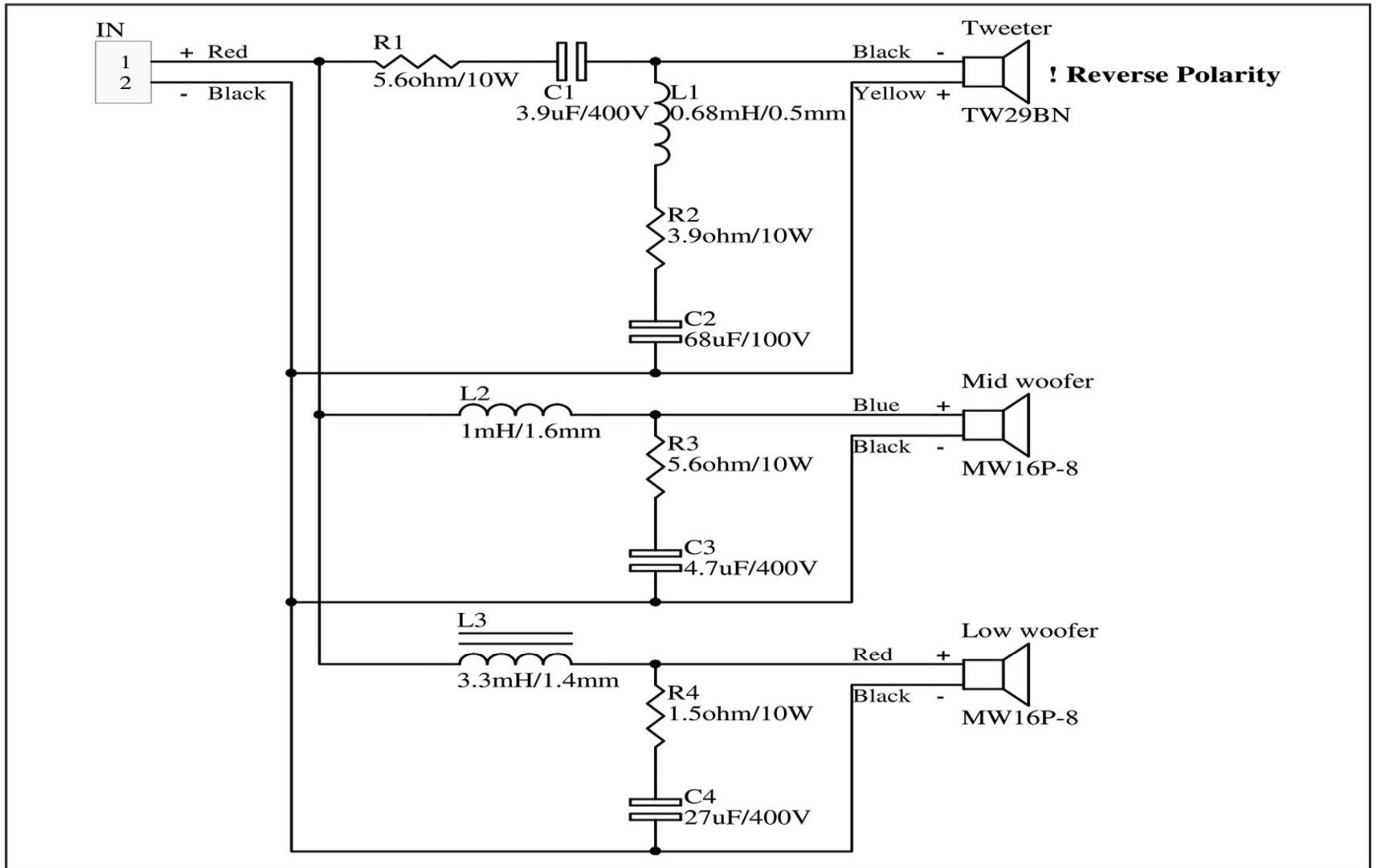
A-A'

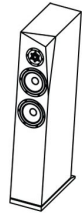


X-CUT EXAMPLE



# Crossover Schematic ( Rinjani-Be )



**Technical specification :**

Frequency range	: 42-30000 Hz +/-3 dB
Sensitivity (2.83V / 1m)	: 89 dB
Nominal impedance	: 4Ω
Max SPL	: 107 dB
Recommended amplifier	: 50-200 W
Cross-over frequency	: 2300 Hz
Speaker type	: 2½-way Floor Stand
Enclosure type	: Bass reflex
Port tuning frequency	: 35.5 Hz

**Drive Units:**

- High frequency driver : SATORI TW29BN  
(Beryllium Tweeter)
- Low frequency drivers : 2 x 6½" SATORI MW16P-8  
(advanced midwoofer)

**Cabinet:**

18 mm MDF

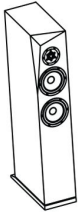
Dimensions (H x W x D) : 1009 x 190 x 464 mm / 45.87 x 12.41 x 20.47 inch

**Net weight (pair):**

- Cabinet only : 18.49 kg / 40.76 lb
- Full assembly : 22.42 kg / 49.43 lb

**Special Features:**

- Advanced high-end drivers
- Facets on top of cabinet for reduced high frequency diffraction
- Inclined baffle for correct time alignment of drivers (allowing for simpler cross-over design)
- Wedge shaped inner rear walls behind midwoofer for reduced direct reflection
- Internal bracing to reduce and distribute cabinet vibrations and hence lower sound coloration
- Dual ports for distribution of unwanted pipe resonances
- Inclined inner bottom for reduction of standing waves
- Solid single-wiring binding posts



Frequency response ( Rinjani-Be )

