

BIANCO-15CX250

AUDIENCE

15" - Coaxial - Single Motor - 250W- 103dB

Preliminary data



- Proprietary cone material made in-house
- Integrated High-energy ferrite magnet structure for correct time alignment
- Shorting ring in motor system for reduced distortion
- Voice coil with APC (Advanced Polymer Coating) treatment for improved power handling
- Non-Conducting fibre glass voice coil former for minimum damping
- Constan directivity
- Shallow profile design for compact enclosure
- Long life silver lead wires
- Ribbon voice coil wire for high efficiency for both LF and HF driver
- Weather-proof coated conepaper
- Detailed mids and highs with strong deep bass

Dimensions & Weight

Overall Diameter	391 mm (15.39 in)
Bolt Circle Diameter	376.7 mm (14.83 in)
Baffle Cutout Diameter	361 mm (14.21 in)
Mounting Depth	175.7 mm (6.91 in)
Flange and Gasket Thickness	11.8 mm (0.46 in)
Net Weight	6.75 Kg (14.88 lb)
Shipping Box	418 x 418 x 234 mm (16.45 x 16.45 x 9.21 in)
Gross Weight	8.1 Kg (17.85 lb)

Recone Kit

N/A

NOTES :

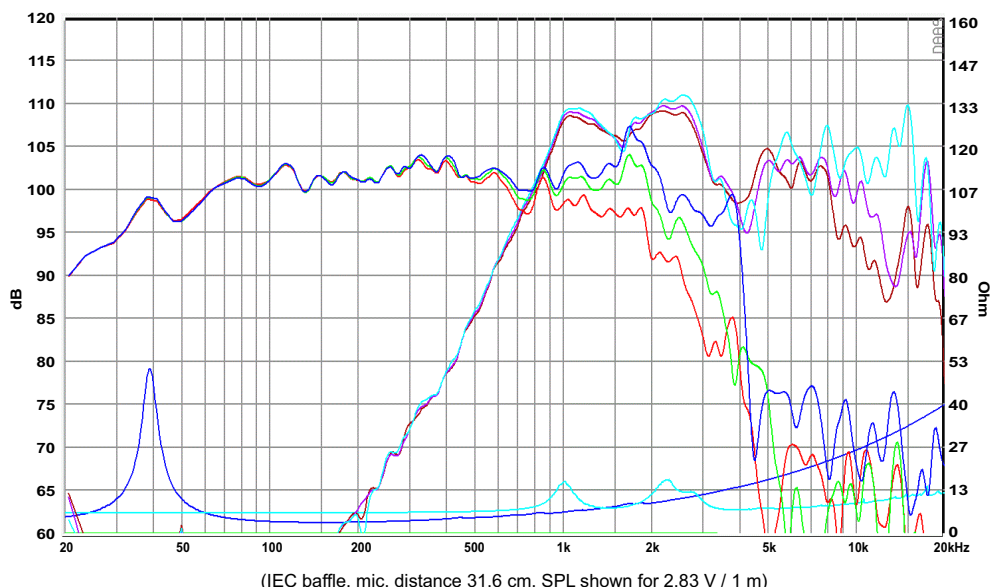
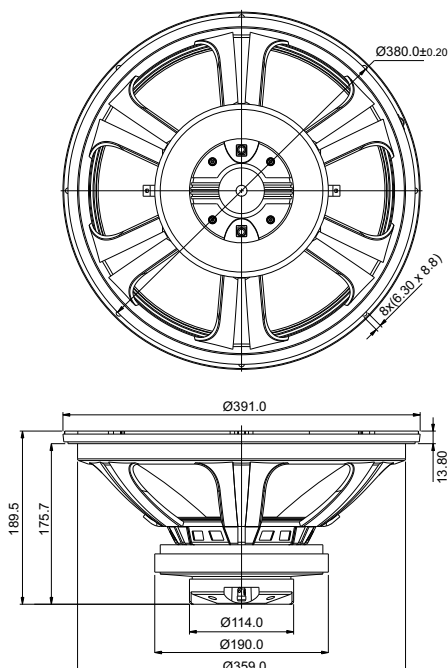
- (1) AES standard, test mode with continuous pink noise signal (6 dB crest factor; 2 hours) within the Fo to 10Fo power calculated on rated nominal impedance. Loudspeaker in free air
- (2) Maximum power is defined as 3dB greater than nominal power.
- (3) $X_{max} = (\text{Winding depth} - \text{magnetic gap depth})/2 + (\text{magnetic gap depth}/3)$
- (4) Maximum excursion (p-p) before permanent damage

Specs :

	LF Unit	HF Unit
Nominal Impedance	4 Ohm	8 Ohm
Minimum Impedance	2.8 Ohm	6.2 Ohm
AES Power Handling (1)	250 W	50 W
Maximum Power Handling (2)	500 W	100 W
Sensitivity (1W/1m)	103 dB	105 dB
Frequency Range	38 - 4000 Hz	1400 - 19500 Hz
Voice Coil Diameter	75.5 mm (3 in)	44.3 mm (1.7 in)
Winding Material	Flat copper clad aluminium	Flat copper clad aluminium
Former Material	Till	Kapton
Winding Depth	19 mm	2 mm
Magnetic Gap Depth	10 mm (0.39 in)	2.5 mm (0.098 in)
Flux Density	0.87 T	1.5 T
Diaphragm Material	-	PEEK
Magnet	Ferrite	-
Basket Material	Stamped steel	-
Demodulation	-	-
Cone Surround	Triple roll	-
NET Air Volume filled by driver	0.43 liters	-
Spider Profile	Single constant height waves	-
Weather Resistant	Yes	-

Thiele Small Parameters

Fs	37.5 Hz
Re	2.8 Ohm
Qes	0.5
Qms	9.57
Qts	0.48
Vas	219.7 liters
Sd	881.4 cm ³
Xmax (3)	7.83 mm
Xdamage (4)	21.2 mm
Mms	89 g
BL	10.8 N/A
Le	0.58 mH
Cms	0.2 mm/N
Rms	2.2 Kg/s
Eta Zero	2.23 %
EBP	-



Response Curve : (Woofer) --- (Blue) : on axis --- (Green) : 30° off-axis --- (Red) : 60° off-axis
(Tweeter) --- (Blue) : on axis --- (Purple) : 30° off-axis --- (Brown) : 60° off-axis