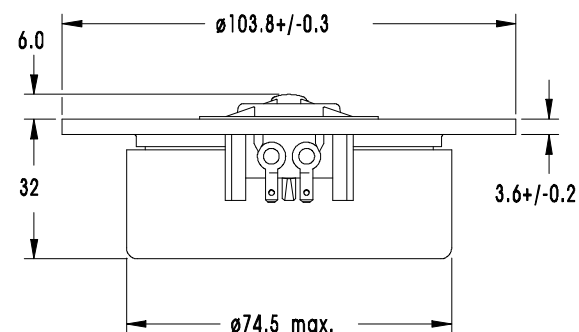
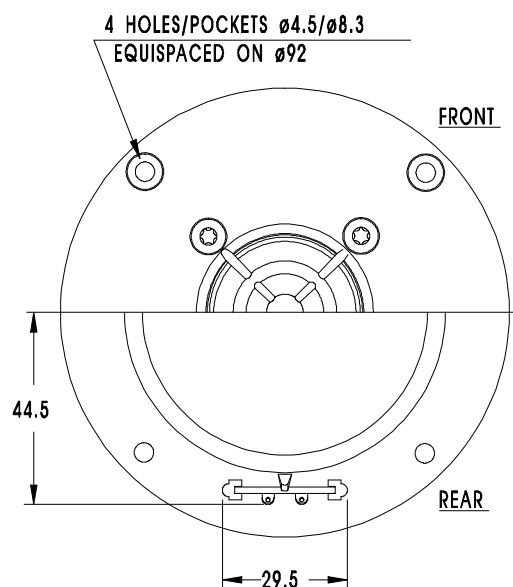


TWEETER

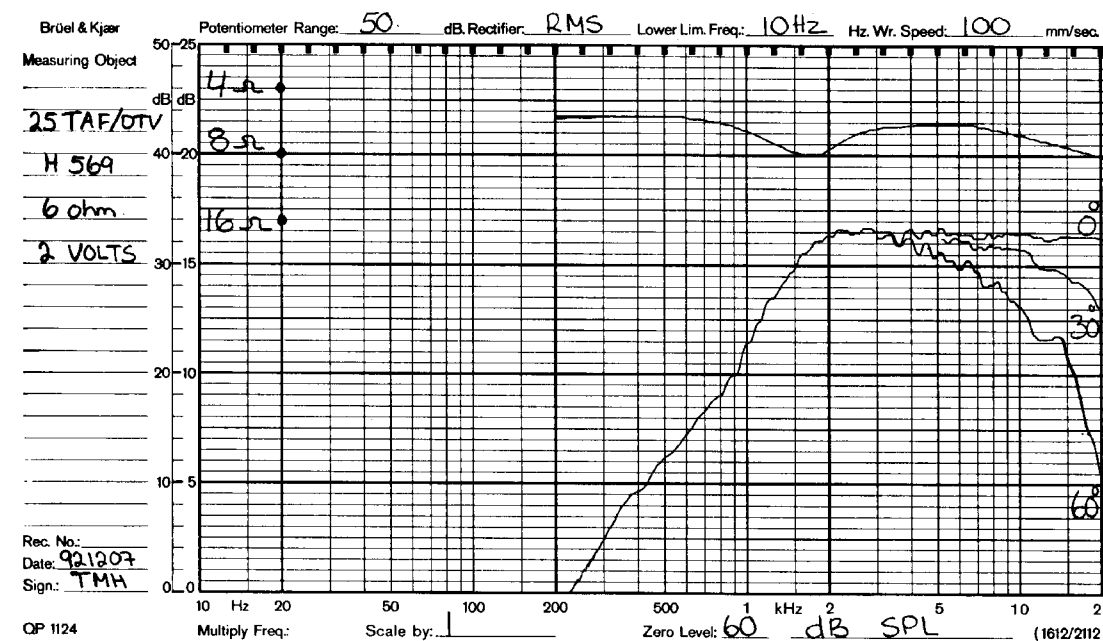
25TAF/DTV



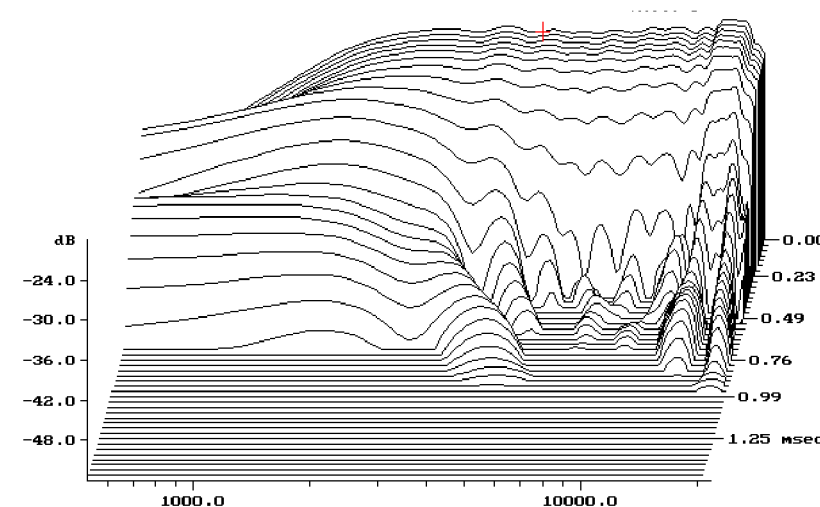
25mm High Fidelity dome tweeter with glass fibre reinforced plastic chassis. The unit features high efficiency and smooth, extended response. Its aluminium diaphragm with critically designed shape and thickness behaves like a piston throughout the audible frequency range, resulting in good dispersion above 10 kHz. A carefully designed diffuser protects the diaphragm and compensates for a slight axial roll off towards 20 kHz. A specially designed soft surround allows a low fundamental frequency and excellent mechanical linearity. The voice coil is immersed in magnetic fluid, allowing high power handling capacity and simplified crossover design. A shielded magnet system allows use in close proximity to video screens and TV sets.

NOTES

Response curve recorded in an anechoic chamber (Free-field, 4 pi radiation) with 0.5m microphone distance. The loudspeaker is mounted in a 0.6m by 0.8m baffle.



Cumulative spectral decay



| | | | |
|-------------------------------------|---------------|------------------------------------|-----------|
| NOMINAL IMPEDANCE | 6 Ohms | VOICE COIL RESISTANCE | 4.8 Ohms |
| RECOMMENDED FREQUENCY RANGE | 3000-25000 Hz | VOICE COIL INDUCTANCE (EQUIVALENT) | 0.05 mH |
| SHORT TERM MAXIMUM POWER* | 240 W | VOICE COIL DIAMETER | 26 mm |
| LONG TERM MAXIMUM POWER* | 100 W | VOICE COIL HEIGHT | 1.5 mm |
| CHARACTERISTIC SENSITIVITY (1W, 1m) | 88.5 dB SPL | MOVING MASS | 0.33 g |
| OPERATING POWER (96 dB SPL, 1m) | 5.5 W | EFFECTIVE PISTON AREA | 7.0 sq.cm |
| | | LINEAR COIL TRAVEL (p-p) | 0.5 mm |
| AIR GAP HEIGHT | 2.0 mm | FREE AIR RESONANCE | 1600 Hz |
| MAGNETIC GAP FLUX DENSITY | 1.5 T | | |
| FORCE FACTOR | 2.8 N/A | | |
| MAGNET WEIGHT | 0.4 Kg | | |
| TOTAL WEIGHT | 0.5 Kg | | |

* IEC 268-5, VIA HIGH PASS BUTTERWORTH FILTER: 3500 Hz 12 dB/oct.