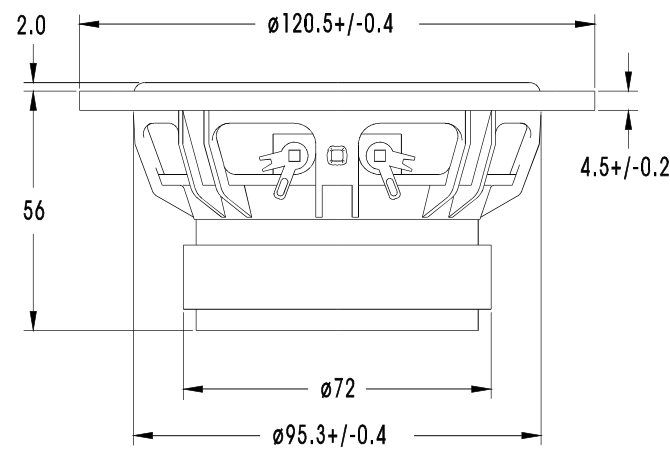
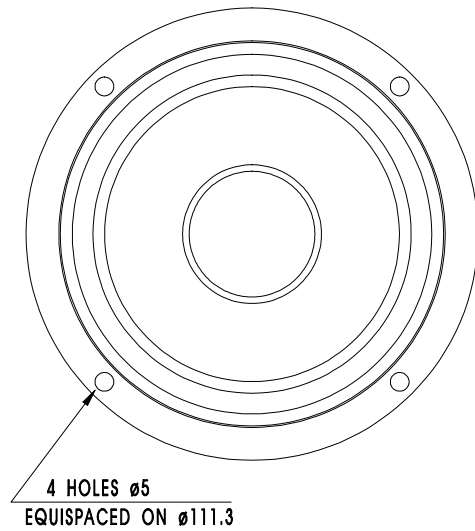


UTGÅTT

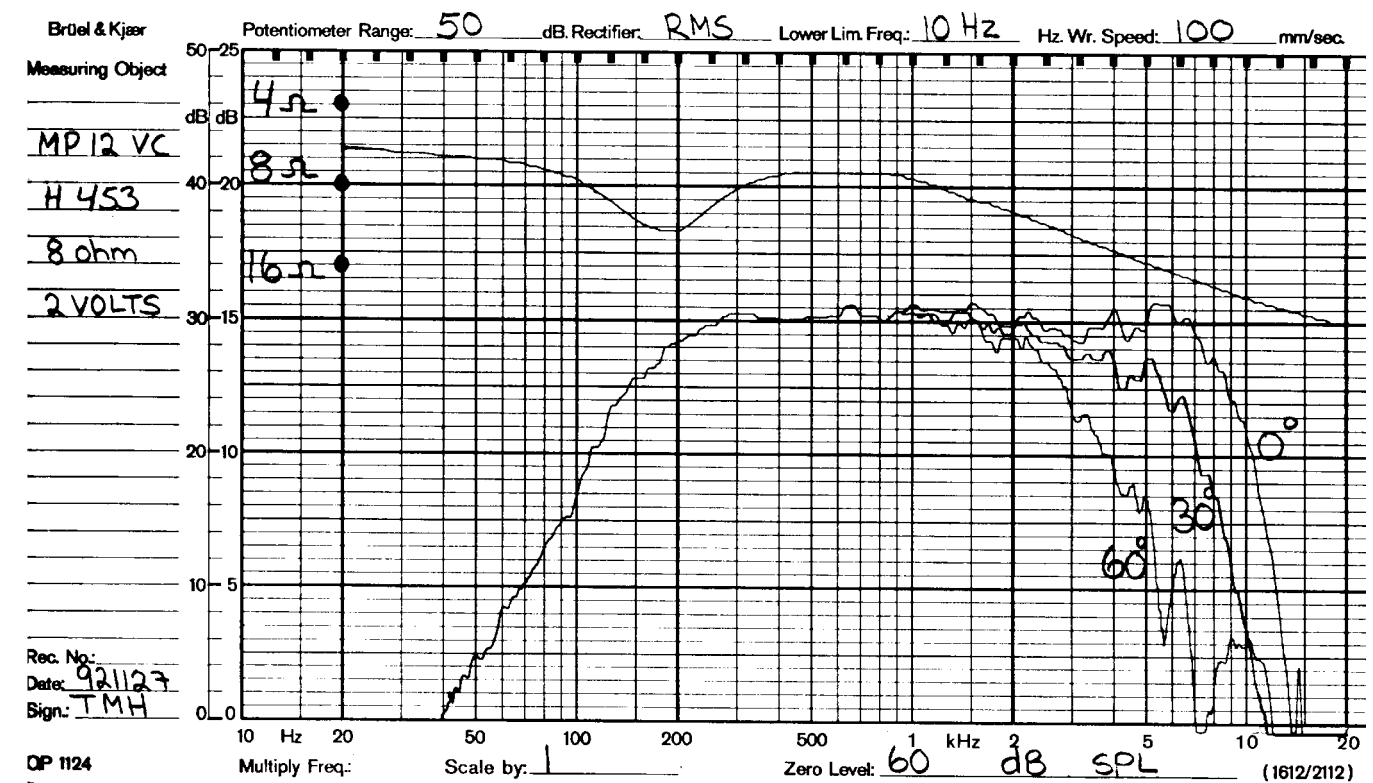
MP12VC



MP12VC is a 4.5" High Fidelity midrange unit with injection moulded, glass fibre reinforced, plastic basket. The chassis is made by a specially developed moulding tool which offers the availability of custom made integral chassis fronts at a reasonable cost. The careful matching of a filled polypropylene cone, soft PVC surround and a soft PVC dust cap gives a very smooth frequency response with excellent dynamic behavior. No additional coating of the cone has been necessary, and this results in an improved consistency between units. A high temperature voice coil wound on an aluminium voice coil former, gives high power handling capacity. A rear enclosure with optimum volume and shape is available.

NOTES

Response curve recorded in anechoic chamber (Free-field, 4 pi radiation) with 0.5m microphone distance. The loudspeaker with a 0.8 l rear chamber is mounted in a standard IEC baffle.



NOMINAL IMPEDANCE	8 Ohms	VOICE COIL RESISTANCE	6.1 Ohms
RECOMMENDED FREQUENCY RANGE	300-5000 Hz	VOICE COIL INDUCTANCE (EQUIVALENT)	0.5 mH
SHORT TERM MAXIMUM POWER *	600 W	FORCE FACTOR	5.5 N/A
LONG TERM MAXIMUM POWER*	90 W	FREE AIR RESONANCE	90 Hz
CHARACTERISTIC SENSITIVITY (1W, 1m)	89.5 dB SPL	MOVING MASS	5.5 g
OPERATING POWER (96 dB SPL, 1 m)	4.5 W	AIR LOAD MASS IN IEC BAFFLE	0.2 g
VOICE COIL DIAMETER	26 mm	SUSPENSION COMPLIANCE	0.6 mm/N
VOICE COIL HEIGHT	7.8 mm	SUSPENSION MECHANICAL RESISTANCE	2.4 Ns/m
AIR GAP HEIGHT	6.0 mm	EFFECTIVE PISTON AREA	62 sq.cm
LINEAR COIL TRAVEL (p-p)	1.8 mm		
MAXIMUM COIL TRAVEL (p-p)	---	VAS	2.9 Litres
MAGNETIC GAP FLUX DENSITY	1.0 T	QMS	1.34
MAGNET WEIGHT	0.25 Kg	QES	0.65
TOTAL WEIGHT	0.65 Kg	QTS	0.44

* IEC 268-5, VIA HIGH PASS BUTTERWORTH FILTER 800 Hz 6 dB/oct.