

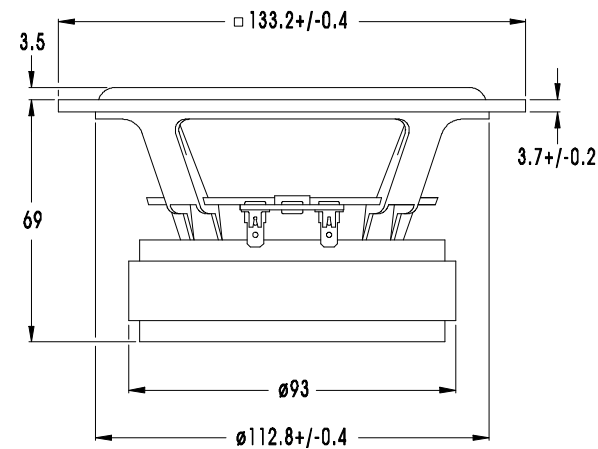
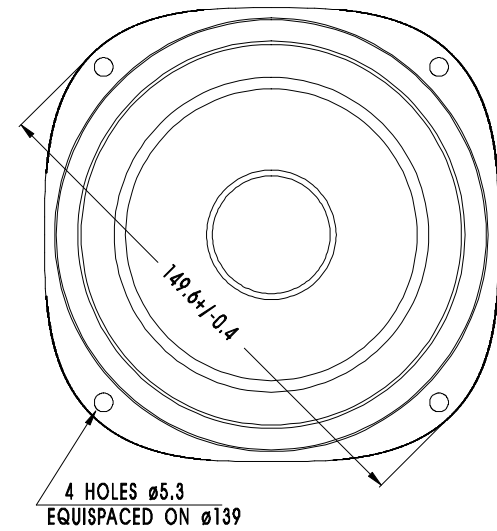
seas

OF NORWAY

H 422

MIDRANGE

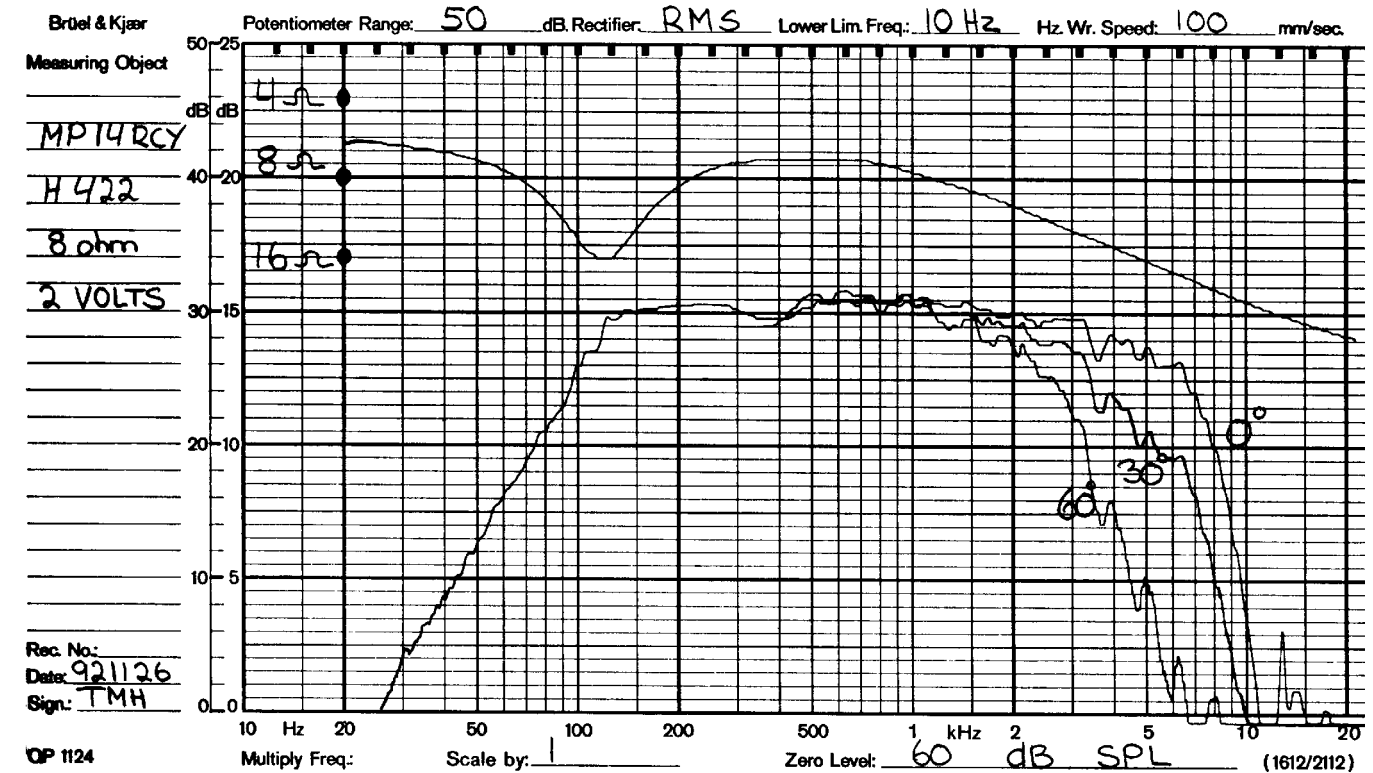
MP14RCY



MP14RCY is a 5" High Fidelity midrange unit with a stiff and stable injection moulded metal chassis. Careful matching of the polypropylene based cone, the high loss rubber surround and the PVC dust cap has resulted in a well behaved frequency response, even in the upper roll off region. A high temperature voice coil wound on an aluminium voice coil former gives a high power handling capacity. Thanks to this and excellent linearity, the unit will perform well even far down into the bass region. The MP14RCY is equipped with a heavy magnet structure for improved efficiency and voice coil control. A rear enclosure with optimized shape and volume is available.

NOTES

Response curve recorded in anechoic chamber (Free-field, 4 pi radiation) with 0.5m microphone distance. The loudspeaker with a 1.7 l rear chamber is mounted in a standard IEC baffle.



NOMINAL IMPEDANCE	8 Ohms	VOICE COIL RESISTANCE	5.7 Ohms
RECOMMENDED FREQUENCY RANGE	100-4000 Hz	VOICE COIL INDUCTANCE (EQUIVALENT)	0.65 mH
SHORT TERM MAXIMUM POWER *	400 W	FORCE FACTOR	6.6 N/A
LONG TERM MAXIMUM POWER*	110 W	FREE AIR RESONANCE	42 Hz
CHARACTERISTIC SENSITIVITY (1W, 1m)	90 dB SPL	MOVING MASS	7.0 g
OPERATING POWER (96 dB SPL, 1 m)	4.0 W	AIR LOAD MASS IN IEC BAFFLE	0.5 g
VOICE COIL DIAMETER	26 mm	SUSPENSION COMPLIANCE	2.1 mm/N
VOICE COIL HEIGHT	12 mm	SUSPENSION MECHANICAL RESISTANCE	2.5 Ns/m
AIR GAP HEIGHT	6.0 mm	EFFECTIVE PISTON AREA	80 sq.cm
LINEAR COIL TRAVEL (p-p)	6.0 mm		
MAXIMUM COIL TRAVEL (p-p)	---	VAS	17.2 Litres
MAGNETIC GAP FLUX DENSITY	1.15 T	QMS	0.79
MAGNET WEIGHT	0.42 Kg	QES	0.27
TOTAL WEIGHT	1.21 Kg	QTS	0.20

* IEC 268-5, VIA HIGH PASS BUTTERWORTH FILTEI 250Hz 6 dB/oct.