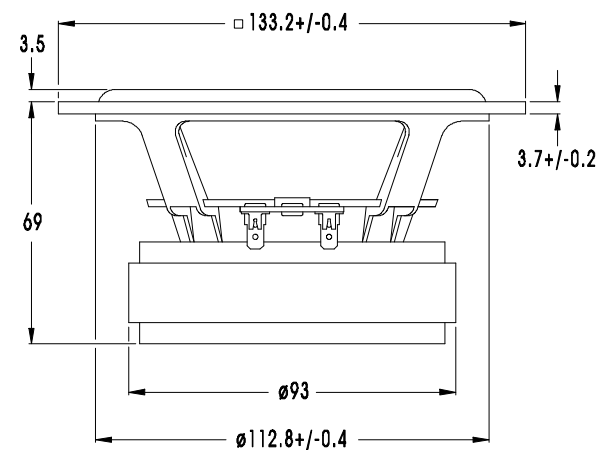
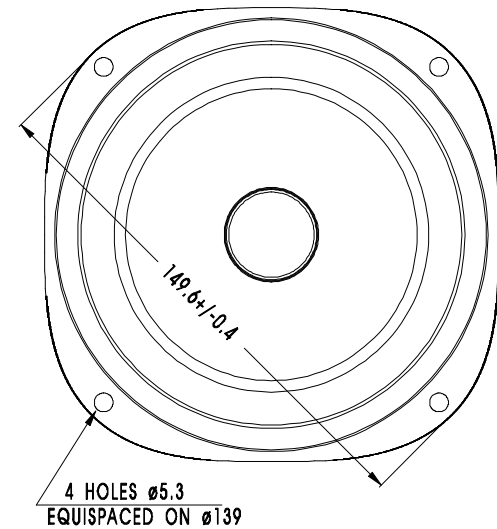


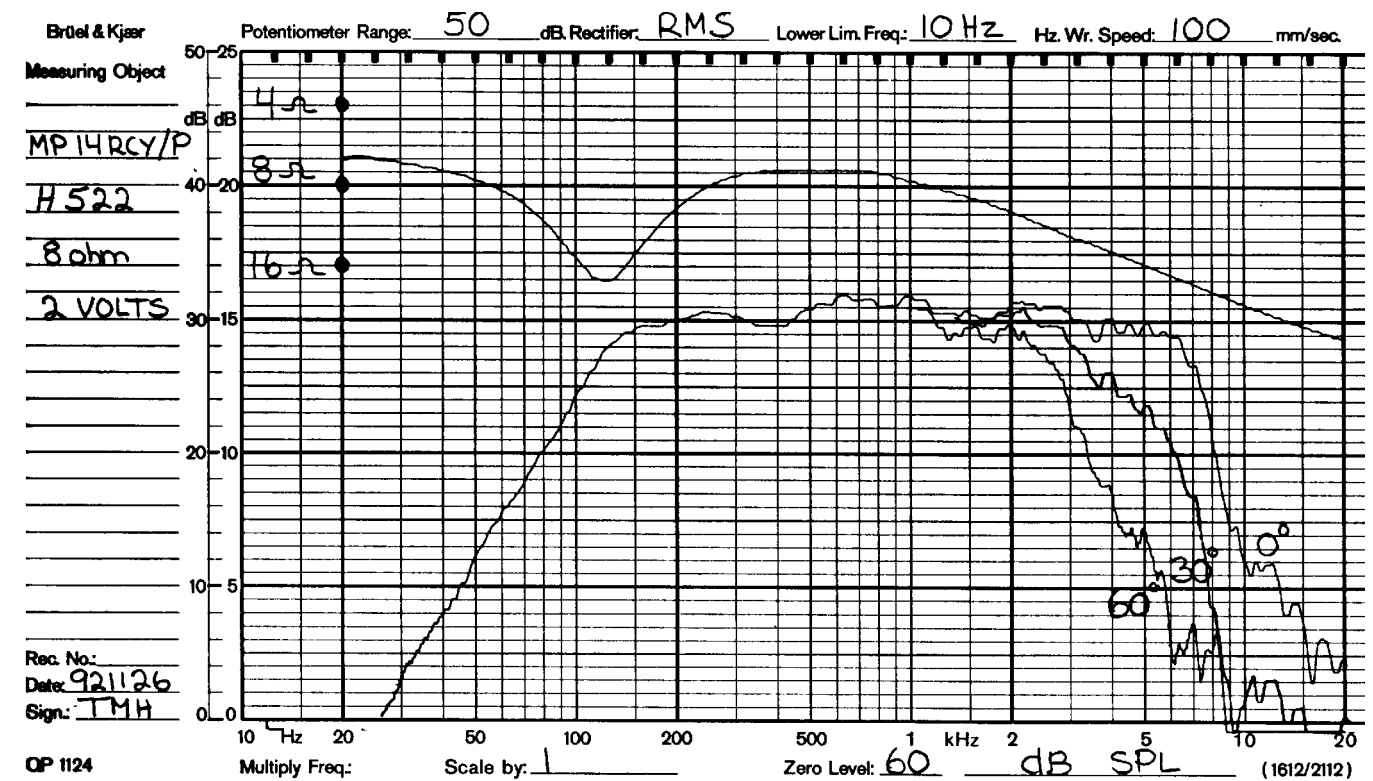
MIDRANGE MP14RCY/P



MP14RCY/P is a 5" High Fidelity midrange unit with a stiff and stable injection moulded metal chassis. Careful matching of the polypropylene based cone, the high loss rubber surround and the bullet shaped phase plug has resulted in a well behaved frequency response, even in the upper roll off region. A high temperature voice coil wound on an aluminium voice coil former gives a high power handling capacity. Thanks to this and excellent linearity, the unit will perform well even far down into the bass region. The phase plug gives high power handling capacity, low compression due to temperature variations in the voice coil and eliminates resonances which would otherwise occur in the volume between the dust cap and the pole piece. The MP14RCY/P is equipped with a heavy magnet structure for improved efficiency and voice coil control. A rear enclosure with optimized shape and volume is available.

NOTES

Response curve recorded in anechoic chamber (Free-field, 4 pi radiation) with 0.5m microphone distance. The loudspeaker with a 1.7 l rear chamber is mounted in a standard IEC baffle.



NOMINAL IMPEDANCE	8 Ohms	VOICE COIL RESISTANCE	5.7 Ohms
RECOMMENDED FREQUENCY RANGE	100-4000 Hz	VOICE COIL INDUCTANCE (EQUIVALENT)	0.65 mH
SHORT TERM MAXIMUM POWER *	400 W	FORCE FACTOR	6.6 N/A
LONG TERM MAXIMUM POWER*	120 W	FREE AIR RESONANCE	43 Hz
CHARACTERISTIC SENSITIVITY (1W, 1m)	90 dB SPL	MOVING MASS	6.0 g
OPERATING POWER (96 dB SPL, 1 m)	4.0 W	AIR LOAD MASS IN IEC BAFFLE	0.5 g
VOICE COIL DIAMETER	26 mm	SUSPENSION COMPLIANCE	2.1 mm/N
VOICE COIL HEIGHT	12 mm	SUSPENSION MECHANICAL RESISTANCE	2.0 Ns/m
AIR GAP HEIGHT	6.0 mm	EFFECTIVE PISTON AREA	75 sq.cm
LINEAR COIL TRAVEL (p-p)	6.0 mm		
MAXIMUM COIL TRAVEL (p-p)	---	VAS	16.6 Litres
MAGNETIC GAP FLUX DENSITY	1.15 T	QMS	0.88
MAGNET WEIGHT	0.42 Kg	QES	0.23
TOTAL WEIGHT	1.21 Kg	QTS	0.18

* IEC 268-5, VIA HIGH PASS BUTTERWORTH FILTEI 250 Hz 6 dB/oct.