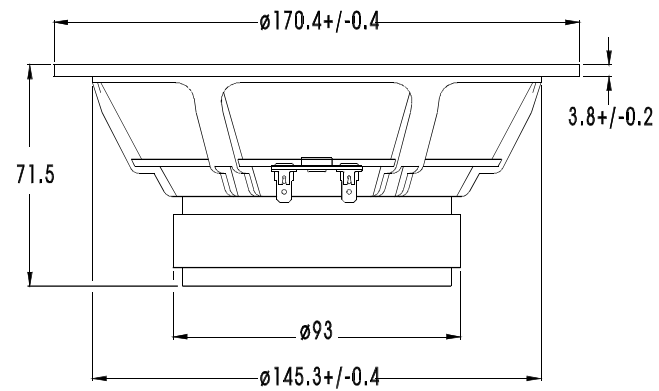
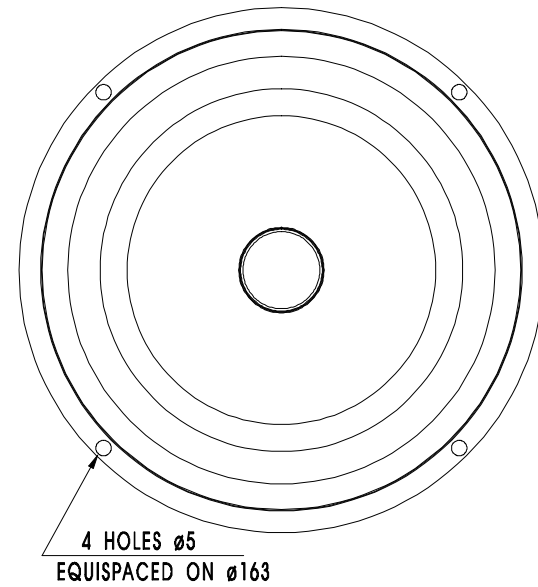


WOOFER

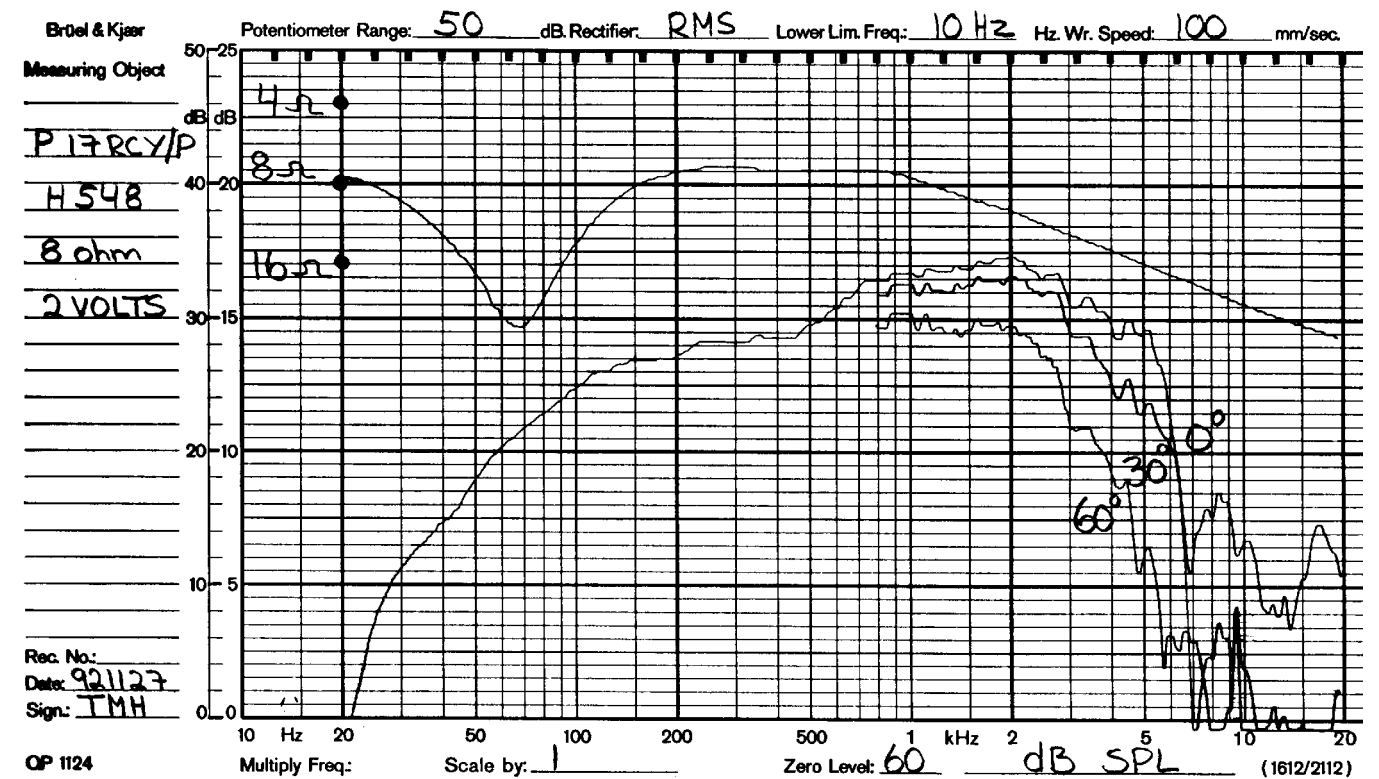
P17RCY/P



P17RCY/P is a 6,5" High Fidelity woofer with an injection moulded metal chassis, intended for bass reflex and transmission line designs. A specially compounded polypropylene cone, a bullet shaped phase plug and a high loss rubber surround yield smooth and uncoloured response and high consistency. A high temperature voice coil wound on an aluminium voice coil former gives a high power handling capacity. The phase plug reduces compression due to temperature variations in the voice coil, eliminates resonances that would occur in the volume between the dust cap and the pole piece and increases the power handling capacity. The large magnet system provides high efficiency and low Q.

NOTES

Response curve recorded in anechoic chamber (Free-field, 4 pi radiation) with 0.5m microphone distance. The loudspeaker is mounted in a closed box of 12 l net volume.



NOMINAL IMPEDANCE	8 Ohms	VOICE COIL RESISTANCE	5.7 Ohms
RECOMMENDED FREQUENCY RANGE	40-4000 Hz	VOICE COIL INDUCTANCE (EQUIVALENT)	0.65 mH
SHORT TERM MAXIMUM POWER *	250 W	FORCE FACTOR	7.0 N/A
LONG TERM MAXIMUM POWER *	75 W	FREE AIR RESONANCE	36 Hz
CHARACTERISTIC SENSITIVITY (1W,1m)	91 dB SPL	MOVING MASS	10 g
OPERATING POWER (96 dB SPL ,1 m)	3.2 W	AIR LOAD MASS IN IEC BAFFLE	1.0 g
		SUSPENSION COMPLIANCE	1.8 mm/N
VOICE COIL DIAMETER	26 mm	SUSPENSION MECHANICAL RESISTANCE	2.0 Ns/m
VOICE COIL HEIGHT	12 mm	EFFECTIVE PISTON AREA	125 sq.cm
AIR GAP HEIGHT	6.0 mm		
LINEAR COIL TRAVEL (p-p)	6.0 mm		
MAXIMUM COIL TRAVEL (p-p)	16 mm	VAS	38.9 Litres
MAGNETIC GAP FLUX DENSITY	1.25 T	QMS	1.24
MAGNET WEIGHT	0.42 Kg	QES	0.29
TOTAL WEIGHT	1.41 Kg	QTS	0.23

* = IEC 268-5