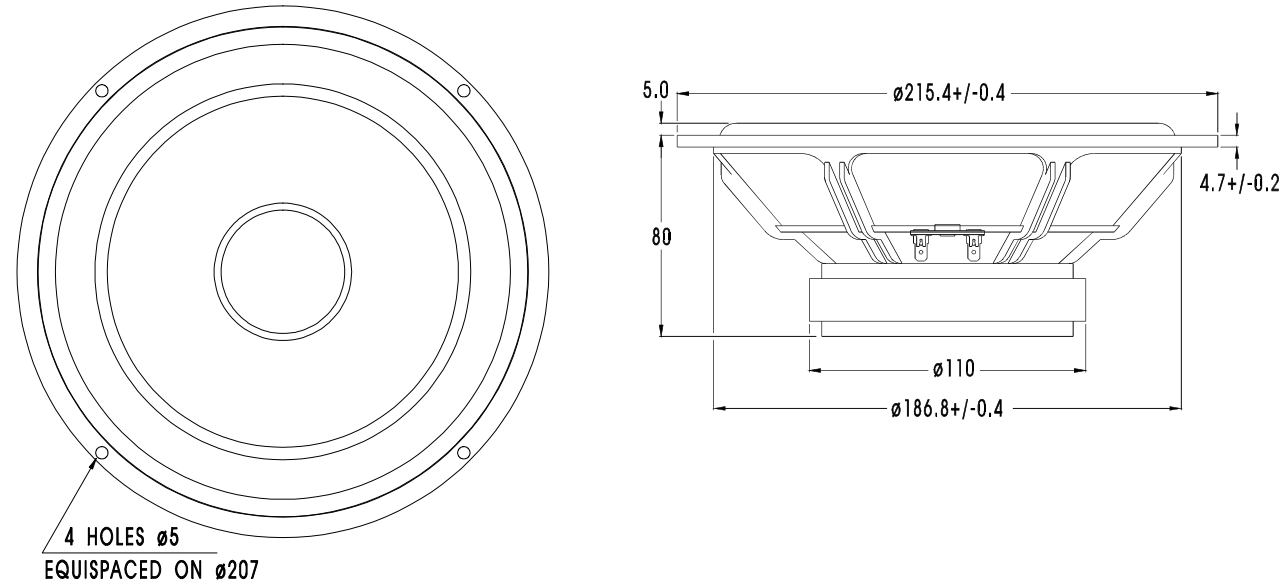


WOOFER

P21RE4X/DC

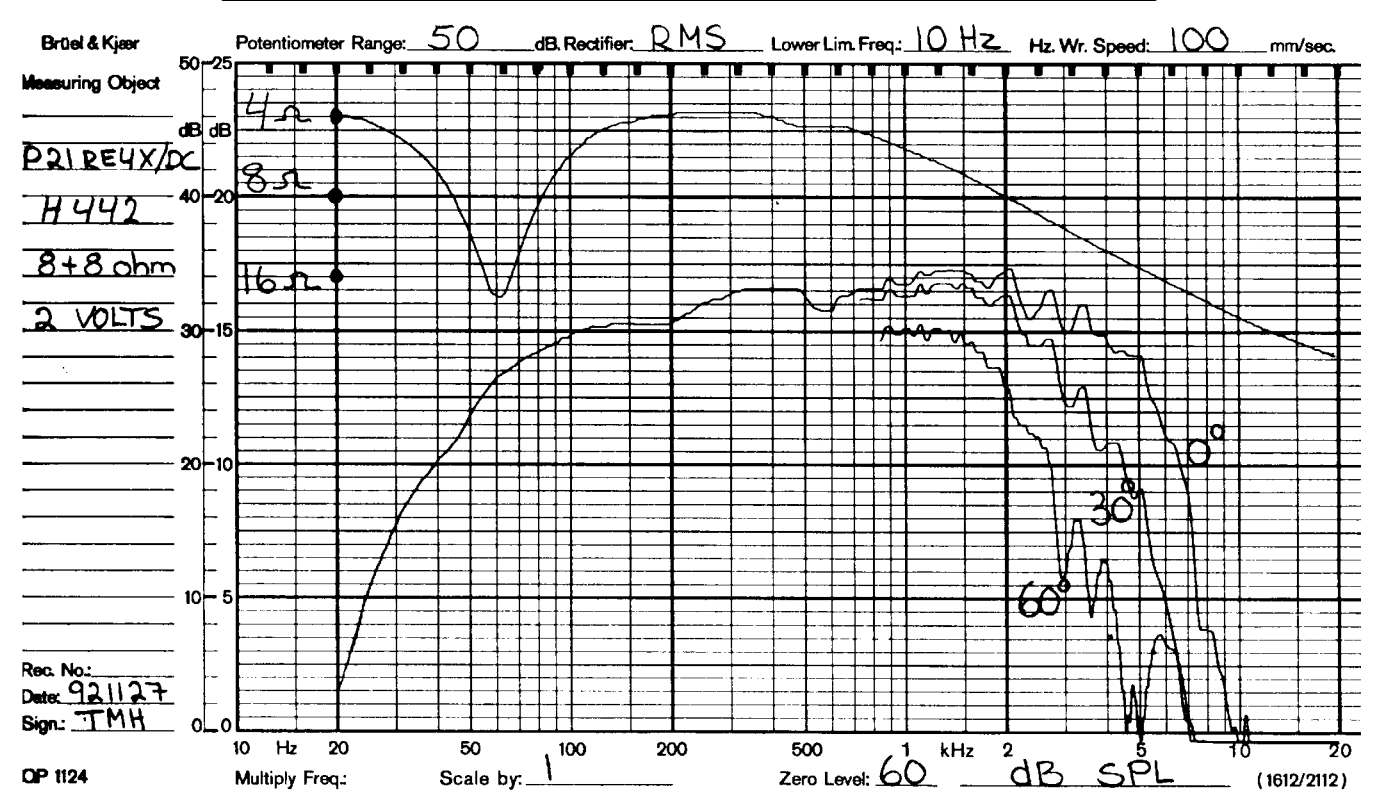


P21RE4X/DC is an 8" High Fidelity woofer with an injection moulded metal chassis. Careful matching between a polypropylene cone, a soft PVC dust cap and a low loss rubber surround yields a smooth frequency response with a well behaved roll off. The magnet system has a T shaped cross section of the pole piece for low modulation distortion.

A relatively large voice coil diameter gives a high power handling capacity. The double 2 layer voice coil with separate terminals makes it usable as a common woofer with two satellite speakers, taking two stereo signals below e.g. 150 Hz. This unit also offers new possibilities in response shaping when used as a woofer in a one channel speaker.

NOTES

Response curve recorded in anechoic chamber (Free-field, 4 pi radiation) with 0.5m microphone distance. The loudspeaker is mounted in a closed box of 20 l net volume.



NOMINAL IMPEDANCE	8/8 Ohms	VOICE COIL RESISTANCE	2.8 Ohms
RECOMMENDED FREQUENCY RANGE	32-2500 Hz	VOICE COIL INDUCTANCE (EQUIVALENT)	0.5 mH
SHORT TERM MAXIMUM POWER *	250 W	FORCE FACTOR	6.9 N/A
LONG TERM MAXIMUM POWER *	90 W	FREE AIR RESONANCE	31 Hz
CHARACTERISTIC SENSITIVITY (1W,1m)	90 dB SPL	MOVING MASS	27.4 g
OPERATING POWER (96 dB SPL, 1m)	4.0 W	AIR LOAD MASS IN IEC BAFFLE	2.0 g
VOICE COIL DIAMETER	39 mm	SUSPENSION COMPLIANCE	1.0 mm/N
VOICE COIL HEIGHT	12 mm	SUSPENSION MECHANICAL RESISTANCE	1.6 Ns/m
AIR GAP HEIGHT	6.0 mm	EFFECTIVE PISTON AREA	230 sq.cm
LINEAR COIL TRAVEL (p-p)	6.0 mm		
MAXIMUM COIL TRAVEL (p-p)	20 mm	VAS	66.4 Litres
MAGNETIC GAP FLUX DENSITY	0.9 T	QMS	3.58
MAGNET WEIGHT	0.64 Kg	QES	0.34
TOTAL WEIGHT	1.89 Kg	QTS	0.30

The above data is obtained with the coils connected in parallel

* = IEC 268-5