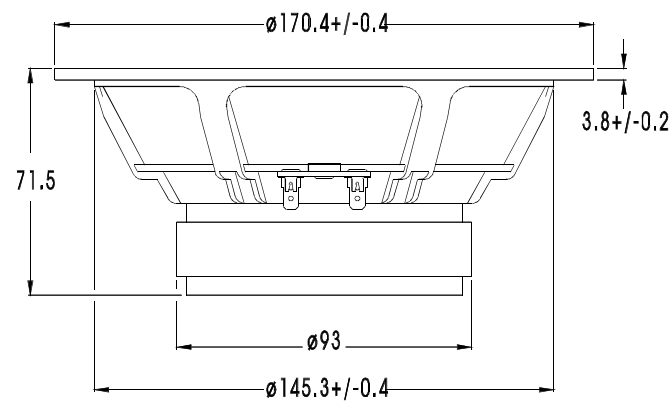
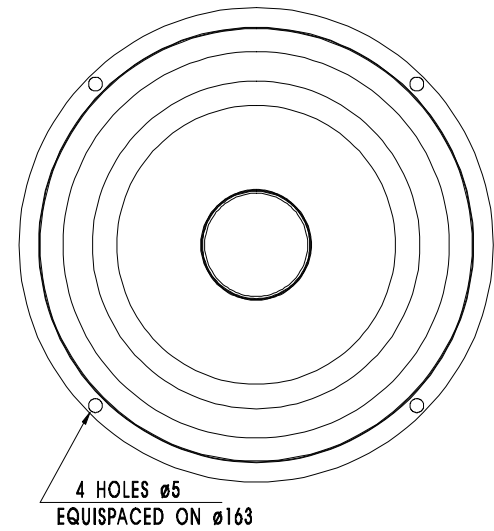




WOOFER

W17E-002

E 009



The W17E-002 is a 6,5" cone driver developed for use as a high fidelity Woofer or Woofer/Midrange unit. The extremely stiff, yet light cone gives tremendous bass precision and midrange detail.

SPECIAL FEATURES:

Precision cast and surface treated magnesium cone coupled to a natural rubber surround showing no sign of midrange (edge) resonances.

Perfectly matched moving parts for a smooth, extended frequency response.

Heavy copper rings mounted above and below the T-shaped pole piece, to reduce non linear and modulation distortion and increase overload margin.

Copper plating of the top and bottom plates and a solid copper phase plug, which enhance the performance of the copper rings and improve heat conduction away from the pole piece.

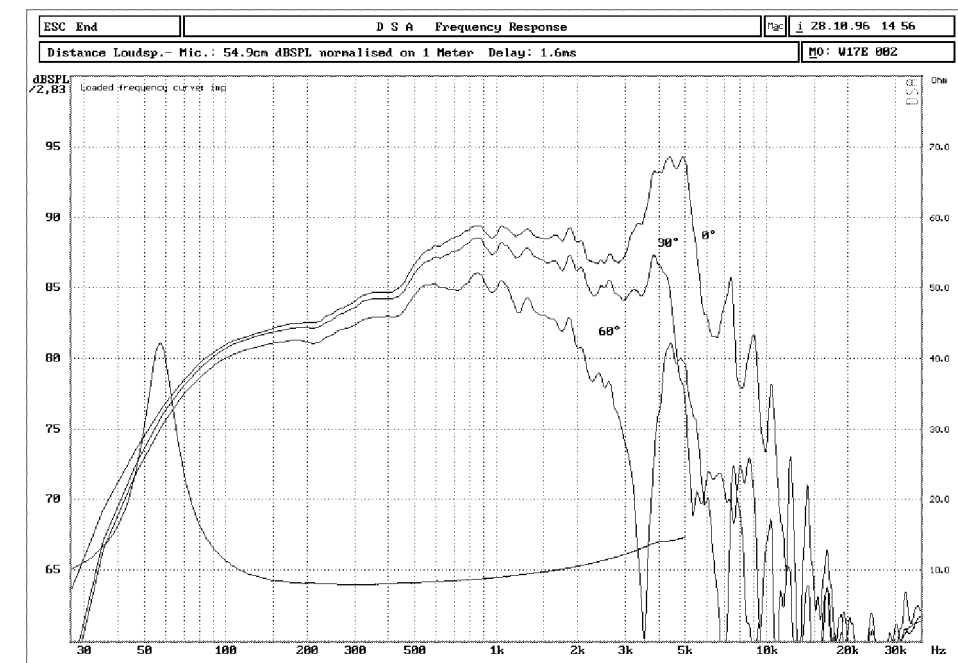
Gold plated terminals mounted on a stiff bakelite plate to reduce contact resistance and improve reliability.

Stiff and stable injection moulded metal basket to keep the critical components in perfect alignment.

NOMINAL IMPEDANCE	8 Ohms	VOICE COIL RESISTANCE	6,4 Ohms
RECOMMENDED FREQUENCY RANGE	40-2500 Hz	VOICE COIL INDUCTANCE (EQUIVALENT)	0,40 mH
SHORT TERM MAXIMUM POWER *	250 W	FORCE FACTOR	7,8 N/A
LONG TERM MAXIMUM POWER*	100 W	FREE AIR RESONANCE	34 Hz
CHARACTERISTIC SENSITIVITY (1W, 1m)	87 dB SPL	MOVING MASS	15,5 g
OPERATING POWER (96 dB SPL ,1 m)	8,0 W	AIR LOAD MASS IN IEC BAFFLE	1,0 g
VOICE COIL DIAMETER	39 mm	SUSPENSION COMPLIANCE	1,4 mm/N
VOICE COIL HEIGHT	14 mm	SUSPENSION MECHANICAL RESISTANCE	1,5 Ns/m
AIR GAP HEIGHT	6,0 mm	EFFECTIVE PISTON AREA	126 sq.cm
LINEAR COIL TRAVEL (p-p)	8,0 mm	VAS	29,5 Litres
MAXIMUM COIL TRAVEL (p-p)	19 mm	QMS	2,40
MAGNETIC GAP FLUX DENSITY	0,88 T	QES	0,37
MAGNET WEIGHT	0,42 Kg	QTS	0,32
TOTAL WEIGHT	1,63 Kg		

* IEC 268-5

Response curve recorded in anechoic chamber (Free-field, 4 pi radiation) with 0.5m microphone distance.
The loudspeaker is mounted in a closed box of 12 l net. volume



Distortion on axis in % between 25 and 2000 Hz at operating power.

