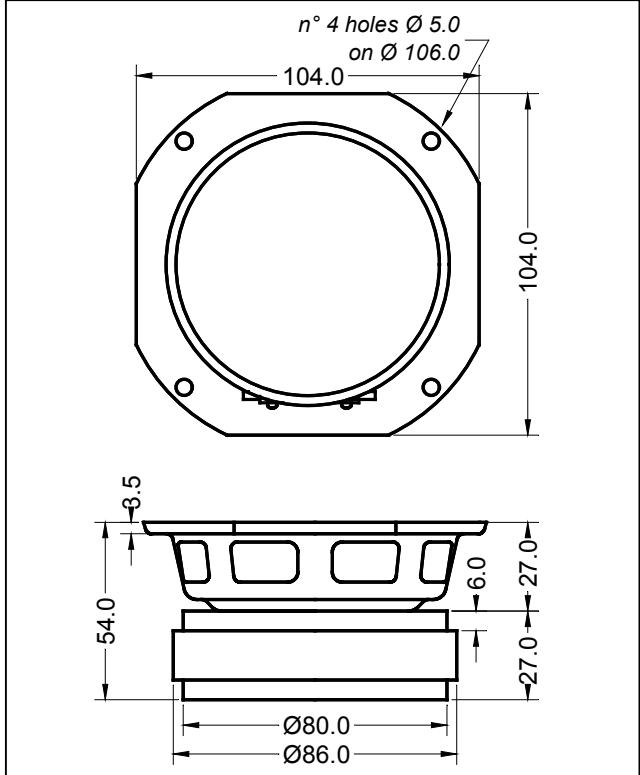


4" - 120W Extended Range
LP 104.25/ 380 T 4 Ω
Code Z001802

GENERAL CHARACTERISTICS		
Nominal Overall Diameter	104	mm
Nominal Voice Coil Diameter	25	mm
Magnet Weight	380	g
Flux Density.....	1.10	T
Weight.....	0.95	Kg

ELECTRICAL CHARACTERISTICS		
Nominal Impedance.....	4	Ω
Musical Power	120	W
Rated Power*	60	W
Sensitivity @ 1 W, 1 m	89.1	dB

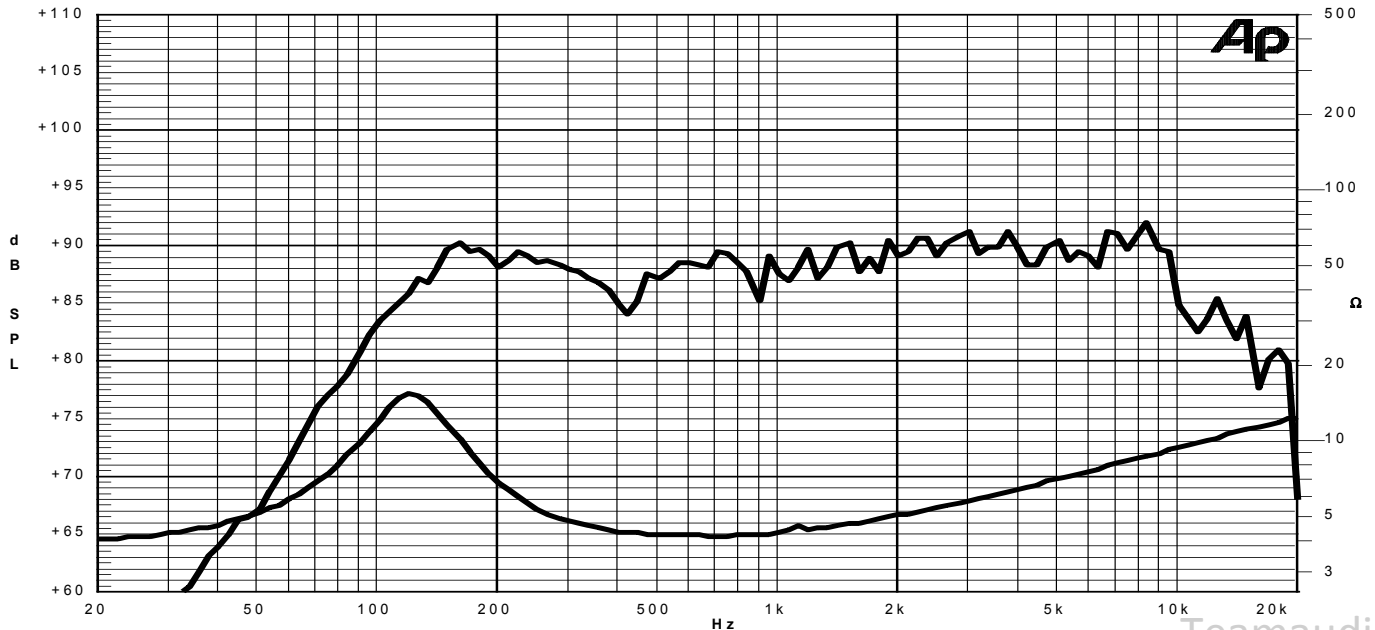
THIELE-SMALL PARAMETERS		
Voice Coil DC Resistance	R_E	3.47 Ω
Resonance Frequency	f_s	127.7 Hz
Mechanical Q Factor.....	Q_{MS}	1.86
Electrical Q Factor.....	Q_{ES}	0.62
Total Q Factor	Q_{TS}	0.47
Mechanical Moving Mass	M_{MS}	3.1 g
Mechanical Compliance	C_{MS}	501 μm/N
Force Factor	$B \times l$	3.73 Wb/m
Equivalent Acoustic Volume.....	V_{AS}	1.4 lt.
Maximum Linear Displacement	X_{MAX}	+/-1.3 mm
Reference Efficiency	η_0	0.44 %
Diaphragm Area	S_D	44.1 cm ²
Losses Electrical Resistance.....	R_{ES}	10.4 Ω
Voice Coil Inductance @ 1kHz	L_E	0.08 mH



CONSTRUCTIVE CHARACTERISTICS	
Magnet.....	Ferrite
Voice Coil Winding.....	Copper
Voice Coil Former.....	Aluminium
Cone	Paper
Surround.....	Treated Cloth
Dust Dome	Polypropylene Ogive
Basket	Pressed Sheet Steel

*rated power measured with 2 hours test with pink noise signal, 6 dB crest factor, loudspeaker mounted on enclosure

Frequency Response on IEC Baffle (DIN 45575) @ 1 W, 1 m - Impedance



Due to continuing product improvement, the features and the design are subject to change without notice. 03/09/08