

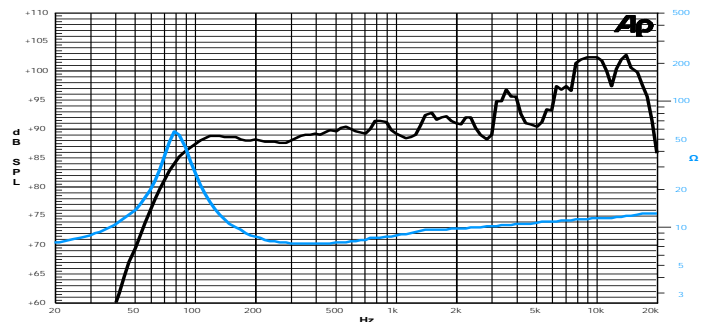
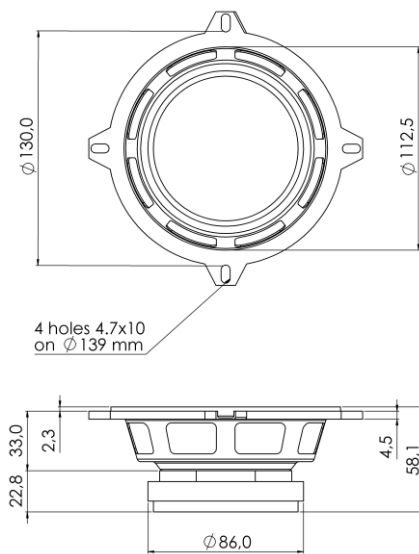
5 D 1 CS 8Ω

5" | 120 W

Code Z002400

Dual Cone

- 1" voice coil Epotex former
- Dual Cone
- WpT Waterproof Cone Treatment
- CDR Ferrite Magnet Circuit with Copper Demodulating Ring
- 90.0 dB sensitivity
- Frequency Range 80-18000 Hz



Frequency Response on 10 Lt @ 75 Hz Vented Box @ 1W, 1m
Free Air Impedance

General Specifications

Nominal Diameter	129 mm (5")
Nominal Impedance	8 Ω
Rated Power AES ⁽¹⁾	60 W
Continuous Program Power ⁽²⁾	120 W
Sensitivity @ 1W/1m ⁽³⁾	90.0 dB
Voice Coil Diameter	25 mm (1")
Voice Coil Winding Depth	9 mm
Magnetic Gap Depth	6 mm
Flux Density	0.95 T
Magnet Weight	280 g
Net Weight	0.9 kg

Thiele & Small Parameters⁽⁴⁾

R_e	6.0 Ω	F_s	79.0 Hz
Q_{ms}	4.95	Q_{es}	0.58
Q_{ts}	0.52	M_{ms}	6.4 g
C_{ms}	634 μm/N	B_{xl}	5.73 Tm
V_{as}	5.5 l	S_d	78.5 cm ²
$X_{max}^{(5)}$	+/-3.0 mm	$X_{var}^{(6)}$	+/-4.5 mm
η_0	0.45 %	L_e (1kHz)	0.33 mH

Constructive Characteristics

Magnet	Ferrite
Basket Material	Pressed Sheet Steel
Voice Coil Winding Material	Copper
Voice Coil Former Material	Epotex
Cone Material	Paper
Cone Treatment	Surface Waterproof Treatment
Surround Material	Rubber
Dust Dome Material	Non Treated Cloth

Mounting Information

Overall Diameter	130 mm
Baffle Cutout Diameter	113 mm
Mounting Holes	4 holes 4,7x10 on ø139 mm
Total Depth	58.1 mm

(1) Rated Power measured with 2-hour test with pink noise signal, 6dB crest factor, loudspeaker in free air, power calculated on rated Zmin. (2) Power on Continuous Program is defined as 3dB greater than the Rated Power. (3) Calculated by Thiele & Small parameters, for SPL average in box refer to frequency response. (4) Thiele & Small parameters measured with laser system after preconditioning test. (5) Measured with respect to a THD of 10%. (6) Value corresponding to a decay of the Force Factor, or Compliance, or both, equal to the 50% of the small signal value. (7) Drawing dimensions: mm.