

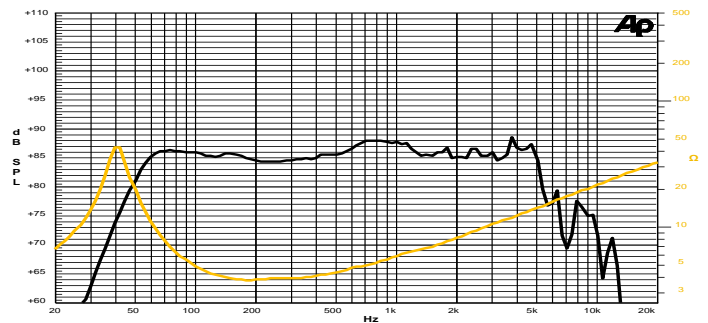
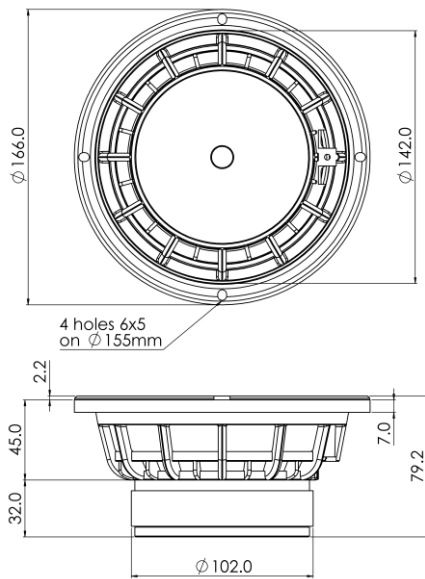
## 6 H 1,5 CP 4Ω

Studio Monitor

6" | 240 W

Code Z004039

- 1,5" voice coil Kapton former
- PS Spider with Progressive Waves
- DAR Rubber surround with Double Asymmetric Rolls Technology (DAR)
- DT Damping Cone Treatment
- Ferrite Magnet Circuit
- VM Ventilated Magnet to reduce Power Compression
- 88.5 dB sensitivity
- Frequency Range 40-4500 Hz



Frequency Response on 18 Lt @ 50 Hz Vented Box @ 1W, 1m  
Free Air Impedance

### General Specifications

Nominal Diameter	166 mm (6")
Nominal Impedance	4 Ω
Rated Power AES <sup>(1)</sup>	120 W
Continuous Program Power <sup>(2)</sup>	240 W
Sensitivity @ 1W/1m <sup>(3)</sup>	88.5 dB
Voice Coil Diameter	38 mm (1,5")
Voice Coil Winding Depth	14 mm
Magnetic Gap Depth	6 mm
Flux Density	0.91 T
Magnet Weight	515 g
Net Weight	1.6 kg

### Thiele & Small Parameters <sup>(4)</sup>

Re	3.0 Ω	Fs	42.0 Hz
Qms	5.39	Qes	0.38
Qts	0.36	Mms	17.9 g
Cms	802 μm/N	Bxl	6.09 Tm
Vas	17.2 l	Sd	122.7 cm <sup>2</sup>
X max <sup>(5)</sup>	+/-6.0 mm	X var <sup>(6)</sup>	+/-9.0 mm
η <sub>o</sub>	0.32 %	Le (1kHz)	0.48 mH

### Constructive Characteristics

Magnet	Ferrite
Basket Material	Aluminium Die-Cast
Voice Coil Winding Material	Copper
Voice Coil Former Material	Kapton
Cone Material	Paper
Cone Treatment	Surface Damping Treatment
Surround Material	Rubber
Dust Dome Material	Solid Paper

### Mounting Information

Overall Diameter	166 mm
Baffle Cutout Diameter	143 mm
Mounting Holes	4 holes 5x6 on ø155 mm
Total Depth	79.2 mm

<sup>(1)</sup> Rated Power measured with 2-hour test with pink noise signal, 6dB crest factor, loudspeaker in free air, power calculated on rated Zmin. <sup>(2)</sup> Power on Continuous Program is defined as 3dB greater than the Rated Power. <sup>(3)</sup> Calculated by Thiele & Small parameters, for SPL average in box refer to frequency response. <sup>(4)</sup> Thiele & Small parameters measured with laser system after preconditioning test. <sup>(5)</sup> Measured with respect to a THD of 10%. <sup>(6)</sup> Value corresponding to a decay of the Force Factor, or Compliance, or both, equal to the 50% of the small signal value. <sup>(7)</sup> Drawing dimensions: mm.