

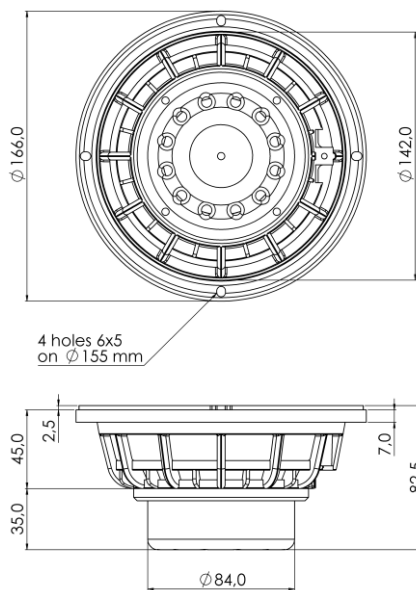
6 M 2 PL 8Ω

6" | 400 W

Code Z004078

Midrange

- 2" voice coil Kapton former and Aluminium Winding
- PS Konex Spider with Progressive Waves
- WpT Waterproof Cone Treatment
- Neodymium Magnet Circuit
- VMVc Ventilated Magnet and Voice Coil to reduce Power Compression
- 94.4 dB sensitivity
- Frequency Range 120-6000 Hz

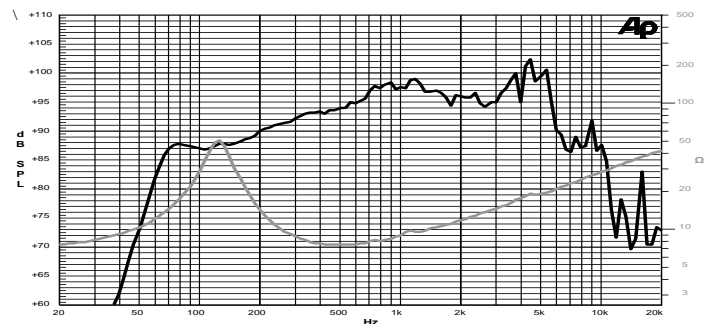


General Specifications

Nominal Diameter	166 mm (6")
Nominal Impedance	8 Ω
Rated Power AES ⁽¹⁾	200 W
Continuous Program Power ⁽²⁾	400 W
Sensitivity @ 1W/1m ⁽³⁾	94.4 dB
Voice Coil Diameter	50 mm (2")
Voice Coil Winding Depth	10 mm
Magnetic Gap Depth	8 mm
Flux Density	1.20 T
Magnet Weight	200 g
Net Weight	1.5 kg

Thiele & Small Parameters ⁽⁴⁾

Re	6.0 Ω	Fs	120.4 Hz
Qms	4.84	Qes	0.51
Qts	0.46	Mms	12.4 g
Cms	140 μm/N	Bxl	10.60 Tm
Vas	3.8 l	Sd	138.9 cm ²
X max ⁽⁵⁾	+/-2.0 mm	X var ⁽⁶⁾	+/-4.0 mm
η _o	1.27 %	Le (1kHz)	0.53 mH



Frequency Response on 18 Lt @ 70 Hz Vented Box @ 1W, 1m
Free Air Impedance

Constructive Characteristics

Magnet	Neodymium
Basket Material	Aluminium Die-Cast
Voice Coil Winding Material	Aluminium
Voice Coil Former Material	Kapton
Cone Material	Paper
Cone Treatment	Surface Waterproof Treatment
Surround Material	Treated Cloth
Dust Dome Material	Solid Paper

Mounting Information

Overall Diameter	166 mm
Baffle Cutout Diameter	143 mm
Mounting Holes	4 holes 6x5 on ø155 mm
Total Depth	82.5 mm

⁽¹⁾ Rated Power measured with 2-hour test with pink noise signal, 6dB crest factor, loudspeaker in free air, power calculated on rated Zmin. ⁽²⁾ Power on Continuous Program is defined as 3dB greater than the Rated Power. ⁽³⁾ Calculated by Thiele & Small parameters, for SPL average in box refer to frequency response. ⁽⁴⁾ Thiele & Small parameters measured with laser system after preconditioning test. ⁽⁵⁾ Measured with respect to a THD of 10%. ⁽⁶⁾ Value corresponding to a decay of the Force Factor, or Compliance, or both, equal to the 50% of the small signal value. ⁽⁷⁾ Drawing dimensions: mm.