

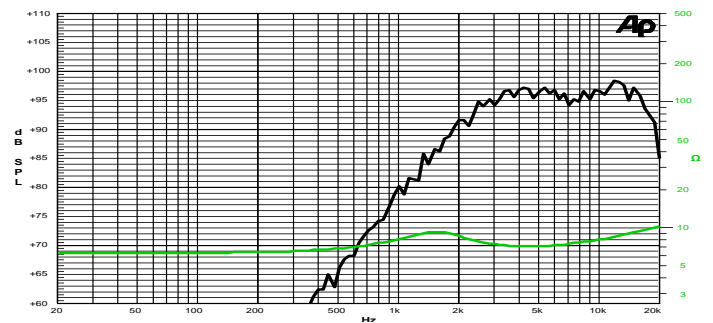
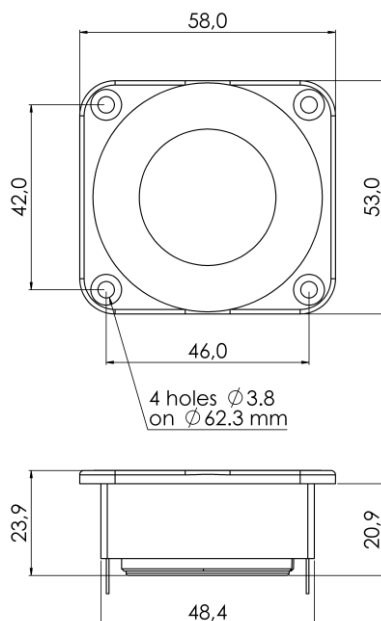
## LP 53x58.28/N20 TW 8Ω

Dome Tweeter

1,1" | 80 W

Code Z008985

- AIFW 1,1" voice coil Aluminium former and Aluminium Flat Wire
- TSD Treated Silk dome
- FF Ferrofluid in Air Gap
- Neodymium Magnet Circuit
- 95.8 dB sensitivity



Frequency Response on IEC Baffle (DIN 45575) @ 1W,1m – Free Air Impedance

### General Specifications

Nominal Dimensions	53x58 mm
Nominal Impedance	8 Ω
Rated Power AES <sup>(1)</sup>	20 W
Continuous Program Power <sup>(2)</sup>	40 W
Rated Noise Power (IEC 60268-5) <sup>(3)</sup>	80 W
Sensitivity @ 1W/1m <sup>(4)</sup>	95.8 dB
Voice Coil Diameter	28 mm (1,1")
Voice Coil Winding Depth	2.7 mm
Magnetic Gap Depth	2.0 mm
Flux Density	1.37 T
DC Resistance	6.0 Ω
Resonance Frequency	1.5 kHz
Magnet Weight	20 g
Net Weight	0.08 kg
Recommended Crossover Frequency	2.5 kHz

### Constructive Characteristics

Magnet	Neodymium
Voice Coil Winding Material	Aluminium Flat Wire
Voice Coil Former Material	Aluminium
Diaphragm	Treated Silk
Ferrofluid in Air Gap	Yes
Flange	Nylon Fiberglass Doped
Spare Part Code	-

### Mounting Information

Overall Diameter	53x58 mm
Baffle Cutout Diameter	49 mm
Mounting Holes	4 holes ø3,8 on ø62.3 mm
Total Depth	23.9 mm

(1) Rated Power measured with 2-hour test with pink noise signal, 6dB crest factor. (2) Power on Continuous Program is defined as 3dB greater than the Rated Power. (3) Rated Noise Power measured with 100 hours test pink noise, 6 dB crest factor IFC60268-5 filtering. (4) Measured at 1W, 1m in axis within the frequency range