

1" - 32W Compression Driver

CD 50x40.26/N35 TW 8 Ω

Code Z009435

GENERAL CHARACTERISTICS

Nominal Overall Diameter	50x40	mm
Nominal Voice Coil Diameter	25	mm
Magnet Weight	35	g
Flux Density.....	1.72	T
Weight.....	0.20	Kg

THIELE-SMALL PARAMETERS

Voice Coil DC Resistance	R_E	5.30	Ω
Resonance Frequency	f_s	1700	Hz

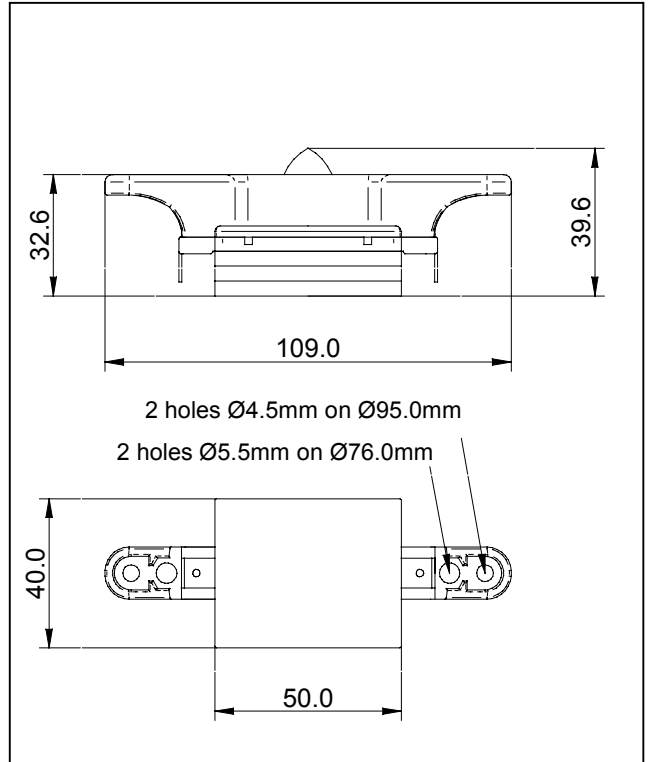
CONSTRUCTIVE CHARACTERISTICS

Magnet.....	Neodymium
Voice Coil Winding.....	Aluminium Flat Wire
Voice Coil Former.....	Kapton
Voice Coil Winding Height.....	1.7mm
Diaphragm	Tri-acetate Film
Air Gap Height.....	2.0mm
Ferrofluid in Air Gap	No
Throat Diameter	25mm
Horn.....	- - -

NOTES

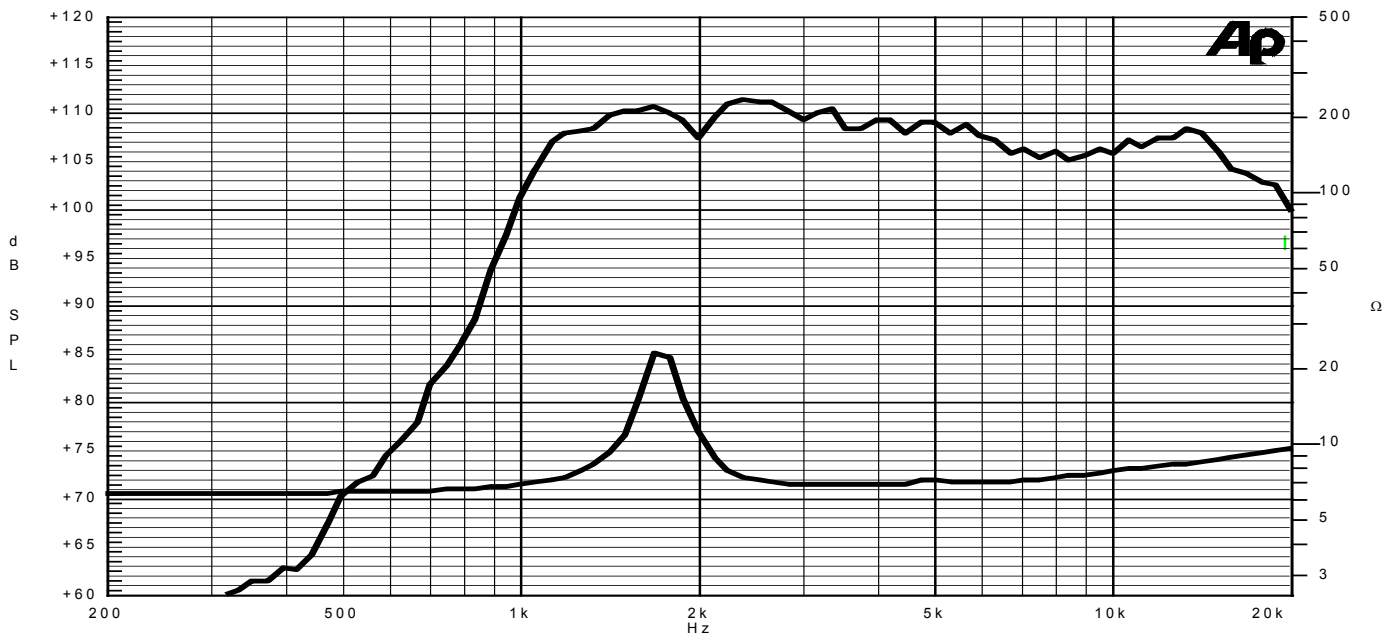
ELECTRICAL CHARACTERISTICS

Nominal Impedance.....	8	Ω
Musical Power	32	W
Rated Power*	16	W
Sensitivity @ 1 W, 1 m	106.9	dB



*rated power measured with 2 hours test with continuous pink noise signal, 6 dB crest factor, HP filter 3kHz-12dB/Oct

Free Air Frequency Response with 6x8 inches horn @ 1 W, 1 m - Impedance (without horn)



Due to continuing product improvement, the features and the design are subject to change without notice.

23/06/10