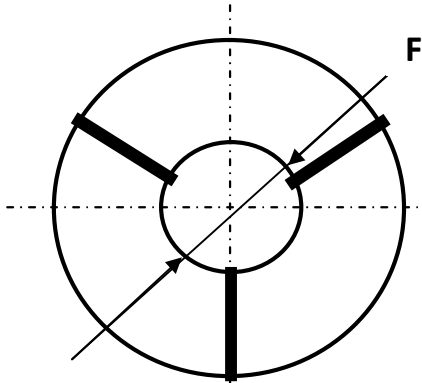


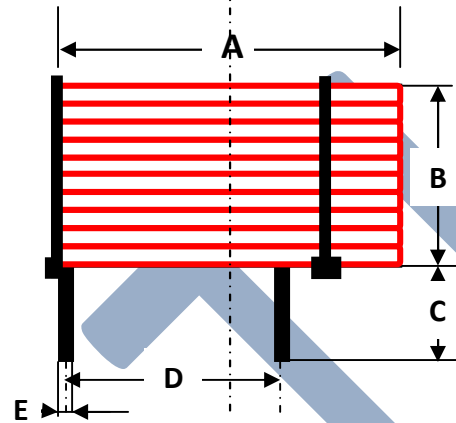
# L10-0.33

## Geometrical Dimensions



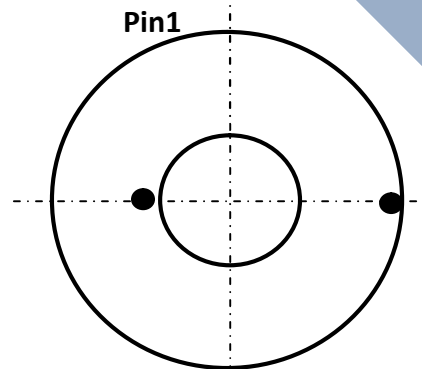
	A	B	C	D	E	F
Dimensions ( mm )	34.50	19.40	50	20	1.0	18.6
Tolérance ( mm )	+/- 1.0	+/- 1.0	+/- 1.0	+/-0.5	+/- 0.5	+/- 0.2

## Material & Construction



<b>Winding</b>	N1 = 139 turns, Enamaled copper wire, $\Phi$ 1.0 mm $\Phi$ 1.0 mm, Grade 2, Class H, V180
<b>Pin 1 and 2</b>	Must be tinned over length " C "
<b>Number collier</b>	"3" collier maintains
<b>Varnish</b>	Varnish for maintaining turns and unwinding

## Electrical Parameters



	Value	Tolérance	Testcondisiton
<b>Inductance ( mH )</b>	0.33	+/- 3%	1 kHz, 1V, 20C°
<b>DC Resistance ( <math>\Omega</math> )</b>	0.26	+/- 3%	20C°, 4 wires

### Real Air Core TLHP L10-0.33

SARL SON LUMIERE CONCEPT

10 RUE DU PASSAVENT - 35770 VERN SUR SEICHE

01

00

PG. 02/02/2014

Ind

UPDATE

Code :

Title : AUDIO SELF AIR COIL 0.33 mH – no coil former