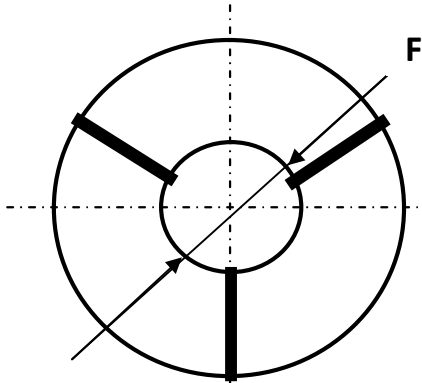


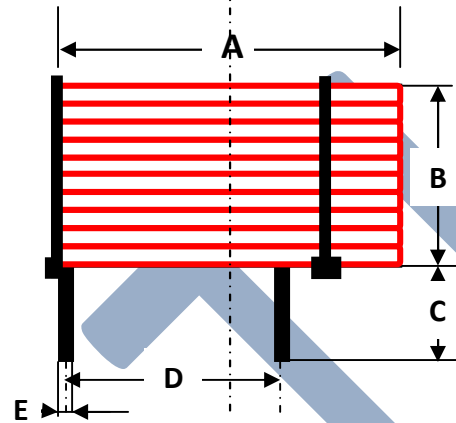
# L10-2.2

## Geometrical Dimensions



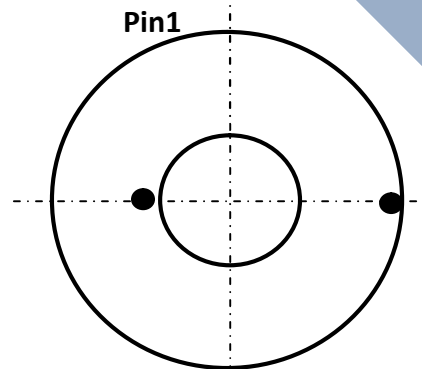
	A	B	C	D	E	F
Dimensions ( mm )	52.5	26.3	50	34.0	1.0	25.1
Tolérance ( mm )	+/- 1.0	+/- 1.0	+/- 1.0	+/-0.5	+/- 0.5	+/- 0.2

## Material & Construction



Winding	N1 =303 turns, Emaled copper wire, $\Phi$ 1.0mm $\Phi$ 1.0 mm, Grade 2, Class H, V180
Pin 1 and 2	Must be tinned over length " C "
Number collier	"3" collar maintains
Varnish	Varnish for maintaining turns and unwinding

## Electrical Parameters



	Value	Tolérance	Testcondisiton
Inductance ( mH )	2.20	+/- 3%	1 kHz, 1V, 20C°
DC Resistance ( $\Omega$ )	0.75	+/- 3%	20C°, 4 wires

### Real Air Core TLHP L10-2.2

SARL SON LUMIERE CONCEPT

10 RUE DU PASSAVENT - 35770 VERN SUR SEICHE

01		Code :	Title : AUDIO SELF AIR COIL 0.33 mH – no coil former
00	PG. 02/02/2014		
Ind	UPDATE		