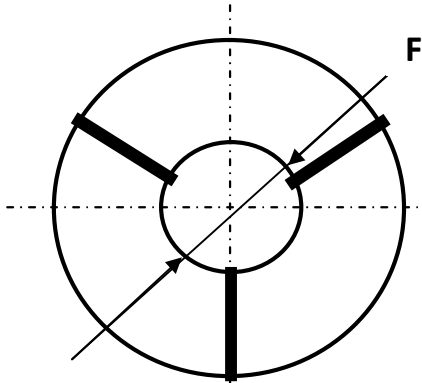


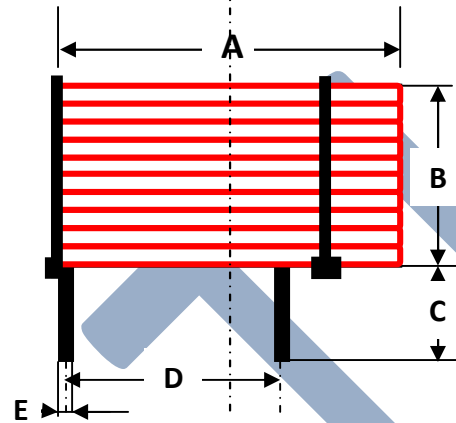
L7-0.39

Geometrical Dimensions



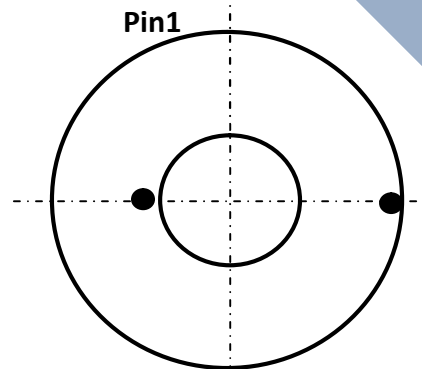
	A	B	C	D	E	F
Dimensions (mm)	28.60	18.60	50	19	0.71	18.9
Tolérance (mm)	+/- 1.0	+/- 1.0	+/- 1.0	+/-0.5	+/- 0.5	+/- 0.2

Material & Construction



Winding	N1 = 157 turns, Enamaled copper wire, $\Phi 0.71\text{mm}$ $\Phi 0.71$ mm, Grade 2, Class H, V180
Pin 1 and 2	Must be tinned over length " C "
Number collier	"3" collier maintains
Varnish	Varnish for maintaining turns and unwinding

Electrical Parameters



	Value	Tolérance	Testcondisiton
Inductance (mH)	0.39	+/- 3%	1 kHz, 1V, 20C°
DC Resistance (Ω)	0.50	+/- 3%	20C°, 4 wires

Real Air Core TLHP L7-0.39

SARL SON LUMIERE CONCEPT

10 RUE DU PASSAVENT - 35770 VERN SUR SEICHE

01

00

PG. 02/02/2014

Ind

UPDATE

Code :

Title : AUDIO SELF AIR COIL 0.33 mH – no coil former