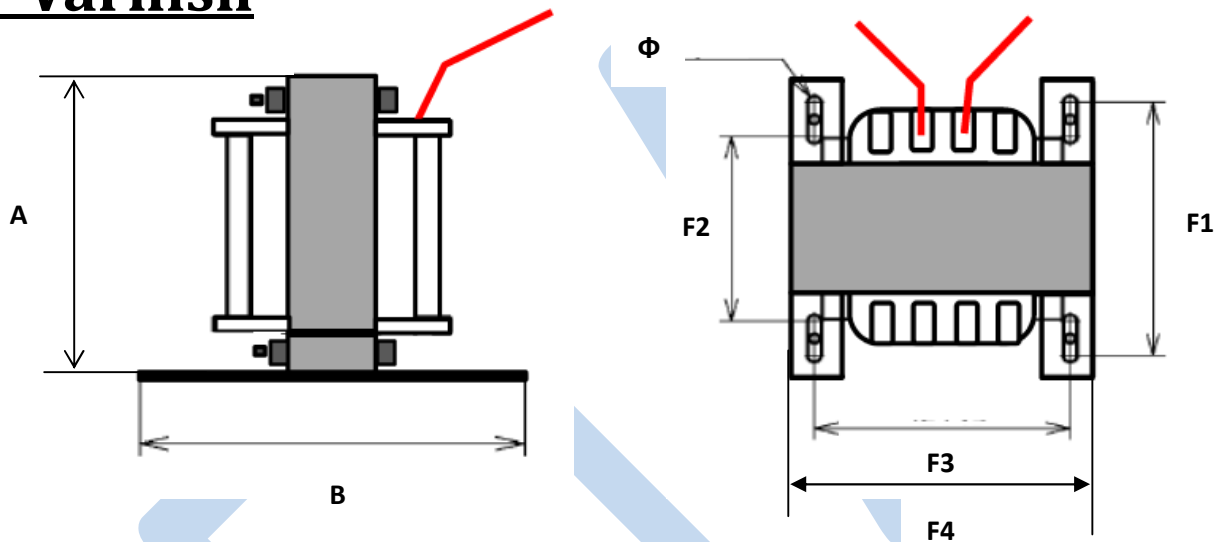




FERON-Core coil

SELF FERRON-Core
TLHP T18-18

Self Varnish



CODE	A	B	F1	F2	F3	F4	Φ	Φ/fil	RCC	CIRCUIT
T18-18	81.8	114.5	105	96	80.5	96	4.8	1.80	0.17	EI96

Courant de saturation (50 Hz) :

12 A

FERON-CORE Coil / SELF FER : 18 mH

01

00 PG. 01/07/2014

Ind UPDATE

Code : SELF FERON

Title : AUDIO SELF FERRON-CORE-Coil T18-18